



## E-WPE SERIES

Traditional Style LED Wall Pack  
Replaces up to 400W PSMH



### Discover Economical Greatness With This Traditional Style LED Wall Pack!

Our E-WPE Series Traditional Style LED Wall Pack is a great budget-friendly option to upgrade your outdoor lighting, without installation headaches and costly materials. It provides up to 80% energy savings, is ETL Listed and backed by our 5-year warranty.

#### Features & Benefits

- Mounts via j-box or surface conduit
- Polyester powder-coat finish provides corrosion protection for long lasting color
- UV resistant polycarbonate refractor lens
- 0-10V Dimmable

#### Recommended Use

- Entryways
- General Area Lighting
- Perimeter Lighting
- Storage Facilities

#### Input Voltage

- Universal (120V through 277V Operation)

#### Certifications

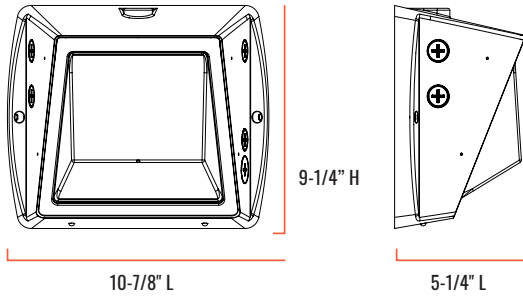


**WARNING:** Cancer and Reproductive Harm - [www.p65warnings.ca.gov](http://www.p65warnings.ca.gov)

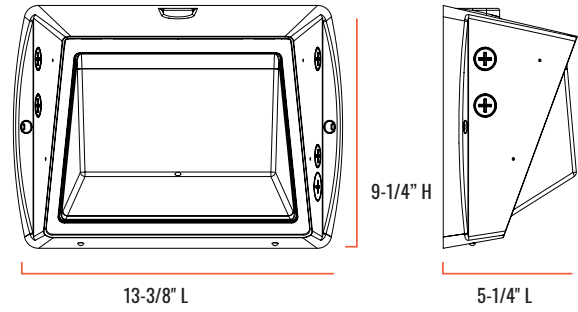


## E-WPE SERIES

### E-WPE04A - E-WPE07A



### E-WPE011A - E-WPE022A



## ✓ SERIES OVERVIEW

SKU	DIMENSIONS	PRODUCT WEIGHT	MOUNTING HEIGHT	SPACING
E-WPE04A-F50BZ	10-7/8" L x 9-1/4" W x 5-1/4" H	4.1 lbs.	10 to 15 feet	3-4 times the mounting height
E-WPE07A-F50BZ	10-7/8" L x 9-1/4" W x 5-1/4" H	4.1 lbs.	10 to 15 feet	
E-WPE11A-F50BZ	13-3/8" L x 9-7/8" W x 5-3/8" H	5.2 lbs.	15 to 25 feet	
E-WPE17A-F50BZ	13-3/8" L x 9-7/8" W x 5-3/8" H	5.3 lbs.	15 to 25 feet	
E-WPE22A-F50BZ	13-3/8" L x 9-7/8" W x 5-3/8" H	5.4 lbs.	15 to 25 feet	

## ✓ FIXTURE SPECIFICATIONS

HOUSING	Bronze, die-cast aluminum
LENS ASSEMBLY	UV resistant polycarbonate lens
MOUNTING	Able to mount via j-box or surface conduit

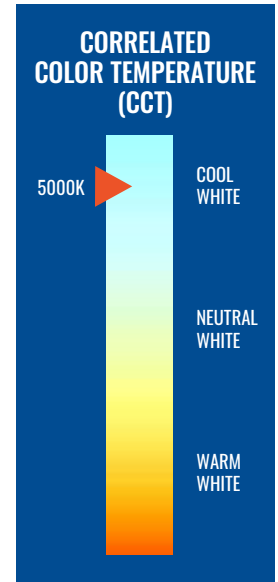
## ✓ WARRANTY & CERTIFICATIONS

WARRANTY	5-Year Limited
ETL LISTED	Wet locations
DLC	—

# E-WPE SERIES

## ELECTRICAL PERFORMANCE

OPERATING TEMPERATURE RANGE	LIFESPAN L70 AT 25°C (77°F)	POWER FACTOR	TOTAL HARMONIC DISTORTION	DIMMABLE
-40°F to 195°F (-40°C to 35°C)	Estimated >50,000 Hours	> 0.9	< 20%	0-10V to 10%
INPUT VOLTAGE Current Draw (Amps)	120V	208V	240V	277V
E-WPE04A-F50BZ	0.275A	0.159A	0.138A	0.119A
E-WPE07A-F50BZ	0.458A	0.26A	0.23A	0.2A
E-WPE11A-F50BZ	0.733A	0.42A	0.37A	0.32A
E-WPE17A-F50BZ	1.1A	0.63A	0.55A	0.48A
E-WPE22A-F50BZ	1.1A	0.63A	0.55A	0.48A



## OUTPUT SPECIFICATIONS

SKU	DISTRIBUTION TYPE	REPLACES	LIGHT OUTPUT	COLOR TEMP	POWER CONSUMPTION	COLOR ACCURACY	BUG RATINGS
E-WPE04A-F50BZ	Wide Distribution	100W MH	4371 Lumens	5000K	30W	≥ 70	B1-U3-G2
E-WPE07A-F50BZ		150W MH	6615 Lumens		50W		B2-U3-G2
E-WPE11A-F50BZ		320W MH	11,208 Lumens		80W		B2-U3-G3
E-WPE17A-F50BZ		400W MH	17,185 Lumens		120W		B3-U4-G4
E-WPE22A-F50BZ		400W PSMH	22,158 Lumens		150W		B3-U4-G5

© 2024 Cree Lighting USA LLC. All rights reserved. For informational purposes only. Content is subject to change. The savr logo is a registered trademark of e-conolight, LLC. The ETL Listed Intertek logo is a trademark of Intertek Testing Services NA, Inc.

e-conolight.com | Customer Service: 888-243-9445 | Fax: 262-504-5409  
1501 96th Street, Sturtevant, WI 53177

December 17, 2024 For informational purposes only. Content is subject to change.

