



E-TFP-D SERIES

LED Flat Panels w/ Field Selectable CCT & Wattage | Emergency Battery Backup Option | 2-Pack and Skid Pack Qty's Available
Replaces up to 4-Lamp F32T8

The Perfect Indoor Lighting Choice: Low Profile With Uniform Illumination

Our savr E-TFP-D Series Backlit LED Flat Panels come standard with field selectable CCT & Wattage, allowing for quick and flexible installation. We conveniently offer skid pack quantities for large jobs. Emergency battery backup options are available to provide you with operation during power outages. cULus Listed and 5-year limited warranty included.

Features & Benefits

- Lightweight aluminum frame and steel housing backplate
- 2-pack cartons provide added protection vs. single flat panel packaging
- 2x2 and 2x4's available in skid pack quantities for non-EB versions.
- PMMA lens for optimal light uniformity and glare reduction
- Optional 10W Emergency Battery Backup provides 90-minute runtime and 1300 lumens in EB mode (Single pack only)
- IC rated for direct contact with insulation

Recommended Use

- Commercial
- Educational Setting
- Offices
- Retail

Input Voltage

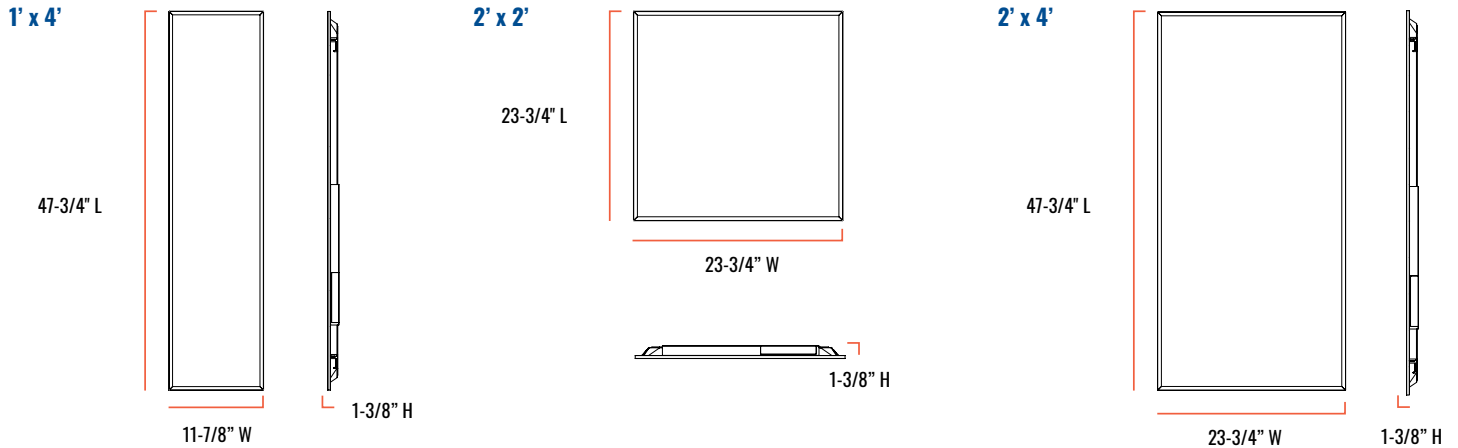
- Universal (120V through 277V Operation)

Certifications



WARNING: Cancer and Reproductive Harm - www.p65warnings.ca.gov

E-TFP-D SERIES



SERIES OVERVIEW

DIMENSIONS	PRODUCT WEIGHT	MOUNTING HEIGHT
E-TFPS42D-14 SERIES (1' x 4') : 47-3/4" L x 11-7/8" W x 1-3/8" H	7.03 lbs.	0 to 10 feet
E-TFPS42D-22 SERIES (2' x 2') : 23-3/4" L x 23-3/4" W x 1-3/8" H	4.64 lbs.	
E-TFPS52D-24 SERIES (2' x 4') : 47-3/4" L x 23-3/4" W x 1-3/8" H	8.73 lbs.	

FIXTURE SPECIFICATIONS

HOUSING	Aluminum frame and steel housing backplate
LENS MATERIAL	Integrated PMMA lens
MOUNTING	Recessed, installs into conventional grid ceilings. Can also be surfaced mounted with the use of surface mount kit accessory (sold separately).

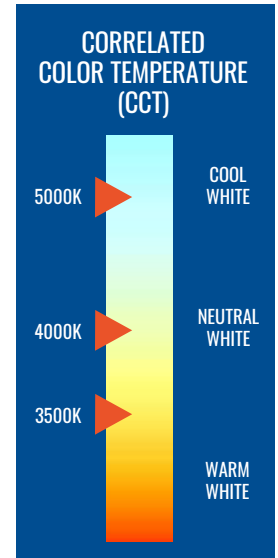
WARRANTY & CERTIFICATIONS

WARRANTY	5-Year Limited
cULus LISTED	Damp Locations
DLC	—

E-TFP-D SERIES

ELECTRICAL PERFORMANCE

OPERATING TEMPERATURE RANGE	LIFESPAN L ₇₀ AT 25°C (77°F)	POWER FACTOR	TOTAL HARMONIC DISTORTION	DIMMABLE
-4° F to 104° F (-20°C to 40°C) Emergency ballast option: suitable for ambient temperatures above 32°F (0°C)	Estimated >100,000 Hours	> 0.9	< 20%	0-10v to 10%
INPUT VOLTAGE Current Draw (Amps)	120V	208V	240V	277V
E-TFPS52C-14 (1' x 4')	0.28A	0.16A	0.14A	0.12A
E-TFPS52C-22 (2' x 2')	0.27A	0.15A	0.13A	0.12A
E-TFPS66C-24 (2' x 4')	0.32A	0.18A	0.16A	0.14A



DIMMER INFORMATION (LEVITON)

MANUFACTURE	Leviton
MODEL NUMBER	IP710-LFZ
DIMMING RANGE	10% - 100%
LOAD SWITCHING CAPACITY	1200W

DIMMER INFORMATION (LUTRON)

MANUFACTURE	Lutron
MODEL NUMBER	DVSTV
DIMMING RANGE	10% - 100%
LOAD SWITCHING CAPACITY	450W

OUTPUT SPECIFICATIONS

SKU	REPLACES	LIGHT OUTPUT	COLOR TEMP	POWER CONSUMPTION	COLOR ACCURACY
E-TFPS42D-14 (1'X4')	3 x F32T8	Up to 4220 Lumens	3500K, 4000K and 5000K	20W/28W/35W	≥ 80
E-TFPS42D-22 (2'X2')	3 x F17T8	Up to 4180 Lumens	3500K, 4000K and 5000K	20W/28W/35W	≥ 80
E-TFPS52D-24 (2'X4')	4 x F32T8	Up to 5150 Lumens	3500K, 4000K and 5000K	25W/35W/40W	≥ 80

Note: 10W Emergency Battery Backup provides 90-minute runtime and 1300 lumens in EB mode.
Replace -2 with -EB when ordering with emergency ballast option.

E-TFP-D SERIES

✓ LUMEN VALUES

	WATTAGE	35K/40K/50K
1X4	20W	2660
	28W	3530
	35W	4220
2X2	20W	2810
	28W	3740
	35W	4180
2X4	25W	3370
	35W	4550
	40W	5150

✓ ACCESSORIES (SOLD SEPARATELY)



Surface Mount Kit | 1' x 4'
SKU: E-ACC-D-SMK14
USE: For use when surface mounting to ceilings.
 Not for use with EB units.



Surface Mount Kit | 2' x 2'
SKU: E-ACC-D-SMK22
USE: For use when surface mounting to ceilings.
 Not for use with EB units.



Surface Mount Kit | 2' x 4'
SKU: E-ACC-D-SMK24
USE: For use when surface mounting to ceilings.
 Not for use with EB units.

©2025 Cree Lighting USA LLC. All rights reserved. All rights reserved. For informational purposes only. Content is subject to change. The savr logo is a trademark of e-conolight, LLC. The cULus logo is a registered trademark of UL LLC.

e-conolight.com | Customer Service: 888-243-9445 | Fax: 262-504-5409
 1501 96th Street, Sturtevant, WI 53177

creelighting.com | Distribution/Sales: 855-617-2733
 9201 Washington Avenue, Racine, WI 53406

April 25, 2025 For informational purposes only. Content is subject to change.

