

E-FLA SERIES

LED Flood Light | Field Selectable CCT & Wattage
12-Pack, 6-Pack & Single Unit Options | Replaces up to 400W PSMH



Our savr LED Flood Lights deliver up to 18,000 lumens of reliable illumination for building facades, signage, monuments, and security lighting. Each fixture includes an integrated photocell, field-selectable CCT and wattage, and your choice of a 1/2-inch fitter, 2-inch fitter, or yoke mount for easy installs. Available in singles, 6-packs, or 12-packs, they're UL Listed for wet locations and backed by a 5-year limited warranty.



KEY FEATURES

PERFORMANCE

- Multiple field selectable lumen packages ranging from 2100 lumens to 18,000 lumens
- Overall efficacy > 148 lumens per watt (LPW)
- Field selectable CCT options: 3000K, 4000K & 5000K
- CRI > 70

ELECTRICAL

- Input Voltage: 120-277v
- Operating Temperature Range: -40°F to 104°F (-40°C to 40°C)
- Estimated > 100,000 hours of maintenance-free operation to L₇₀ at 25°C (77°F)
- Power Factor: >0.9
- Total Harmonic Distortion: <20%
- 0-10v Dimming to 10% WITH dimming leads available for use in field
- Surge Protection: 6kV

CONSTRUCTION / INSTALLATION

- Bronze, rugged single-piece die-cast aluminum housing with integral heat sink fins.
- Housing has direct contact with driver to help maintain low temp. & long lifespan; completely sealed against moisture and environmental contaminants
- Mounting options to choose from:**
 - 1/2" Adjustable Fitter mount with 13-3/4" of wire (E-FLA02, E-FLA04, E-FLA06 & E-FLA09 Series only)
 - Yoke Mount with 13-3/4" SJTW 18/3C power cord (Available for all series)
- 2" Adjustable Fitter Mount with 47" SJTW 18/3C power cord (E-FLA14 or E-FLA18 Series only)

WARRANTY & CERTIFICATIONS

- UL Listed
- RoHS
- Wet Locations
- IP65
- FCC (02A & 04A lumen packages only)
- 5-Year Limited Warranty



* (02A & 04A lumen packages only)

APPLICATIONS

- Building Facades
- Signs and Monument
- Security

ORDERING INFORMATION

Example SKU: E-FLA02A-6SCCTBZP

SERIES	FIELD SELECTABLE LUMEN PACKAGE		MOUNT	CCT (FIELD SELECTABLE)	FINISH	PHOTOCELL	CASE QTY
E-FLA-A	02A	09A	3 2-inch Adjustable fitter	SCCT 3000K/4000K/5000K*	BZ Bronze	P Integrated Photocell"	12 12-pack 6 6-pack
	Up to 2100 Lumens	Up to 8900 Lumens					
	04A	14A	4 Yoke mount				
	Up to 3600 Lumens	Up to 13,500 Lumens					
06A	18A	6 1/2-inch Adjustable fitter					
Up to 5800 Lumens	Up to 18,000 Lumens						

*Factory settings: Default settings at time of shipping are highest product wattage and 4000K.

CA RESIDENTS WARNING: Cancer and Reproductive Harm – www.p65warnings.ca.gov

e-conolight.com | Customer Service: 888-243-9445 | Fax: 262-504-5409

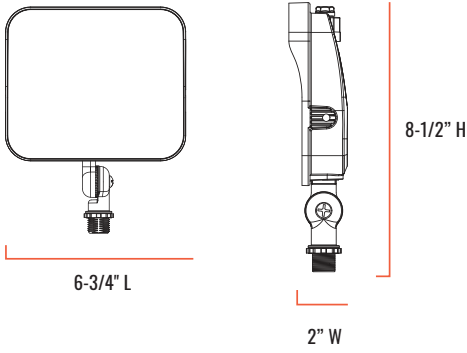
1501 96th Street, Sturtevant, WI 53177

Rev. Date: 12/16/2025

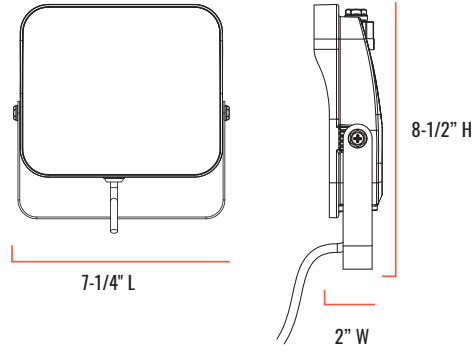
For informational purposes only. Content is subject to change.

E-FLA SERIES

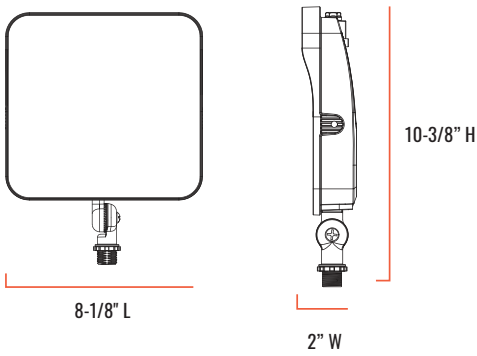
E-FLA02A - E-FLA04A (1/2" ADJUSTABLE FITTER)



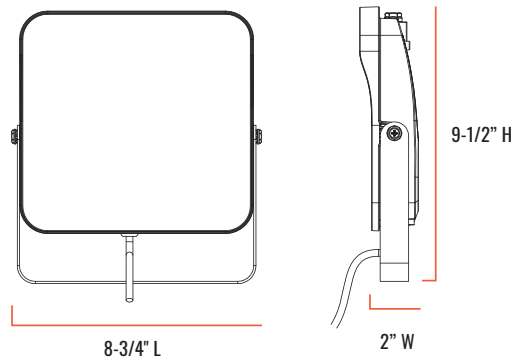
E-FLA02A - E-FLA04A (YOKE MOUNT)



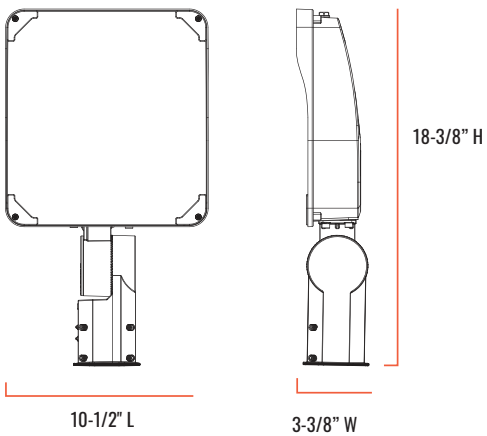
E-FLA06A - E-FLA09A (1/2" ADJUSTABLE FITTER)



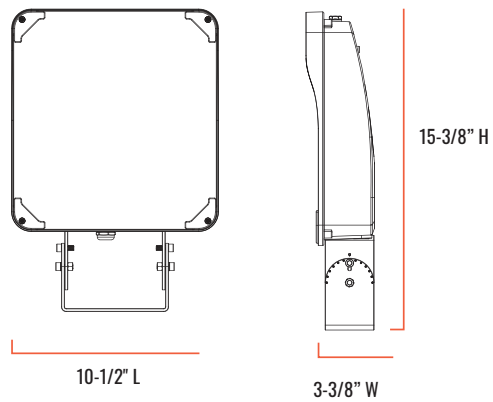
E-FLA06A - E-FLA09A (YOKE MOUNT)



E-FLA14A - E-FLA18A (2" ADJUSTABLE FITTER)



E-FLA14A - E-FLA18A (YOKE MOUNT)



E-FLA SERIES

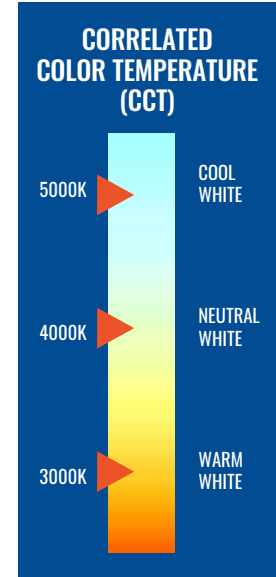
MOUNTING DETAILS & DIMENSIONS

SKU	MOUNTING OPTIONS	RECOMMENDED MOUNTING HEIGHT	PRODUCT DIMENSIONS (L x W x H - FRACTIONS ROUNDED UP TO NEAREST 1/8TH INCH)	PRODUCT WEIGHT (LBS.)
E-FLA02A-6SCCTBZP	1/2" Adjustable Fitter mount with 13-3/4" of wire	15 to 25 feet	6-3/4" L x 2" W x 8-1/2" H	1.8 lbs. (single) 26.4 lbs. (12-pack)
E-FLA02A-4SCCTBZP	Yoke Mount with 13-3/4" SJTW 18/3C power cord	15 to 25 feet	7-1/4" L x 2" W x 7-1/4" H	1.9 lbs. (single) 26.7 lbs. (12 pack)
E-FLA04A-6SCCTBZP	1/2" Adjustable Fitter mount with 13-3/4" of wire	15 to 25 feet	6-3/4" L x 2" W x 8-1/2" H	1.9 lbs. (single) 26.9 lbs. (12 pack)
E-FLA04A-4SCCTBZP	Yoke Mount with 13-3/4" SJTW 18/3C power cord	15 to 25 feet	7-1/4" L x 2" W x 7-1/4" H	1.9 lbs. (single) 26.9 lbs. (12 pack)
E-FLA06A-6SCCTBZP	1/2" Adjustable Fitter mount with 13-3/4" of wire	15 to 25 feet	8-1/8" L x 2" W x 10-3/8" H	2.7 lbs. (single) 19.5 lbs. (6 pack)
E-FLA06A-4SCCTBZP	Yoke Mount with 13-3/4" SJTW 18/3C power cord	15 to 25 feet	8-3/4" L x 2" W x 9-1/2" H	2.7 lbs. (single) 19.5 lbs. (6 pack)
E-FLA09A-6SCCTBZP	1/2" Adjustable Fitter mount with 13-3/4" of wire	15 to 25 feet	8-1/8" L x 2" W x 10-3/8" H	2.9 lbs. (single) 20.1 lbs. (6 pack)
E-FLA09A-4SCCTBZP	Yoke Mount with 13-3/4" SJTW 18/3C power cord	15 to 25 feet	8-3/4" L x 2" W x 9-1/2" H	3.1 lbs. (single) 21.3 lbs. (6 pack)
E-FLA14A-3SCCTBZP	2" Adjustable Fitter Mount with 47" SJTW 18/3C power cord	> 25 feet	10-1/2" L x 3-3/8" W x 18-3/8" H	8.4 lbs. (single)
E-FLA14A-4SCCTBZP	Yoke Mount with 47" SJTW 18/3C power cord	> 25 feet	10-1/2" L x 3-3/8" W x 15-3/8" H	9.2 lbs. (single)
E-FLA18A-3SCCTBZP	2" Adjustable Fitter Mount with 47" SJTW 18/3C power cord	> 25 feet	10-1/2" L x 3-3/8" W x 18-3/8" H	8.6 lbs. (single)
E-FLA18A-4SCCTBZP	Yoke Mount with 47" SJTW 18/3C power cord	> 25 feet	10-1/2" L x 3-3/8" W x 15-3/8" H	9.4 lbs. (single)

E-FLA SERIES

ELECTRICAL PERFORMANCE

OPERATING TEMPERATURE RANGE	LIFESPAN L70 AT 25°C (77°F)	POWER FACTOR	TOTAL HARMONIC DISTORTION	DIMMABLE		
-40°F to 104°F (-40°C to 40°C)	Estimated >100,000 Hours	> 0.9	< 20%	0-10v Dimming to 10% WITH dimming leads available for use in field		
AMP DRAW						
Item	Power (Watts)	120V	208V	240V	277V	
E-FLA02A	15	0.125A	0.07A	0.06A	0.05A	
E-FLA04A	27	0.23A	0.13A	0.11A	0.10A	
E-FLA06A	40	0.33A	0.19A	0.17A	0.14A	
E-FLA09A	65	0.54A	0.31A	0.27A	0.23A	
E-FLA14A	90	0.75A	0.43A	0.38A	0.32A	
E-FLA18A	120	1A	0.58A	0.5A	0.43A	








OUTPUT SPECIFICATIONS

SYSTEM WATTS	OUTPUT SELECTION	Power (Watts)	REPLACES	CRI	BUG Ratings	3000K (70CRI)		4000K		5000K	
						Lumens	Efficacy	Lumens	Efficacy	Lumens	Efficacy
02A	100%	16.30	70W MH	≥ 70	B1-U1-G0	2050	137	2300	153	2266	140
	80%	12.63				1640	130	1840	146	1813	144
	60%	10.02				1230	123	1380	138	1360	136
	40%	6.15				820	133	920	150	906	147
04A	100%	27.00	100W PSMH		B2-U1-G0	3500	130	3800	141	3672	133
	80%	20.00				2800	140	3040	152	2938	147
	60%	15.52				2100	135	2280	147	2203	142
	40%	11.40				1400	123	1520	133	1469	129
06A	100%	39.90	150W PSMH		B2-U1-G0	5700	143	6000	150	5800	145
	80%	29.50				4560	155	4800	163	4640	157
	60%	21.94				3420	156	3600	164	3480	159
	40%	14.40				2280	158	2400	167	2320	161
09A	100%	65.50	320W PSMH		B3-U1-G1	9200	140	9700	148	9400	144
	80%	44.30				7360	166	7760	175	7520	170
	60%	41.20				5520	134	5820	141	5640	137
	40%	27.50				3680	134	3880	141	3760	137
014A	100%	94.35	320W PSMH	B3-U2-G1	13,400	142	14,500	154	13,500	143	
	80%	67.90			10,720	158	11,600	171	10,800	159	
	60%	50.00			8040	161	8700	174	8100	162	
	40%	33.00			5360	162	5800	176	5400	164	
18A	100%	122.90	400W PSMH	B4-U2-G1	17,500	142	19,000	155	18,000	146	
	80%	98.82			14,000	142	15,200	154	14,400	146	
	60%	71.28			10,500	147	11,400	160	10,800	152	
	40%	52.80			7000	133	7600	144	7200	136	

E-FLA SERIES

ACCESSORIES

	4-INCH ROUND WEATHERPROOF J-BOX COVER w/ 1/2-inch NPT Threaded Knockout SKU: E-ACC-MP4-DB Use: Recommended for use with flood lights that have a 1/2-inch adjustable fitter. Dark bronze.
	GROUND MOUNT POST SKU: E-ACGM1DB Use: Ground Mount Post for use with Flood Lights with 2-inch adjustable fitter. Wiring or conduit feeds through post base. Dark bronze.
	90° WALL MOUNT BRACKET WITH 2-3/8-INCH O.D. TENON SKU: E-ACWM4DB Use: Wall Mount Bracket 90° with 2-3/8" tenon for single fixture mounted with adjustable slip fitter (not included). Dark bronze.
	CONDUIT SLIP FITTER SKU: E-ACMNH2DB Use: Cast aluminum hub provides a threaded entry for 1/2-inch adjustable fitter and slips over 2-3/8" O.D. pipe or tenon. Dark bronze.
	WALL MOUNT BRACKET WITH TENON SKU: E-ACWM2DB Use: Wall Mount Bracket with 2-3/8" single tenon to mount fixture with 2-inch adjustable slip fitter (not included) to almost any surface. The 4-inch plate includes mounting holes spaced 3-1/4" apart. Dark bronze.

©2025 Cree Lighting USA LLC. All rights reserved. For informational purposes only. Content is subject to change.
Patent www.creelighting.com/patents. The savr logo is a registered trademark of e-conolight, LLC. Due to continuous product improvement, information in this document is subject to change. The eULus logo is a registered trademark of UL LLC.