



E-APRxxB SERIES

LED Area Light
Replaces Up To 750W PSMH



Image shown with E-APR-B-DIR-MNT, adjustable direct arm mount; sold separately.

Image shown with E-APR-B-SF-MNT, 2-inch adjustable fitter mount; sold separately.

The Area Light That'll Have Heads Turning

Choose our savr® LED Area Light with efficiency so good, you'll wish you bought more. It's the perfect LED area lighting solution that's ideal for brightening parking lots and perimeters at an affordable price. Our LED area light delivers up to 30,700 lumens and features a Type 3 distribution pattern, is cULus listed, comes with a 5-year limited warranty, and is available in 4000K and 5000K. Check it out today!

Features & Benefits

- Included 3-pin photocell receptacle
- Included shorting cap
- Quality tested in-house in Racine, WI
- 0-10V dimmable with accessible leads

Recommended Use

- Parking Lots
- General Area Lighting
- Pathway/Walkways
- Shopping Centers

Input Voltage

- Universal (120V through 277V Operation)

Certifications

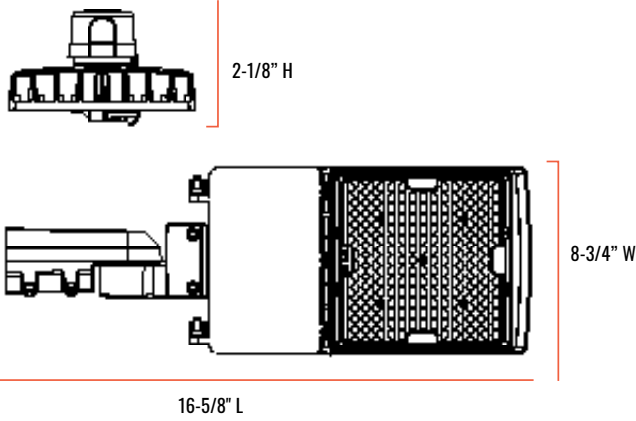


WARNING: Cancer and Reproductive Harm - www.p65warnings.ca.gov

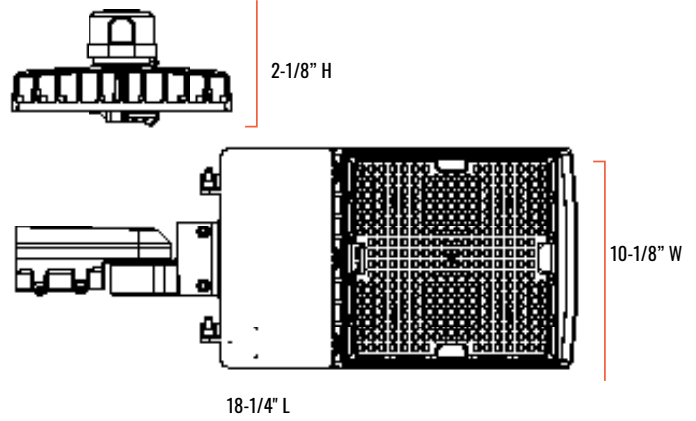


E-APRxxB SERIES

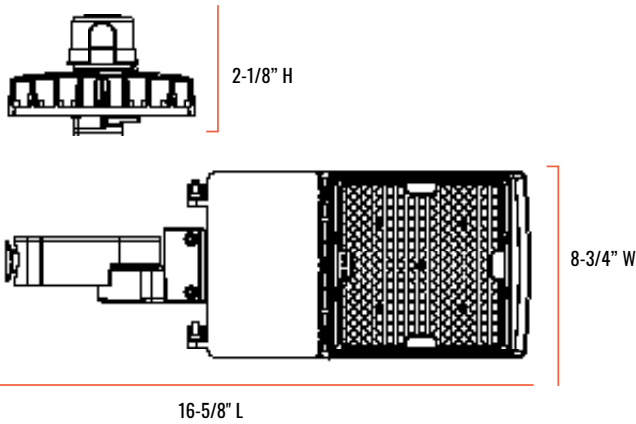
E-APR17 AND E-APR23 SF MOUNT



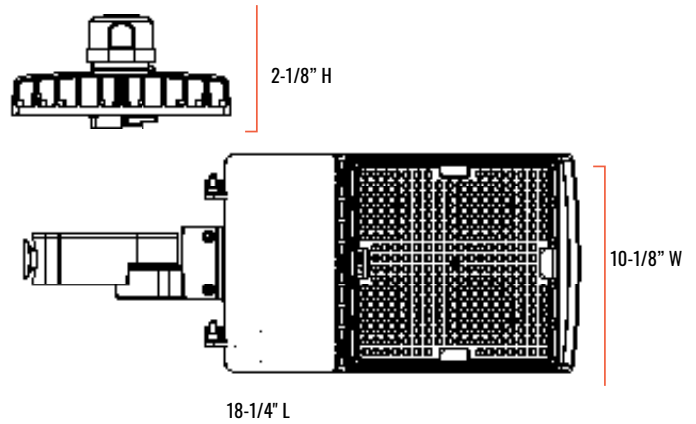
E-APR31 (ONLY 200W) SF MOUNT



E-APR17 AND E-APR23 DM MOUNT



E-APR31 (ONLY 200W) DM MOUNT



✓ SERIES OVERVIEW

DIMENSIONS	PRODUCT WEIGHT	MOUNTING HEIGHT	SPACING
E-APR17B (100W): 16-5/8" L X 8-3/4" W X 2-1/8" H	6.17 lbs.	15 - 25 feet	N/A
E-APR23B (150W): 16-5/8" L X 8-3/4" W X 2-1/8" H	6.17 lbs.	15 - 25 feet	N/A
E-APR31B (200W): 18-1/4" L X 10-1/8" W X 2-1/8" H	7.49 lbs.	> 25 feet	N/A

✓ FIXTURE SPECIFICATIONS

HOUSING	Medium bronze, durable, die-cast aluminum
LENS ASSEMBLY	UV stabilized polycarbonate
MOUNTING	Mounting sold separately. For use with adjustable direct arm mount (E-APR-B-SF-MNT) or 2-inch adjustable slip fitter mount (E-APR-B-DIM-MNT)

✓ WARRANTY & CERTIFICATIONS

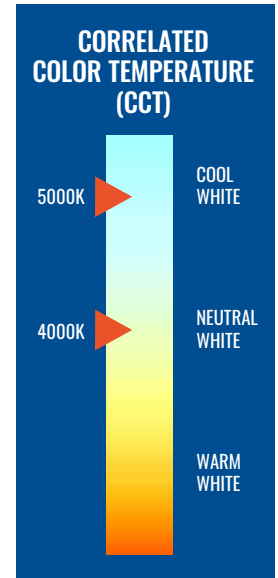
WARRANTY	5-Year Limited
cULus LISTED	Wet locations
DLC	—

E-APRxxB SERIES



ELECTRICAL PERFORMANCE

OPERATING TEMPERATURE RANGE	LIFESPAN L70 AT 25°C (77°F)	POWER FACTOR	TOTAL HARMONIC DISTORTION	DIMMABLE
-40°F to 104°F (-40°C to 40°C)	Estimated >100,000 Hours	> 0.9	< 20%	0-10V to 10%
INPUT VOLTAGE Current Draw (Amps)	120V	208V	240V	277V
E-APR17B	0.83A	0.48A	0.41A	0.36A
E-APR23B	1.25A	0.72A	0.62A	0.54A
E-APR31B	1.66A	0.96A	0.83A	0.72A



OUTPUT SPECIFICATIONS

SKU	DISTRIBUTION TYPE	REPLACES	LIGHT OUTPUT	COLOR TEMP	POWER CONSUMPTION	COLOR ACCURACY	BUG RATINGS
E-APR17B-T340B	Type 3	400W MH	16,800 Lumens	5000K	100W	≥ 70	B3-U3-G3
E-APR17B-T350B	Type 3	400W MH	16,800 Lumens	5000K	100W	≥ 70	B3-U3-G3
E-APR23B-T340B	Type 3	400W PSMH	23,950 Lumens	4000K	150W	≥ 70	B3-U3-G3
E-APR23B-T350B	Type 3	400W PSMH	23,950 Lumens	4000K	150W	≥ 70	B4-U3-G4
E-APR31B-T340B	Type 3	400W PSMH	29,500 Lumens	5000K	200W	≥ 70	B4-U3-G4
E-APR31B-T350B	Type 3	400W PSMH	30,700 Lumens	5000K	200W	≥ 70	B4-U3-G4

E-APRxxB SERIES



ACCESSORIES (SOLD SEPARATELY)



2-inch Adjustable Slip Fitter Mount
SKU: E-APR-B-SF-MNT
USE: For use with 2-3/8" O.D. (Outer Diameter) pipe or tenon.
MAXIMUM TILT: 45-degrees.
NOTE: Not intended for use as an uplight.



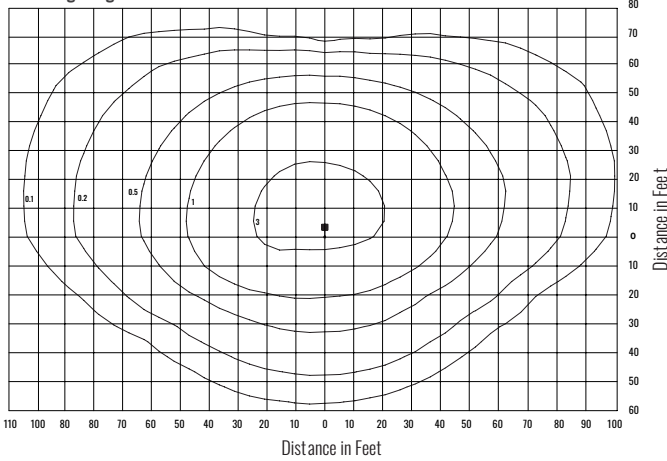
Adjustable Direct Arm Mount
SKU: E-APR-B-DIM-MNT
NOTE: Not intended for use as an uplight. Requires 3-inch minimum square pole.
USE: Direct arm mount intended to be secured to a round or square pole with a diameter between 4-5". This mount can be adjusted up and down, up to 45°.



ISO PLOT CHART

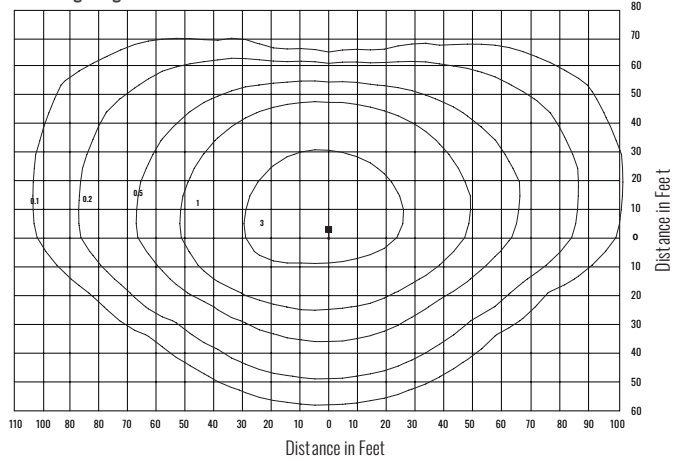
E-APR17B-T350 B

Mounting Height: 25'



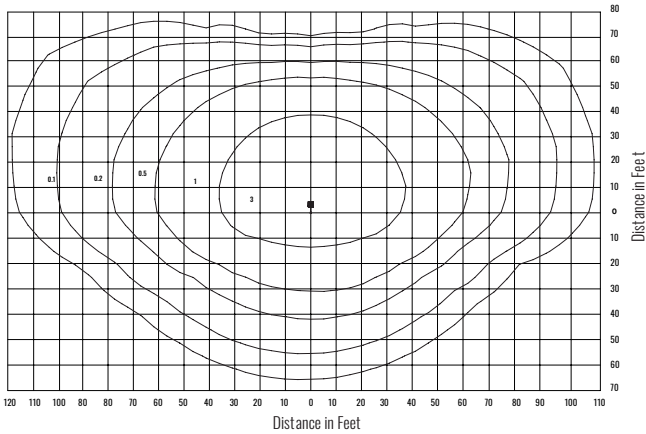
E-APR23B-T350 B

Mounting Height: 25'



E-APR31B-T350 B

Mounting Height: 25'



© 2025 Cree Lighting USA LLC. All rights reserved. For informational purposes only. Content is subject to change. The savr logo is a registered trademark of e-conolight, LLC. The cULus logo is a registered trademark of UL LLC.

e-conolight.com | Customer Service: 888-243-9445 | Fax: 262-504-5409
 1501 96th Street, Sturtevant, WI 53177



December 3, 2025 For informational purposes only. Content is subject to change.