

INSTALLATION INSTRUCTIONS

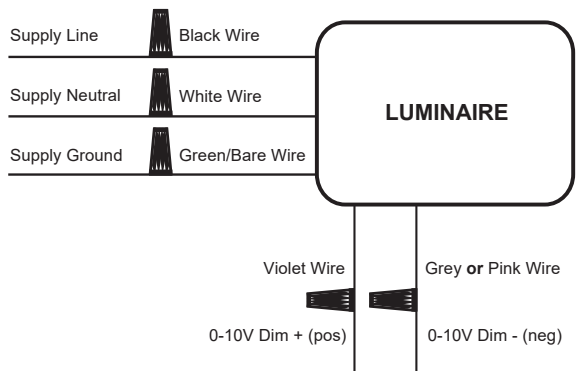
⚠ WARNING: ALWAYS TURN POWER SUPPLY OFF FROM THE MAIN CIRCUIT BREAKER FIRST!

- TO REDUCE THE RISK OF DEATH, PERSONAL INJURY, PROPERTY DAMAGE FROM FIRE, ELECTRIC SHOCK, FALLING PARTS, CUTS/ABRASIONS AND OTHER HAZARDS, PLEASE READ ALL INSTRUCTIONS AND PRODUCT LABELS CAREFULLY.
- BEFORE INSTALLING, SERVICING, OR PERFORMING ROUTINE MAINTENANCE, FOLLOW THESE GENERAL PRECAUTIONS.
- FOR COMMERCIAL INSTALLATION, SERVICE, AND MAINTENANCE OF THE LUMINAIRE, CONSULT A QUALIFIED, LICENSED ELECTRICIAN, AND CHECK YOUR LOCAL ELECTRICAL CODE.
- TO PREVENT WIRING DAMAGE OR ABRASION DO NOT EXPOSE WIRING TO EDGES OF SHEET METAL OR OTHER SHARP OBJECTS.
- DO NOT ALTER LUMINAIRE. ALTERING LUMINAIRE WILL VOID THE SAFETY, CERTIFICATIONS, AND WARRANTY.
- VERIFY THAT THE SUPPLY VOLTAGE IS CORRECT BY COMPARING IT WITH THE LUMINAIRE LABEL INFORMATION.
- ALL WIRING CONNECTIONS SHOULD BE CAPPED WITH UL APPROVED WIRE CONNECTIONS.

CAUTION: AVOID DIRECT EYE EXPOSURE TO THE LIGHT SOURCE WHILE IT IS ON. ACCOUNT FOR SMALL PARTS AND DESTROY PACKING MATERIAL, AS THESE MAY BE HAZARDOUS TO CHILDREN.
TO AVOID THE RISK OF BURNING, DISCONNECT THE POWER AND ALLOW THE LUMINAIRE TO COOL BEFORE HANDLING.

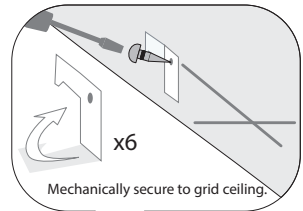
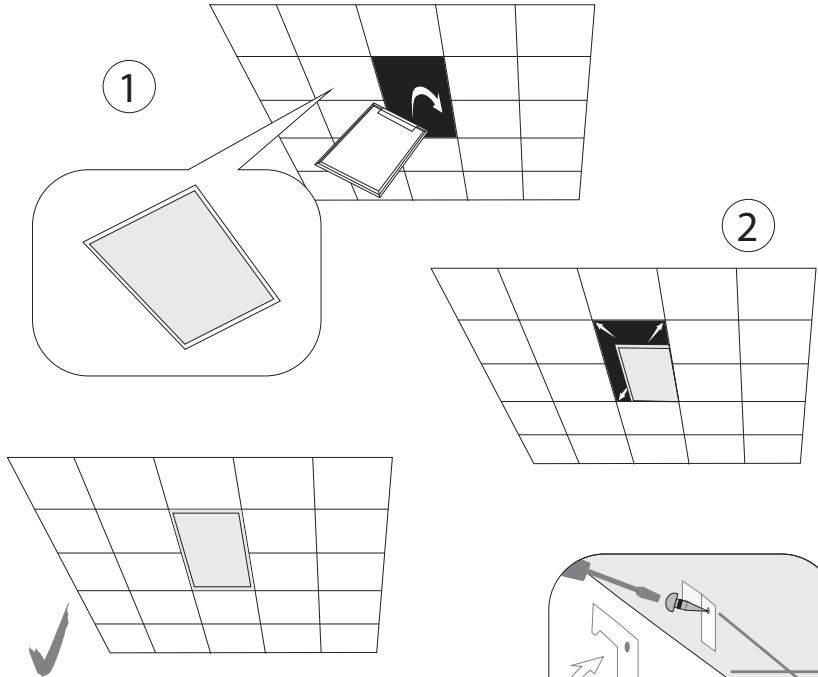
⚠ THIS IS A HIGH-QUALITY COMMERCIAL GRADE PRODUCT AND IS EQUIPPED WITH A 0-10V DIMMING DRIVER. A 0-10V DIMMER IS REQUIRED TO USE

THE DIMMING FEATURE OF THIS PRODUCT. 0-10V DIMMER COME EQUIPPED WITH 2 WIRES SPECIFICALLY FOR DIMMING WHICH ARE TYPICALLY VIOLET AND GRAY OR PINK. DO NOT USE A STANDARD (2-WIRE) WALL DIMMER WITH THIS PRODUCT.

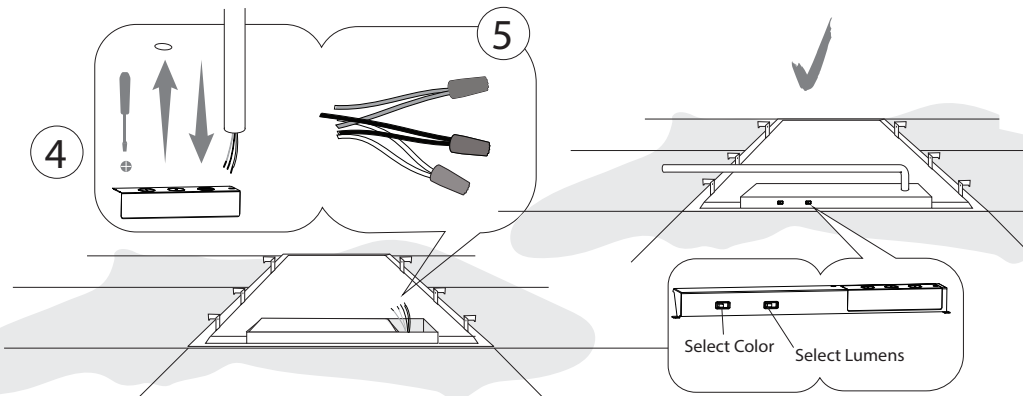
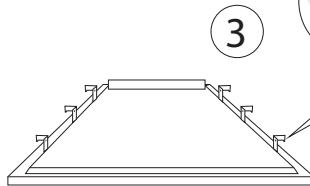


Cap dimming wires (separately) if not used.

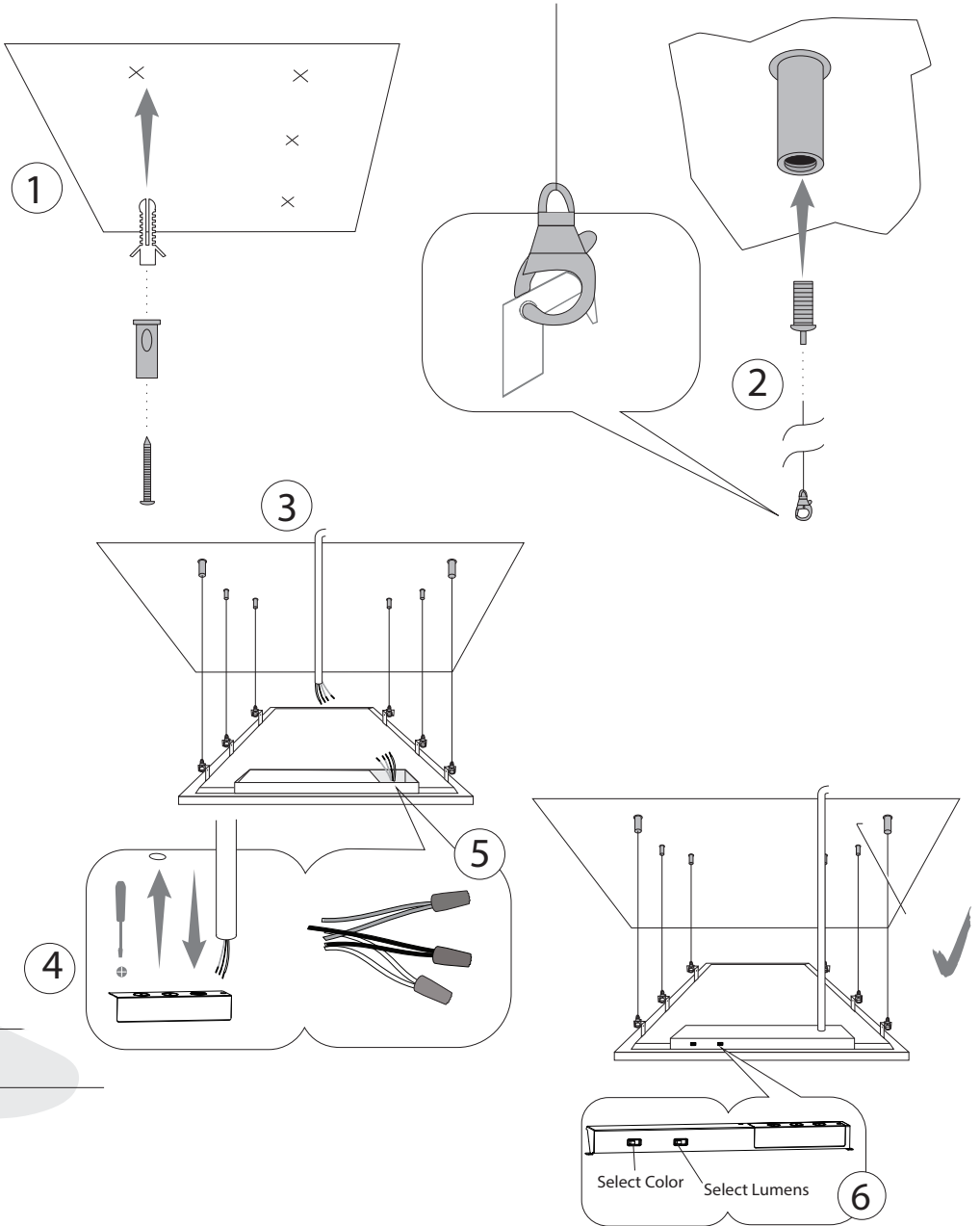
View from below



View from Above



Cable Mount Option



Surface Mount Option

