

BLD 5.5 BOLLARD

PROJECT: _____

SCHEDULE: _____ DATE: _____

PREPARE BY: _____

NOTES: _____

DESCRIPTION

naturaLED® 5.5 BLD bright pathway lighting is important for the safety of pedestrian foot traffic. Ensuring that sidewalks and pavement are well lit reduces the risk of people tripping and falling. The superior quality of our DLC Bollard light fixture provides glare-free lighting with selectable wattages and color temperature that replaces up to 2,100 lumens.

APPLICATIONS

Security, Pathway, Perimeter, Entryway, Area Lighting



Rated Life 50,000 Hours
Warranty 5 Years

FEATURES

- DLC Premium
- IP65 Rated
- ETL/cETL Listed
- Wattage & Color Selectable
- Wattage: 10-18W
- Color Temp: CCT3 (30/40/50K)
- Voltage: 120-277V
- Surge Protection: 10KV
- Dimmable: 0-10V
- CRI >80
- Operating temperature: - 40°F - 122°F
- Beam Angle: 360°
- Energy savings up to 80% compared to metal halide bollards
- 5.5" diameter makes easy replacement for traditional bollards
- Material: Die Cast Aluminum
- Color: Black (RAL#9005), Bronze
- Warranty: 5-Year
- Optional Accessories for Purchase: Type 3 Plate, Bollard Body

ACCESSORIES

	Type 3 Plate
	Bollard Body Bronze 34"
	Bollard Body Black 24"

SAMPLE NUMBER FX5.5BLD18SW/41FCN/8CCT3/BK

FAMILY	DIAMETER	SERIES	WATTAGE	LENGTH/SHAPE	CRI/COLOR TEMP	COLOR
FX	5.5	BLD	18SW	31FCN / 41FCN	8CCT3	BK
Fixture	5.5-inch	Bollard	Selectable Wattage (10/15/18W)	31-32 inch / 41-42 inch FCN - Flat Cone FLV- Flat Louver Reflector RCN -Round Cone RLV- Round Louver Reflector RLO- Round Louver Open RLF- Round Louver Frosted RDM- Round Dome	CRI 80 Selectable CCT (3000/4000/5000K)	Black BZ Bronze



5.5 BOLLARD

SECURITY & AREA LUMINAIRES

ORDERING

*P= Premium DLC / *S = Standard DLC / *E = Energy Star

Watts (W)	Ordering Code	Description	CCT (K)	Lumens (Lm)	Equivalent Wattage	Size	IP65 Rated	DLC (S/P)
10	7742	FX5.5BLD18SW/42RDM/8CCT3/BK-PH	3CCT	700	100W	6.5"x42"	●	-
15			(3K/4K/5K)	1,050				
18				1,260				
10	7745	FX5.5BLD18SW/32RDM/8CCT3/BK-PH	3CCT	700	100W	6.5"x32"	●	-
15			(3K/4K/5K)	1,050				
18				1,260				
10	7669	FX5.5BLD18SW/42RDM/8CCT3/BZ-PH	3CCT	700	100W	6.5"x42"	●	-
15			(3K/4K/5K)	1,050				
18				1,260				
10	7740	FX5.5BLD18SW/42RLO/8CCT3/BK	3CCT	600	100W	5.5"x42"	●	-
15			(3K/4K/5K)	900				
18				1,080				
10	7741	FX5.5BLD18SW/42RLF/8CCT3/BK	3CCT	500	100W	5.5"x42"	●	-
15			(3K/4K/5K)	750				
18				900				
10	7667	FX5.5BLD18SW/42RLO/8CCT3/BZ	3CCT	600	100W	5.5"x32"	●	-
15			(3K/4K/5K)	900				
18				1,080				
10	7668	FX5.5BLD18SW/42RLF/8CCT3/BZ	3CCT	600	100W	5.5"x42"	●	-
15			(3K/4K/5K)	900				
18				1,080				
10	9643	FX5.5BLD18SW/41FCN/8CCT3/BK	3CCT	1,228	100W	5.5"x41"	●	P
15			(3K/4K/5K)	1,875				
18				2,251				
10	9644	FX5.5BLD18SW/41FLV/8CCT3/BK	3CCT	1,200	100W	5.5"x41"	●	-
15			(3K/4K/5K)	1,800				
18				2,160				
10	9645	FX5.5BLD18SW/42RCN/8CCT3/BK	3CCT	1,228	100W	5.5"x42"	●	P
15			(3K/4K/5K)	1,875				
18				2,251				
10	9646	FX5.5BLD18SW/42RLV/8CCT3/BK	3CCT	1,200	100W	5.5"x42"	●	-
15			(3K/4K/5K)	1,800				
18				2,160				

Round Dome

42" Height

5.5 BOLLARD

SECURITY & AREA LUMINAIRES

ORDERING

*P= Premium DLC / *S = Standard DLC / *E = Energy Star

Watts (W)	Ordering Code	Description	CCT (K)	Lumens (Lm)	Equivalent Wattage	Size	IP65 Rated	DLC (S/P)
10	7743	FX5.5BLD18SW/32RLO/8CCT3/BK	3CCT	600	100W	5.5"x32"	●	-
15			(3K/4K/5K)	900				
18				1,080				
10	7744	FX5.5BLD18SW/32RLF/8CCT3/BK	3CCT	500	100W	5.5"x32"	●	-
15			(3K/4K/5K)	750				
18				900				
10	9699	FX5.5BLD18SW/32RCN/8CCT3/BK	3CCT	1,228	100W	5.5"x32"	●	P
15			(3K/4K/5K)	1,875				
18				2,251				
10	9700	FX5.5BLD18SW/32RLV/8CCT3/BK	3CCT	1,200	100W	5.5"x32"	●	-
15			(3K/4K/5K)	1,800				
18				2,160				
10	9697	FX5.5BLD18SW/31FCN/8CCT3/BK	3CCT	1,228	100W	5.5"x31"	●	P
15			(3K/4K/5K)	1,875				
18				2,251				
10	9698	FX5.5BLD18SW/31FLV/8CCT3/BK	3CCT	1,200	100W	5.5"x31"	●	-
15			(3K/4K/5K)	1,800				
18				2,160				

32" Height

STYLE



Flat Cone Reflector
Model: FCN



Flat Louver Reflector
Model: FLV



Round Cone Reflector
Model: RCN



Round Louver Reflector
Model: RLV



Round Louver Open
Model: RLO



Round Louver Frosted
Model: RLF



Round Dome
Model: RDM



ACCESSORIES

Type 3 Plate



P10068 PLT-5.5BLD/T3/BK
(Plate-Type 3 plate for 5.5" bollard)

Body - 34"



P10531 MT-5.5BRD/34in/BZ
(Mount-5.5" Bollard Body 34" Bronze)

Body - 24"



P10532 MT-5.5BRD/24in/BK
(Mount-5.5" Bollard Body 24" Black)

Round Louver Open (Black)



P10533 FX5.5BLD18SW/RLO/8CCT3/BK
(Round Louver Open Lens Black)

Round Louver Open (Bronze)



P10536 FX5.5BLD18SW/RLO/8CCT3/BZ
(Round Louver Open Lens Bronze)

Round Louver Frosted (Black)



P10534 FX5.5BLD18SW/RLF/8CCT3/BK
(Round Louver Frosted Lens Black)

Round Louver Frosted (Bronze)



P10537 FX5.5BLD18SW/RLF/8CCT3/BZ
(Round Louver Frosted Lens Bronze)

Round Dome (Black)



P10535 FX5.5BLD18SW/RDM/8CCT3/BK-PHO
(Round Dome Black w/ Photocell)

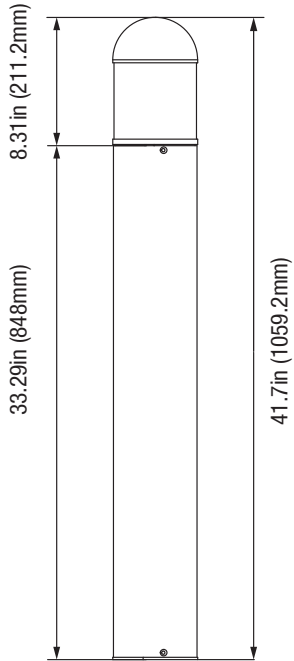
Round Dome (Bronze)



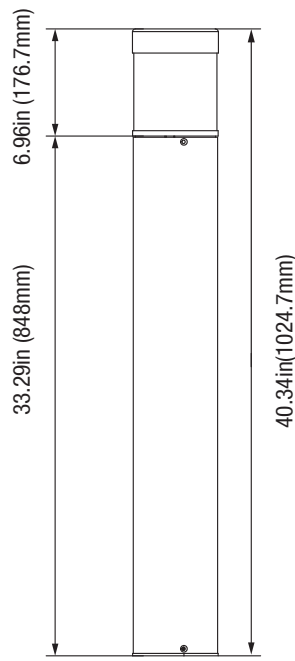
P10538 FX5.5BLD18SW/RDM/8CCT3/BZ-PHO
(Round Dome Bronze w/ Photocell)

DIMENSIONS

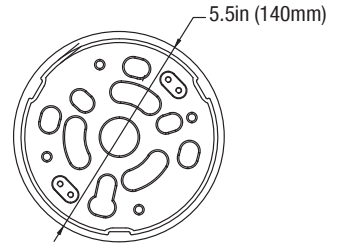
Round
11-lbs



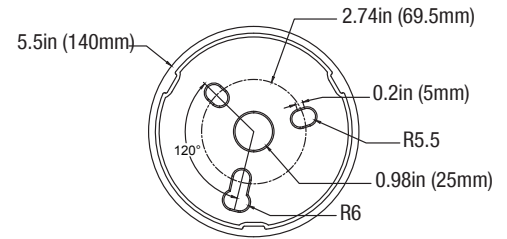
Flat
11-lbs



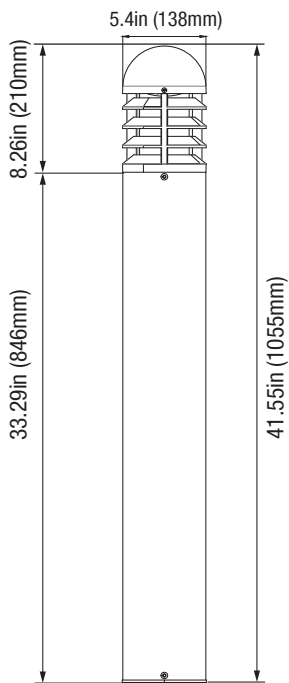
Bollard Base



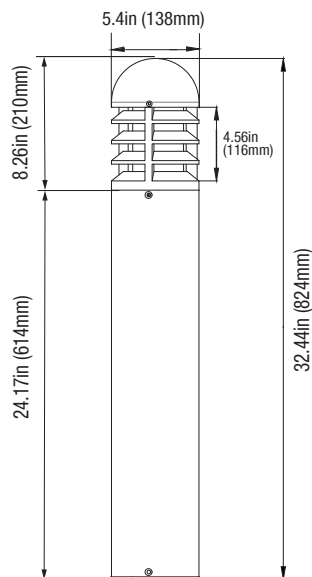
Suggested install point



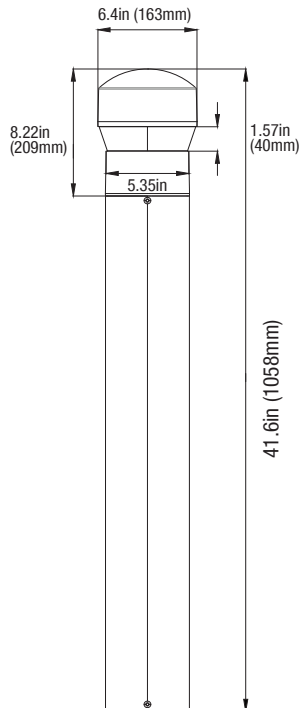
RLO 42"
11-lbs



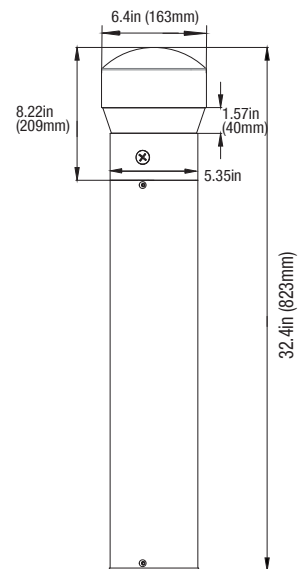
RLO 32"



RDM 42"
11-lbs

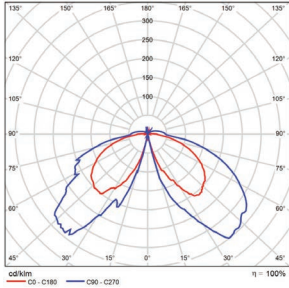


RDM 32"



PHOTOMETRICS CHART

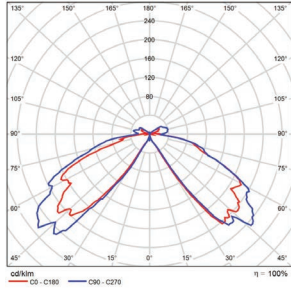
Cone Reflector (Flat)
DLC Premium



	Center Beam fc		Beam Width	
	0.58R	1.17R	1.44 ft	0.59 ft
0.58R	12.5 fc	1.44 ft	0.59 ft	
1.17R	3.08 fc	2.91 ft	1.20 ft	
1.75R	1.38 fc	4.35 ft	1.79 ft	
2.33R	0.78 fc	5.79 ft	2.38 ft	
2.92R	0.49 fc	7.25 ft	2.99 ft	
3.50R	0.34 fc	8.69 ft	3.58 ft	

■ Vert. Spread: 102.3°
■ Horiz. Spread: 54.2°

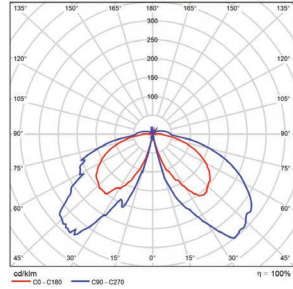
Louver (Flat)



	Center Beam fc		Beam Width	
	0.58R	1.17R	1.95 ft	0.38 ft
0.58R	3.39 fc	1.95 ft	0.38 ft	
1.17R	0.83 fc	3.92 ft	0.77 ft	
1.75R	0.37 fc	5.87 ft	1.15 ft	
2.33R	0.21 fc	7.81 ft	1.54 ft	
2.92R	0.13 fc	9.79 ft	1.92 ft	
3.50R	0.09 fc	11.74 ft	2.31 ft	

■ Vert. Spread: 118.4°
■ Horiz. Spread: 36.5°

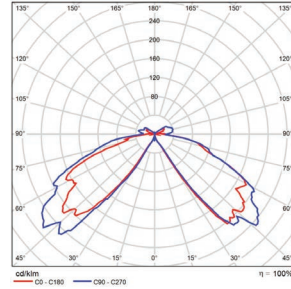
Cone Reflector (Round)
DLC Premium



	Center Beam fc		Beam Width	
	0.58R	1.17R	1.44 ft	0.59 ft
0.58R	12.5 fc	1.44 ft	0.59 ft	
1.17R	3.08 fc	2.91 ft	1.20 ft	
1.75R	1.38 fc	4.35 ft	1.79 ft	
2.33R	0.78 fc	5.79 ft	2.38 ft	
2.92R	0.49 fc	7.25 ft	2.99 ft	
3.50R	0.34 fc	8.69 ft	3.58 ft	

■ Vert. Spread: 102.3°
■ Horiz. Spread: 54.2°

Louver (Round)



	Center Beam fc		Beam Width	
	0.58R	1.17R	1.95 ft	0.38 ft
0.58R	3.39 fc	1.95 ft	0.38 ft	
1.17R	0.83 fc	3.92 ft	0.77 ft	
1.75R	0.37 fc	5.87 ft	1.15 ft	
2.33R	0.21 fc	7.81 ft	1.54 ft	
2.92R	0.13 fc	9.79 ft	1.92 ft	
3.50R	0.09 fc	11.74 ft	2.31 ft	

■ Vert. Spread: 118.4°
■ Horiz. Spread: 36.5°

PACKAGE

Case Qty 1 pc

