

LED UFO Highbay

Installation Instructions

**MODEL NUMBERS: 102-12400025-1/102-12400025-2/102-12400035-1/102-12400033-2/102-12400033-1/
102-12400034-1/102-12400064-1/102-12400066-1/102-12400036-1**

IMPORTANT SAFETY INFORMATION

Read this entire manual before attempting installation or operation.

This fixture is designed to operate with either 120–277VAC or 277–480VAC. Installation must follow all local and national electrical codes.

GENERAL SAFETY PRECAUTIONS

- Installation must comply with all national and local electrical codes.
- Must be installed by a qualified electrician.
- Ensure proper grounding of the fixture.
- Turn off power at the circuit breaker before installation.
- Use approved wire connectors (e.g., wire nuts, crimp lugs).
- Use gloves during installation to prevent injury.
- Do not install in wet conditions.
- Allow fixture to cool before handling.
- Do not test with a portable generator.
- Use listed waterproof strain relief bushing when connecting supply cord.

FCC COMPLIANCE NOTICE

- This device complies with Part 15 of the FCC Rules. Operation is subject to the following conditions:
 - This device may not cause harmful interference.
 - This device must accept any interference received, including that which may cause undesired operation.
 - This equipment has been tested and found to comply with Class B digital device limits. If interference occurs:
 - Reorient or relocate the receiving antenna.
 - Increase the distance between the equipment and receiver.
 - Connect to an outlet on a different circuit.
 - Contact a qualified radio/TV technician.
- Unauthorized changes or modifications may void your authority to operate this equipment.

CAUTION

- Do not test the LED light using a portable generator.
- Follow all local, regional, and national regulations.
- Do not install during rain or in wet conditions to prevent shock or damage.
- Use gloves during installation to avoid injury.
- In case of smoke, fire, or unusual odor, shut off power immediately and contact a qualified technician.
- This fixture is suitable for outdoor installations.

LED UFO Highbay Installation Instructions

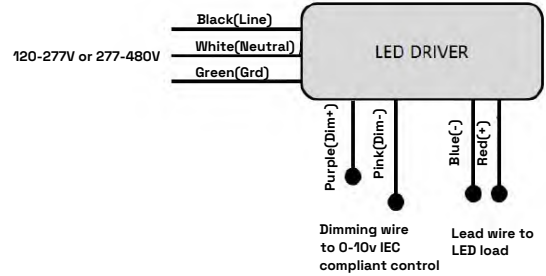
PRODUCT FUNCTIONALITY & WIRING

- This product supports both dimming and non-dimming installations.
- Standard Wiring
 - **Black (Line)** → AC Live
 - **White (Neutral)** → AC Neutral
 - **Green (Ground)** → Earth Ground

Note: Cap off purple and gray wires if dimming is not used.

- Dimming (0-10V)
 - **Purple (Dim +)** → 0-10VDC (+)
 - **Pink (Dim -)** → 0-10VDC (-)

General Wiring Diagram



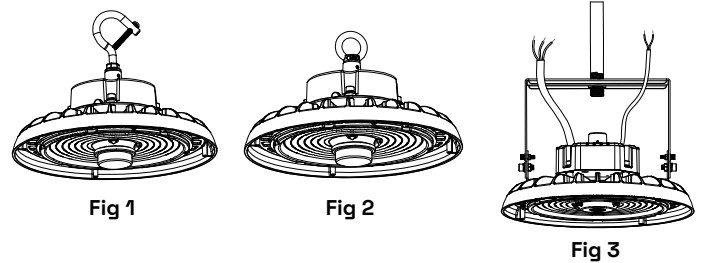
INSTALLATION STEPS

STEP 1: MOUNT SELECTION

NOTE: This fixture supports the following mounting methods:

- Hook Mount (Fig 1)
- Surface/Ceiling Mount (Figs 8)
- 1/2" NPT Mount (Figs 3)

Choose the appropriate mounting method based on your application.



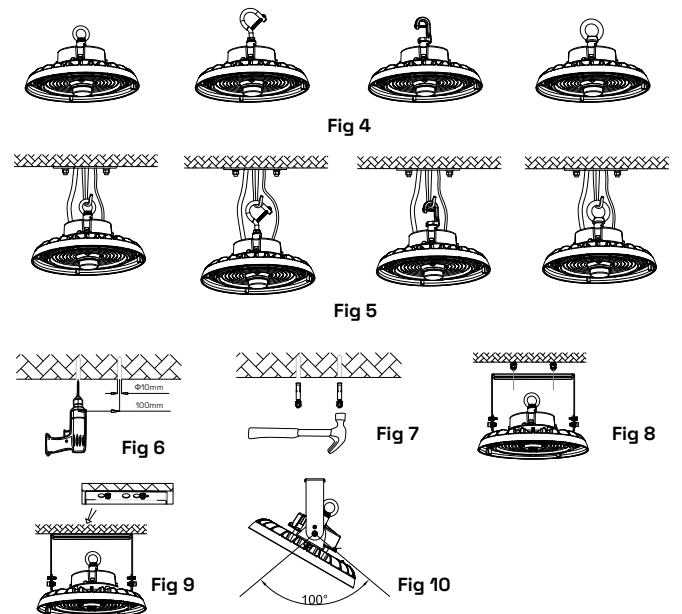
STEP 2: FIXTURE PREPARATION

- Inspect fixture for shipping damage.
- Confirm all accessories are present.
- Prepare mounting hardware and tools.

STEP 3: INSTALLATION PROCEDURE

NOTE: All wiring must comply with local and national electrical codes.

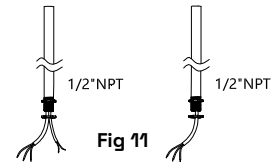
- A. Hook Mount**
 - Screw hook or eyebolt into the fixture and tighten. (Fig 4)
 - Hang the fixture from a ceiling hook or chain. (Fig 5)
 - Connect wires securely per local codes.
- B. Surface/Ceiling Mount**
 - Mark mounting points on the ceiling.
 - Drill holes and insert anchors. (Fig 6)
 - Align bracket and slide fixture into position. (Figs 8 & 9)
 - Fix with screws and adjust bracket tilt ($\pm 50^\circ$). (Fig 10)



LED UFO Highbay Installation Instructions

□ C. 1/2" NPT Mount

- Unscrew nuts from conduit. (Fig 11)
- Insert 1/2" NPT conduit into fixture bracket. (Fig 12)
- Tighten nuts to secure mount. (Fig 13)



STEP 4: WIRING CONNECTIONS

- Connect black, white, and green wires per electrical code.
- If dimming is used, connect purple and pink to 0–10V controller.
- Ensure all wire connections are secure inside housing.

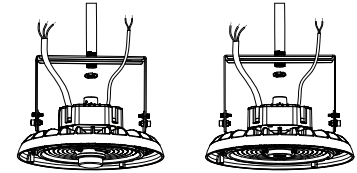


Fig 12

STEP 5: SEAL & CLOSE

- Tuck wires into housing and tighten access screws.
- Apply silicone sealant to conduit entries if needed. (Weatherproofing)

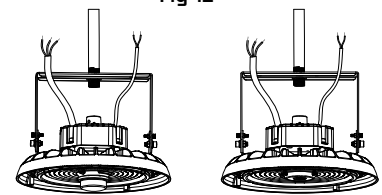
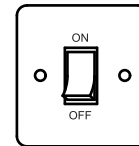


Fig 13

STEP 6: POWER ON AND TEST

- Restore power at circuit breaker.
- Confirm fixture illuminates properly.
- Test dimming control if applicable.



OPTIONAL ACCESSORIES INSTALLATION

Wire Guard (Fig 14):

- Position guard on lamp and fix with screws.

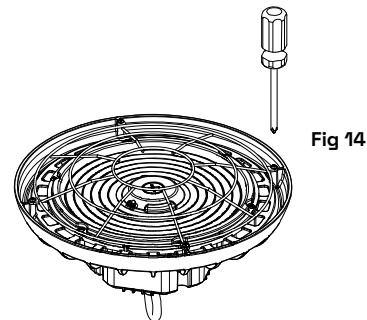


Fig 14

Motion/PIR Sensor (Figs 15 - 16):

NOTE: Only applicable to motion-sensor compatible models.

- Remove 1/2" plug. (Fig 15)
- Twist-lock DC sensor into socket. (Fig 16)
- Configure with remote controller as needed.

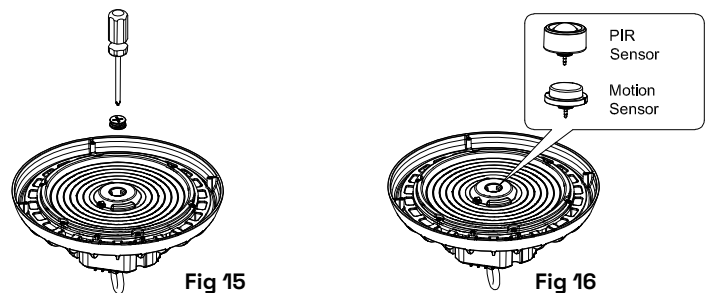


Fig 15

Fig 16

LED UFO Highbay Installation Instructions

Aluminum or PC Reflector (Fig 17):

- Align reflector and secure with screws.

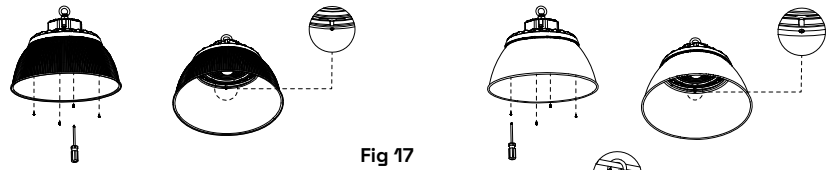


Fig 17

Safety Cable (Fig 18):

- Fix safety cable to lamp body with screws.
- Secure safety buckle to overhead structure.

NOTE: Always use safety cable for overhead mounting.

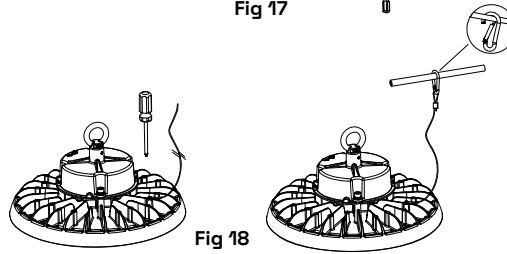


Fig 18

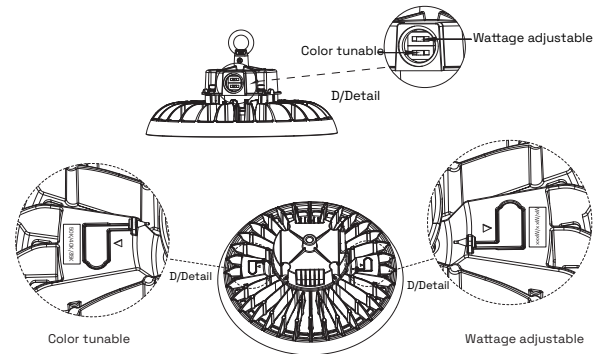
WATTAGE & CCT SELECTABLE FEATURE

This fixture features field-adjustable wattage and CCT (color temperature).

Adjustment Procedure:

- Remove the plug to access DIP switches.
- Set CCT: 3500K / 4000K / 5000K.
- Set desired wattage according to model.
- Replace plug securely after setting.

NOTE: Refer to product label for factory default or customized settings.



USAGE, CARE & MAINTENANCE

Usage:

- Suitable for warehouses, factories, gymnasiums, and large indoor commercial areas.

Care:

- Clean lens periodically with mild soap and water.
- Do not use abrasive or chemical cleaners.

Maintenance:

Inspect the fixture every 6–12 months:

- Check all wiring, mounts, and sensor operation.
- Replace worn or damaged components with Medinah-approved parts.

NOTE: Always disconnect power before performing maintenance.

RETAIN THIS MANUAL FOR FUTURE USE