

# Essentia® Series Track

One and Two-Circuit Track - 4' & 6'

Rev. Date: V13 06/16/2026

## Product Description

Essentia® Series Track Rails are ideal for general purpose track lighting in indoor commercial, retail, or industrial applications. Features include an extruded aluminum body, Lexan fittings, a Noryl insert and No. 12 AWG solid copper conductors. Fixtures can be surface or pendant mounted and each track section includes two dead ends and mounting hardware. The track is also easy to cut to the exact size needed right at the job site. Two-circuit track offers double the load capacity which allows for more fixtures per section and the ability to operate each circuit separately, giving you a total of 3 different schemes. The Essentia® Series Track Rails come with a performance 1-year limited warranty.

**Applications:** General purpose track lighting for indoor commercial, retail or industrial applications

## Performance Summary

Features extruded aluminum body

**Input Voltage:** 120V, 60Hz

Fixtures can be surface or pendant mounted

**Limited Warranty<sup>1</sup>:** 1 year

UL and cUL Listed

<sup>1</sup>See <https://www.creelighting.com/resources/warranties/> for warranty terms

## Product Specifications

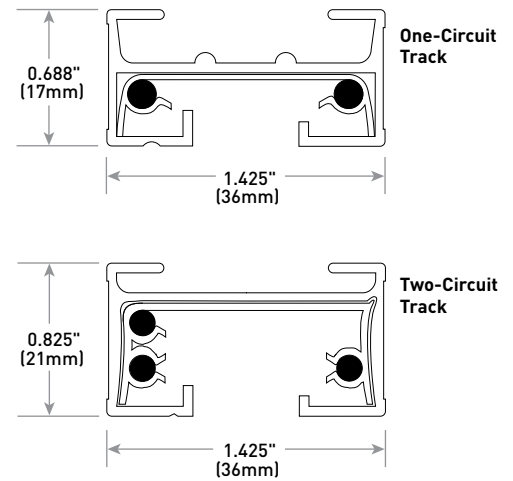
### CONSTRUCTION & MATERIALS

- Features an extruded aluminum body
- Features a Lexan® fittings, a Noryl® insert and No. 12 AWG solid copper conductors
- Listed to use with existing Juno® T & TU systems (not affiliated with Cree Lighting)
- Fixtures can be surface or pendant mounted
- Each track section includes two dead ends and mounting hardware
- Easy to cut to the exact size needed right at the job site
- Two-circuit track offers the ability of each circuit to be switched separately with the ability to create three different schemes on one section of track: first circuit on only, second circuit on only, or both circuits on together

**NOTE:** With two-circuit track 40 Amps consists of two 20 Amp feeds on different phases sharing a common neutral feed line. If both circuits are on the same phase, the total load between two circuits is limited to 20 Amps

### REGULATORY & VOLUNTARY QUALIFICATIONS

- cULus Listed
- Suitable for dry locations
- Designed for indoor use only
- **CA RESIDENTS WARNING:** Cancer and Reproductive Harm - [www.p65warnings.ca.gov](http://www.p65warnings.ca.gov)



## Ordering Information

Example: S-CT-T4-1C-BK

S-CT			
Series	Track Length	Circuit	Finish
S-CT Essentia Series Track	T4 4 Feet (44-7/16")	1C 1-Circuit	BK Black
S-CT Essentia Series Track	T4 4 Feet (44-7/16")	1C 1-Circuit	WH White
S-CT Essentia Series Track	T4 4 Feet (44-7/16")	2C 2-Circuit	BK Black
S-CT Essentia Series Track	T4 4 Feet (44-7/16")	2C 2-Circuit	WH White
S-CT Essentia Series Track	T6 6 Feet (68-7/16")	2C 2-Circuit	BK Black



© 2026 Cree Lighting USA LLC. All rights reserved. For informational purposes only. Content is subject to change. Patent [www.creelighting.com/patents](http://www.creelighting.com/patents). Essentia® is a registered trademark of Cree Lighting USA LLC. Cree Lighting® and the Cree Lighting logo are registered trademarks of CLNA Holdings LLC. The UL logo is a registered trademark of UL LLC.

Website: [creelighting.com](http://creelighting.com)

US: (800) 236-6800 Canada: (800) 473-1234

**CREE** ⇨ LIGHTING®