

C-HB-A-RDAL/RDPC Series

LED Round High Bay
Replaces up to 400W MH



DESIGNED WITH YOUR BUDGET IN MIND, THESE LED ROUND HIGH BAYS OFFER:

- A simple, streamlined design that's cost effective
- The right amount of power for your application - up to 124 lumens per watt
- Compact, lightweight design for easy installation



Prismatic

Aluminum

PRODUCT SPECIFICATIONS

OVERVIEW

- Initial Delivered Lumens: 18,500 or 26,500
- CRI: 70
- CCT: Cool White 5000K
- Mounting: Hook and cord, J-box or pendant
- Input Power: 160 or 210 Watts
- Dimmable: No
- Operating Range: 0°C (32°F) - 40°C (104°F)
- Lifespan: Estimated >100,000 Hours
- Power Factor: > 0.9
- Total Harmonic Distortion: < 15%
- Limited Warranty: 5-Years*
- Replaces 320W PSMH/400W MH

HIGH PERFORMANCE	VALUE	RECOMMENDED USE	INPUT VOLTAGE
<ul style="list-style-type: none"> • Up to 60% energy savings compared to HID equivalent • Next generation Cree arrays are engineered for consistent coverage 	<ul style="list-style-type: none"> • Comes standard without lens for low cleaning maintenance • 6' cord with straight blade plug included 	<ul style="list-style-type: none"> • Warehouses • Industrial • Retail 	<ul style="list-style-type: none"> • Universal (120V through 277V Operation)

ORDERING INFORMATION

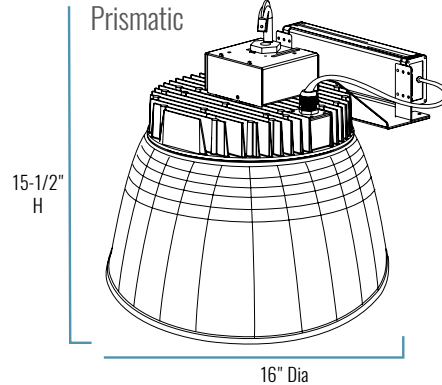
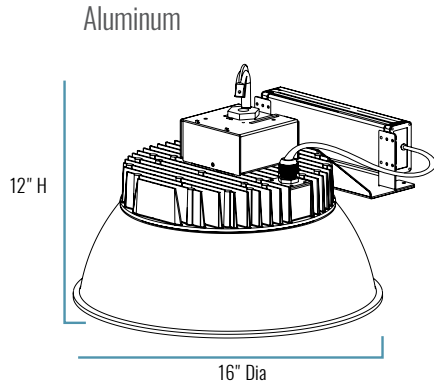
Example: C-HB-A-RDAL-18L-50K-WH

PRODUCT	REFLECTOR	LUMEN PACKAGE	CCT	COLOR
C-HB-A	RDAL Aluminum	18L 18,500 Lumens 160W	50K Cool White (5000K)	WH White
C-HB-A	RDPC Prismatic	26L 26,500 Lumens 210W		

CERTIFICATIONS:



C-HB-A-RDAL/RDPC Series



SERIES OVERVIEW

DIMENSIONS	PRODUCT WEIGHT	MOUNTING HEIGHT	SPACING
12" H x 16" Dia (Aluminum)	12.5 lbs.	RDAL-18L: 20 to 30 feet RDAL-26L: 25 to 40 feet	1 to 1-1/4 times the mounting height
15-1/2" H x 16" Dia (Prismatic)	13.0 lbs.	RDAL-18L: 20 to 30 feet RDAL-26L: 25 to 40 feet	1 to 1-1/4 times the mounting height

FIXTURE SPECIFICATIONS

HOUSING	Durable, die-cast aluminum heat sink & housing White polyester powder-coat finish
LENS ASSEMBLY	Comes standard with no lens. 16" spun aluminum reflector (white: C-HB-A-RDAL series) or 16" acrylic prismatic reflector (C-HB-A-RDPC series)
MOUNTING	Included hook and 6' cord with straight blade plug MOUNTING Pendant mount using 3/4" threaded conduit entry on top

ELECTRICAL PERFORMANCE





OPERATING RANGE	LIFESPAN L ₇₀ AT 25°C (77°F)	POWER FACTOR	TOTAL HARMONIC DISTORTION	DIMMABLE
0°C (32°F) - 40°C (104°F)	Estimated >100,000 Hours	> 0.9	< 15%	No
INPUT VOLTAGE	120V	208V	240V	277V
CURRENT DRAW (Amps): RDAL-18L/RDAC-18L	1.36A	0.78A	0.67A	0.59A
CURRENT DRAW (Amps): RDAL-26L/RDAC-26L	1.75A	1.01A	0.88A	0.76A

WARRANTY AND CERTIFICATIONS

WARRANTY	UL LISTED	DLC
5-Year Limited*	Damp Locations	DLC Qualified

C-HB-A-RDAL/RDPC Series

ACCESSORIES (available with fixture purchase only)

	<p>6' CORD & HOOK WITH TWIST-LOCK PLUG</p> <p>SKU: C-ACC-A-HKCRD-6FT-LV-TL (120V) C-ACC-A-HKCRD-6FT-HV-TL (277V) C-ACC-A-HKCRD-6FT-MV-TL (208V or 240V)</p>
	<p>6' CORD & HOOK WITH NO PLUG</p> <p>SKU: C-ACC-A-HKCRD-6FT-UV-NP (120V)</p>
	<p>6' CORD & HOOK WITH STRAIGHT BLADE PLUG</p> <p>SKU: C-ACC-A-HKCRD-6FT-LV-SB (120V)</p>
	<p>1/2" HOOK</p> <p>SKU: C-ACC-A-HK12</p>

© 2017 Cree, Inc. and/or one of its subsidiaries. All rights reserved. For informational purposes only. Content is subject to change. Patent www.cree.com/patents. C-LITE™ and the C-LITE logo are trademarks of Cree, Inc. The UL logo is a registered trademark of UL LLC. The DLC QPL logo is a registered trademark of Northeast Energy Efficiency Partnerships, Inc.

US: c-lite.com T (800) 236-6800 F (262) 504-5415

Canada: www.cree.com/canada T (800) 473-1234 F (800) 890-7507

Rev. Date: 11/28/2017

For informational purposes only. Content is subject to change. *See lighting.cree.com/warranty for details

C-LITE
LED LIGHTING BY CREE