

Project

Schedule

Date

Notes

DESCRIPTION

naturalLED® 10-watt Bulkhead Wall Light replaces incandescent 180-watt lamps, saving up to 80% of energy. Super energy efficient and lasts up to 50,000+ hours average life. naturalLED® wall lights are an ideal lighting solution for security lights, both residential, commercial and many other outdoor applications.



FEATURES

- Energy Star Qualified
- UL Wet
- Up to 80% energy savings
- Instant on
- Light weight
- Contains no mercury or lead
- 50,000 hrs rated average life
- Input line voltage: 120-277V
- Power Factor: >0.9
- THD: <20%
- Beam Angle: Flood
- Operating temperature: -22°F - 122°F
- Finish: Black / White

APPLICATIONS

- Security Lighting
- Accent Lighting
- Residential Lighting
- Outdoor Lighting
- Wall Lighting

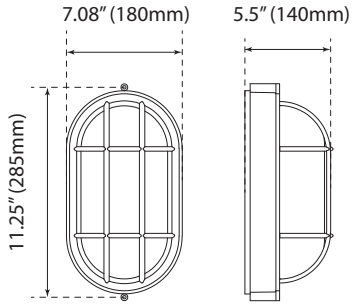
WARRANTY

- 5 Year Warranty

SPECIFICATIONS

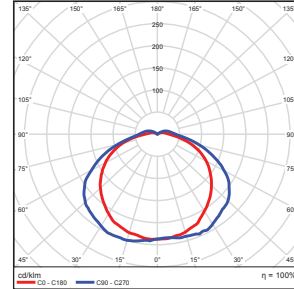
FXBWL - 10W

Weight: 3.53-lbs



PHOTOMETRICS CHART

BWL - Bulkhead Wall Light (10W)



Center Beam fc	Beam Width	
17.0ft	0.69 fc	62.4 ft 81.3 ft
34.0ft	0.17 fc	124.8 ft 162.7 ft
51.0ft	0.08 fc	187.3 ft 244.0 ft
68.0ft	0.04 fc	249.7 ft 325.4 ft
85.0ft	0.03 fc	312.1 ft 406.7 ft
102.0ft	0.02 fc	374.5 ft 488.1 ft

■ Vert. Spread: 122.8°
■ Horiz. Spread: 134.6°

ORDERING

Watts (W)	Ordering Code	Description	Color Temp (K)	Lumens (lm)	Equiv. Wattage (W)	Style	Color	Voltage	Rated Hrs	Wet	ES
10	7024	LED-FXBWL10/830/BK	3000K	900	100	Bulkhead	Black	120-277V	50,000	•	•
10	7062	LED-FXBWL10/830/WH	3000K	900	100	Bulkhead	White	120-277V	50,000	•	•
10	7025	LED-FXBWL10/850/BK	5000K	900	100	Bulkhead	Black	120-277V	50,000	•	•

PACKAGE

Master Pack: 2 pcs

