

# Noctura Series

LED Flood Luminaires — Series B

Rev. Date: V2 04/21/2026

## Product Description

The Noctura® LED Flood luminaire minimizes cost of ownership with easy installation, high performance and quality. The Noctura Series has a coordinated style across area, flood and wall mount luminaires to provide a consistent daytime appearance across a building site or campus. Versatile mounting configurations offer installation flexibility and ease of application for ground, direct pole, tenon or vertical flat surface mounting.

**Applications:** Ideal for both retrofit and new installation: accent, sign or facade lighting applications.

## Performance Summary

**Lumen Output:** 5,950/4,640/3,130 lumens

**Input Power:** 40W/30W/20W

**Efficacy:** Up to 156 LPW

**CRI:** Minimum 70 CRI

**CCT:** 4000K

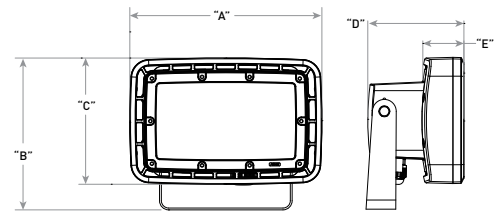
**Limited Warranty\*:** 5 years for luminaire, mounts, and cables/7 years for conduit slipfitter/1 year for remaining field-installed accessories

\* See <https://www.creelighting.com/resources/warranties/> for warranty terms.

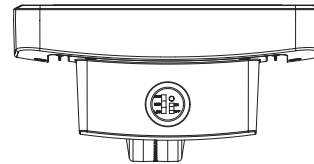
## Accessories

| Field-Installed  |  |
|--|--|
| <b>Cable</b><br>NTX-QC-5 (120-277 Volt only)<br>NTX-QC-5-U (120-480 Volt)<br>- 5' (1.5m) cable replacement | <b>Conduit Slipfitter</b><br>MNH-2<br>- For use only with NTF-KN-BZ mount<br>- Hub with threaded entry for 1/2" knuckle mount<br>- Slips over a 2.375" (60mm) O.D. pipe or tenon<br>- Refer to <a href="#">Bracket and Tenon spec sheet</a> for more details |
| <b>Top Visor</b><br>NTF-TV-6L-BZ<br>- Lumen multiplier from standard optic: 0.948                          |  |

## S6L Yoke Mount (NTF-YM-6L-BZ)



## Selectable Switch



| Lumen Package | Weight*             | Dim "A"         | Dim "B"         | Dim "C"         | Dim "D"         | Dim "E"        |
|---------------|---------------------|-----------------|-----------------|-----------------|-----------------|----------------|
| S6L           | 3.6 lbs.<br>(1.6kg) | 9.5"<br>(241mm) | 6.7"<br>(170mm) | 5.7"<br>(145mm) | 4.1"<br>(104mm) | 1.8"<br>(46mm) |

See page 3 for additional line drawing.

\* Includes housing & mount (for housing weight only refer to page 2).

## Ordering Information

Fully assembled luminaire is composed of two components that must be ordered separately:

Example: **Mount:** NTF-YM-6L-BZ + **Luminaire:** NTFS-B-S6L-40K7-44-UL-NM-BZ-P

| Mount (Luminaire must be ordered separately)*                          |
|--|
| <b>Knuckle Mount</b><br>NTF-KN-BZ<br><b>Yoke Mount</b><br>NTF-YM-6L-BZ |

| Luminaire (Mount must be ordered separately) |            |               |  |                       |                 |                          |   |              |                       |
|--|------------|---------------|--|-----------------------|-----------------|--------------------------|---|--------------|-----------------------|
| NTF  | S          | B             | S6L  | 40K7                  | 44              | UL                       | NM  | BZ           | P                     |
| Family                                       | Size       | Series        | Lumen Package  | CCT/CRI               | Optic           | Voltage                  | Mounting  | Finish       | Photocell             |
| NTF<br>Noctura® Flood Luminaire              | S<br>Small | B<br>Series B | Small<br>S6L<br>Selectable Lumen Package<br>(5,950/4,620/3,130 Lumens)<br>- Ships from factory at 5,950 lumens | 40K7<br>4000K, 70 CRI | 44<br>NEMA® 4X4 | UL<br>Universal 120-277V | NM<br>No Mount<br>- Must specify mount from table above<br>- Mount ships separately | BZ<br>Bronze | P<br>Button Photocell |



Website: [creelighting.com](http://creelighting.com)

US: (800) 236-6800 Canada: (800) 473-1234

**CREE** ⇄ **LIGHTING**

## Product Specifications

### CONSTRUCTION & MATERIALS

- Luminaire housing is rugged die cast aluminum with integral LED driver compartment which is specifically designed for LED applications with advanced LED thermal management
- Housing and mounting accessories finished in bronze polyester powder coat paint, 2.5 mil nominal thickness
- S6L selectable lumen package includes integral switch with three levels of lumen output for maximum flexibility in the field. Luminaire ships with the lumen output switch set to high
- S6L selectable lumen package includes integral photocell with on/off switch. Luminaire ships with the photocell switch set to on
- Mounting options for S6L include:**
  - Yoke Mount is heavy gauge steel construction and mounts to flat surfaces
  - Yoke mount includes 18" (340mm) prewired SOW cord exiting the housing
  - Mounting for the knuckle adaptor is rugged die cast aluminum and mounts to 1/2" (12.7mm) NPT, junction box cover (supplied by others)
  - Knuckle mount includes tooth lock aiming that can be adjusted 180° in 5° increments
- Housing Weight:** S6L-3.2 lbs. (1.4kg)

### OPTICS

- Mid-power LED array Floodlight optics are available in: medium flood (NEMA 4x4) for 4000K CCTs with a minimum of 70 CRI. Efficacies up to 156 LPW for minimal energy consumption.

### ELECTRICAL SYSTEM

- Input Voltage:** 120-277V, 50/60Hz
- Power Factor:** > 0.9 at full load
- Total Harmonic Distortion:** < 20% at full load
- When code dictates fusing, a slow blow fuse or type C/D breaker should be used to address inrush current
- Integral 10kV/5kA surge suppression protection standard
- Operating Temperature Range:** -30°C - +40°C (-22°F - +104°F)

### REGULATORY & VOLUNTARY QUALIFICATIONS

- cULus Listed (UL1598)
- Suitable for wet locations
- Meets NEMA C82.77 standards
- Drivers and LEDs are UL Recognized in accordance with UL8750
- Enclosure meets IP66 requirements per IEC 60529
- ANSI C136.2 10kV/5kA surge protection, tested in accordance with IEEE/ANSI C62.41.2
- Meets FCC Part 15, Subpart B, Class A limits for conducted and radiated emissions
- RoHS compliant. Consult factory for additional details
- Knuckle mount is certified to ANSI C136.31-2018, 3G vibration standards. Yoke mount is certified to ANSI C136.31-2001, 1.5G vibration standards
- CA RESIDENTS WARNING:** Cancer and Reproductive Harm – [www.p65warnings.ca.gov](http://www.p65warnings.ca.gov)

| Electrical Data* |         |                       |                   |      |      |      |
|------------------|---------|-----------------------|-------------------|------|------|------|
| Lumen Package    | Setting | System Watts 120-277V | Total Current (A) |      |      |      |
|                  |         |                       | 120V              | 208V | 240V | 277V |
| S6L              | High    | 40                    | 0.34              | 0.19 | 0.17 | 0.15 |
|                  | Medium  | 30                    | 0.25              | 0.15 | 0.13 | 0.12 |
|                  | Low     | 20                    | 0.17              | 0.10 | 0.09 | 0.08 |

\* Electrical data at 25°C (77°F). Actual wattage may differ by +/- 10% when operating between 120-277V +/-10%.

| Noctura Series Ambient Adjusted Lumen Maintenance <sup>1</sup> |             |                                  |                                  |                                  |                                   |
|--|-------------|----------------------------------|----------------------------------|----------------------------------|-----------------------------------|
| Ambient  | Initial LMF | 25K hr Reported <sup>2</sup> LMF | 50K hr Reported <sup>2</sup> LMF | 75K hr Reported <sup>2</sup> LMF | 100K hr Reported <sup>2</sup> LMF |
| 5°C (41°F)   | 1.04        | 0.98                             | 0.93                             | 0.88                             | 0.84                              |
| 10°C (50°F)  | 1.03        | 0.97                             | 0.92                             | 0.87                             | 0.83                              |
| 15°C (59°F)  | 1.02        | 0.97                             | 0.91                             | 0.87                             | 0.82                              |
| 20°C (68°F)  | 1.01        | 0.96                             | 0.90                             | 0.86                             | 0.81                              |
| 25°C (77°F)  | 1.00        | 0.95                             | 0.90                             | 0.85                             | 0.80                              |
| 30°C (86°F)  | 0.99        | 0.94                             | 0.89                             | 0.84                             | 0.80                              |
| 35°C (95°F)  | 0.98        | 0.93                             | 0.88                             | 0.83                             | 0.79                              |
| 40°C (104°F)   | 0.97        | 0.92                             | 0.87                             | 0.82                             | 0.78                              |

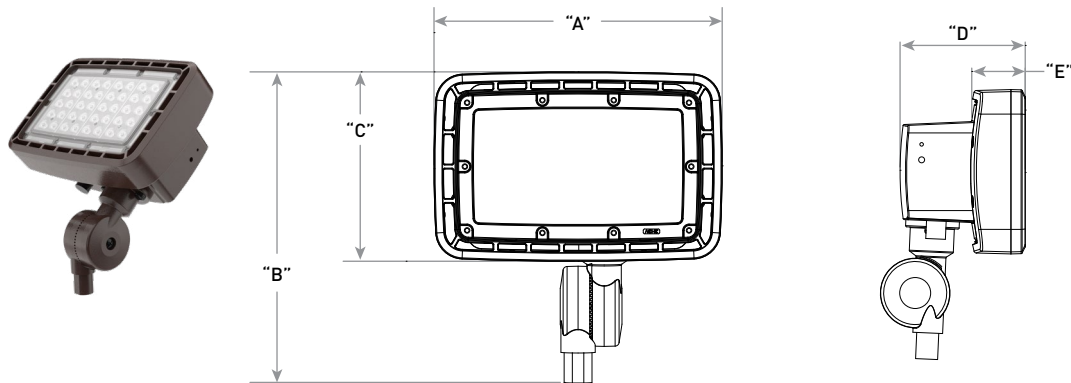
<sup>1</sup>Lumen maintenance values at 25°C (77°F) are calculated per IES TM-21 based on IES LM-80 report data for the LED package and in-situ luminaire testing. Luminaire ambient temperature factors (LATF) have been applied to all lumen maintenance factors. Please refer to the [Temperature Zone Reference Document](#) for outdoor average nighttime ambient conditions.

<sup>2</sup>In accordance with IES TM-21, Reported values represent interpolated values based on time durations that are up to 6x the tested duration in the IES LM-80 report for the LED.

| Noctura Series Flood Distributions |                    |             |
|------------------------------------|--------------------|-------------|
| Optic                              | Field Angle Range* | Beam Angle* |
| 44                                 | 46-70              | 30D         |

\* The field angle is the included angle between points of 10% of maximum intensity, and the beam angle is the included angle between points of 50% of maximum intensity.

**S6L  
Knuckle Mount (NTF-KN-BZ)**



| Lumen Package | Weight*          | Dim "A"      | Dim "B"      | Dim "C"      | Dim "D"      | Dim "E"     |
|---------------|------------------|--------------|--------------|--------------|--------------|-------------|
| S6L           | 3.6 lbs. [1.6kg] | 9.5" [241mm] | 6.7" [170mm] | 5.7" [145mm] | 4.1" [104mm] | 1.8" [46mm] |

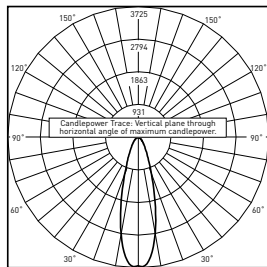
\* Includes housing & mount (for housing weight only refer to page 2).

**Photometry**

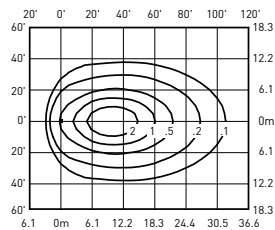
All published luminaire photometric testing performed to IES LM-79 standards. To obtain an IES file specific to your project consult:

<http://creelighting.com/products/outdoor/flood/noctura-flood>

44



**RESTL TEST REPORT:** PL18971-003B  
NTFS-B-S6L-40K7-44-UL-\*\*-\*\*-P  
Initial Delivered Lumens: 5,841



NTFS-B-S6L-40K7-44-UL-\*\*-\*\*-P  
Mounting Height: 25' [7.6m] A.F.G., 60° Tilt  
Initial Delivered Lumens: 5,950  
Initial FC at grade

| NEMA® 4X4 Flood Distribution |         |                           |                |
|------------------------------|---------|---------------------------|----------------|
| Lumen Package                | Setting | Initial Delivered Lumens* | Efficacy (LPW) |
| S6L                          | High    | 5,950                     | 148            |
|                              | Medium  | 4,620                     | 154            |
|                              | Low     | 3,130                     | 156            |

\* Initial delivered lumens at 25°C (77°F). Actual production yield may vary between -10 and +10% of initial delivered lumens.