

Noctura Series

LED Area Luminaires - Series B

Rev. Date: V3 04/15/2026

Product Description

The Noctura® LED Area luminaire minimizes cost of ownership with easy installation, high performance and quality backed by a Cree Lighting 5-year limited warranty. The Noctura Series has a coordinated style across area, flood and wall mount luminaires to provide a consistent daytime appearance across a building site or campus. Versatile mounting configurations offer installation flexibility and ease of application for direct pole, tenon or vertical flat surface mounting.

Applications: Ideal for both retrofit and new installation: parking area, security, or site pathway applications.

Performance Summary

Lumen Output: 11,475/10,250/9,000 selectable lumens

Input Power: 75W/65W/55W

Efficacy: Up to 164 LPW

CRI: Minimum 70 CRI

CCT: 4000K

Limited Warranty*: 5 years for luminaire, mounts, backlight shields, occupancy sensor and cables/1 year for remaining field-installed accessories and replacement parts

* See <https://www.creelighting.com/resources/warranties/> for warranty terms

Accessories

Field-Installed

Button Photocell

JL-423CZ

Cable

NTX-QC-5 (120-277 Volt only)

NTX-QC-5-U (120-480 Volt)

- 5' (1.5m) cable replacement

Shorting Cap

XA-XSLSHRT

Ordering Information

Fully assembled luminaire is composed of two components that must be ordered separately:

Example: **Mount:** NTA-DA-BZ-U + **Luminaire:** NTAM-B-S11L-40K7-4M-UL-NM-BZ

Mount (Luminaire must be ordered separately)*

Direct Arm Mounts

NTA-DA-BZ-U (120-480 Volt)

- Direct Arm Mount

NTX-7R-BZ-U (120-480 Volt)

- Extended Arm includes

a NEMA® 7-pin Photocell

Receptacle

- Must be used with

NTA-DA-BZ-U mount

NTX-3R-BZ (120-277 Volt)

- Extended Arm includes a NEMA® 3-pin Photocell

Receptacle

- Must be used with NTA-DA-BZ-U mount

Note: NEMA® 3-pin and 7-pin Photocell Receptacles require photocell or shorting cap by others

Adjustable Arm Mounts

NTX-AA-BZ-U (120-480 Volt)

- Adjustable Arm Mount w/

knockout for Field-Installed

Button Photocell (by others)

NTX-AA-7R-BZ-U (120-480 Volt)

- Adjustable Arm Mount w/NEMA®

7-pin Photocell Receptacle

Trunnion Mounts

NTX-TR-BZ-U (120-480 Volt)

- Trunnion Mount

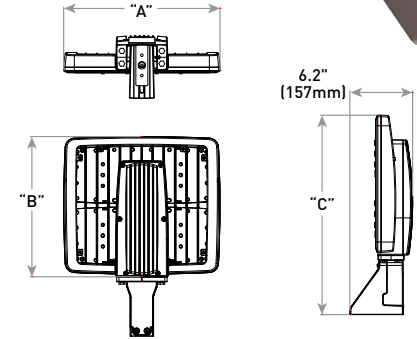
NTX-TR-7R-BZ-U (120-480 Volt)

- Trunnion Mount w/NEMA® 7-pin

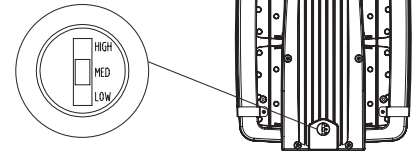
Photocell Receptacle

* Reference EPA and pole configuration suitability data beginning on page 6

NTAM Direct Mount (NTA-DA-BZ-U)



Selectable Switch



Lumen Package	Weight**	Dim "A"	Dim "B"	Dim "C"
S11L*	12.5 lbs. (5.7kg)	10.6" (269mm)	12.9" (328mm)	18.7" (476mm)

* See pages 3-5 for additional line drawings

** Includes housing & mount (for housing weight only refer to page 2)

Note: Refer to page 7 for fixture mounting drill pattern.

Luminaire (Mount must be ordered separately)									
NTA	M	B	S11L	40K7	4M	UL	NM	BZ	
Family	Size	Series	Lumen Package	CCT/CRI	Optic	Voltage	Mounting	Finish	
NTA Noctura® Area Luminaire	M Medium	B Version B	Medium S11L Selectable Lumen Package (11,475/10,250/9,000 Lumens) - Ships from factory at 11,475 lumens	40K7 4000K, 70 CRI	4M Type IV Mid	UL Universal 120-277V	NM No Mount - Must specify mount from table above - Mount ships separately	BZ Bronze	



Website: creelighting.com

US: (800) 236-6800 Canada: (800) 473-1234

CREE ⇄ **LIGHTING**

Product Specifications

CONSTRUCTION & MATERIALS

- Slim, low profile design minimizes wind load requirements
- Luminaire housing is rugged die cast aluminum with weathertight integral LED driver compartment which is specifically designed for advanced LED thermal management
- Housing and mounting accessories finished in bronze polyester powder coat paint, 2.5 mil nominal thickness
- Mounting options include: adjustable arm w/knockout provision for field-installed button type photocell (by others), adjustable arm w/NEMA® 7-pin photocell receptacle, trunnion mount, trunnion mount w/NEMA® 7-pin photocell receptacle, and direct arm mount
- Extension arm accessory for direct arm mount with a NEMA® 3-pin or 7-pin photocell receptacle
- Photocell or shorting cap by others
- Adjustable arm mount is constructed of rugged die cast aluminum and mounts to 2" (51mm) IP, 2.375" (60mm) O.D. tenons. It includes tooth lock aiming that can be adjusted from 0° (horizontal) to 45° in 5° increments
- Trunnion mount features rugged steel construction, mounts to vertical flat surfaces, and can be adjusted from 0° (horizontal) to 45° in 15° increments
- Direct arm is constructed of rugged die cast aluminum and mounts to 3-6" (76-152mm) square poles or 4-5" (102-127mm) round poles with (2) 5/16" bolts
- Mount secures to luminaire housing with (4) 5/16" bolts and lock washers (included)
- Designed for downlight applications only, 45-degree tilt maximum
- **Housing Weight:** S11L-8.6 lbs. (3.9kg)

OPTICS

- Mid-power LED array Area optics are available in IES Type IV distribution for 4000K CCT with a minimum of 70 CRI. Efficacies up to 164 LPW for minimal energy consumption.

ELECTRICAL SYSTEM

- **Input Voltage:** 120-277V, 50/60Hz
- **Power Factor:** > 0.9 at full load
- **Total Harmonic Distortion:** < 20% at full load
- Selectable lumen packages (S11L) include integral switch for maximum lumen output flexibility
- Integral 10kV/5kA surge suppression protection standard
- When code dictates fusing, a slow blow fuse or type C/D breaker should be used to address inrush current
- Quick connect supply cord makes installation easy
- Designed with 0-10V dimming capabilities. Controls by others
- **10V Source Current:** 0.20 mA
- **Operating Temperature Range:** -30°C - +40°C (-22°F - +104°F)

REGULATORY & VOLUNTARY QUALIFICATIONS

- cULus Listed (UL1598)
- Suitable for wet locations
- Meets NEMA C82.77 standards
- Drivers and LEDs are UL Recognized in accordance with UL8750
- Enclosure meets IP66 requirements per IEC 60529
- Direct and adjustable arms are certified to ANSI C136.31-2018, 3G vibration standards. Trunnion mounts are certified to ANSI C136.31-2001, 1.5G vibration standards
- ANSI C136.2 10kV/5kA surge protection, tested in accordance with IEEE/ANSI C62.41.2
- Meets FCC Part 15, Subpart B, Class A limits for conducted and radiated emissions
- RoHS compliant. Consult factory for additional details
- **CA RESIDENTS WARNING:** Cancer and Reproductive Harm – www.p65warnings.ca.gov

Electrical Data*						
Lumen Package	Setting	System Watts 120-277V	Total Current (A)			
			120V	208V	240V	277V
S11L	High	75	0.70	0.40	0.35	0.30
	Medium	65	0.62	0.36	0.31	0.26
	Low	55	0.53	0.31	0.27	0.23

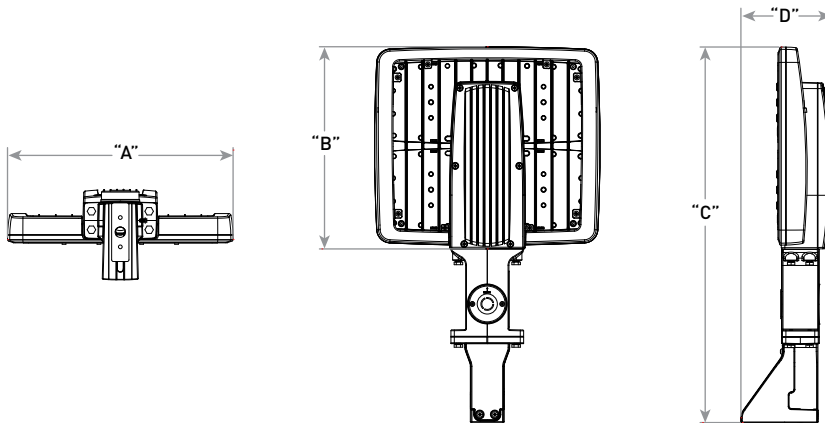
* Electrical data at 25°C (77°F). Actual wattage may differ by +/- 10% when operating between 120-277V +/-10%

Noctura Series Ambient Adjusted Lumen Maintenance ¹					
Ambient	Initial LMF	25K hr Reported ² LMF	50K hr Reported ² LMF	75K hr Reported ² LMF	100K hr Reported ² LMF
5°C (41°F)	1.04	0.98	0.93	0.88	0.84
10°C (50°F)	1.03	0.97	0.92	0.87	0.83
15°C (59°F)	1.02	0.97	0.91	0.87	0.82
20°C (68°F)	1.01	0.96	0.91	0.86	0.81
25°C (77°F)	1.00	0.95	0.90	0.85	0.80
30°C (86°F)	0.99	0.94	0.89	0.84	0.80
35°C (95°F)	0.98	0.93	0.88	0.83	0.79
40°C (104°F)	0.97	0.92	0.87	0.82	0.78

¹ Lumen maintenance values at 25°C (77°F) are calculated per IES TM-21 based on IES LM-80 report data for the LED package and in-situ luminaire testing. Luminaire ambient temperature factors (LATF) have been applied to all lumen maintenance factors. Please refer to the [Temperature Zone Reference Document](#) for outdoor average nighttime ambient conditions.

² In accordance with IES TM-21, Reported values represent interpolated values based on time durations that are up to 6x the tested duration in the IES LM-80 report for the LED.

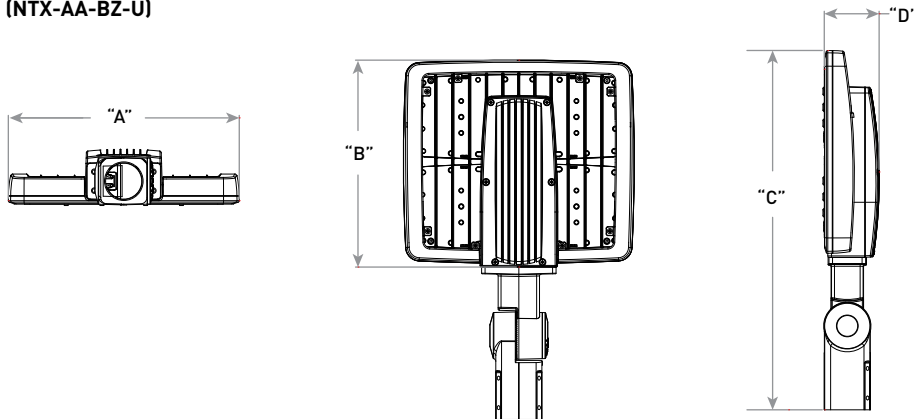
NTAM
Direct Mount w/ Extended Arm, NEMA® 3-Pin or 7-pin Photocell Receptacle
(NTA-DA-BZ-U w/ NTX-3R-BZ or NTX-7R-BZ-U)



Lumen Package	Weight*	Dim "A"	Dim "B"	Dim "C"	Dim "D"
S11L	15.0 lbs. (6.8kg)	10.6" (269mm)	12.9" (327mm)	24.7" (628mm)	6.2" (157mm)

* Includes housing & mount (for housing weight only refer to page 2)

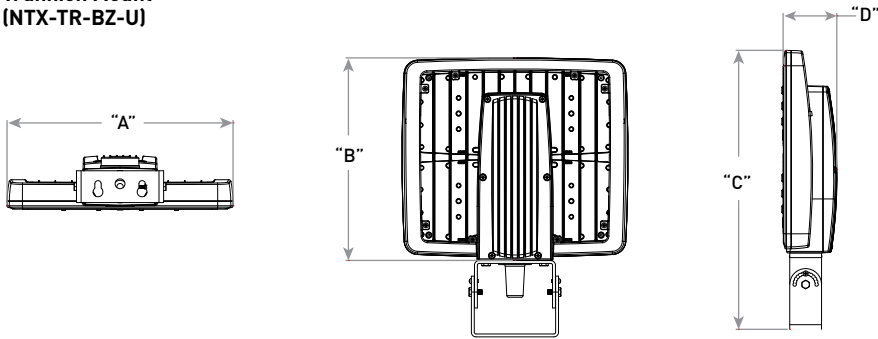
NTAM
Adjustable Arm Mount w/Knockout for Field-Installed Button Photocell (by others)
(NTX-AA-BZ-U)



Lumen Package	Weight	Dim "A"	Dim "B"	Dim "C"	Dim "D"
S11L	12.3 lbs. (5.6kg)	10.6" (269mm)	12.9" (327mm)	23.0" (585mm)	3.6" (92mm)

* Includes housing & mount (for housing weight only refer to page 2)

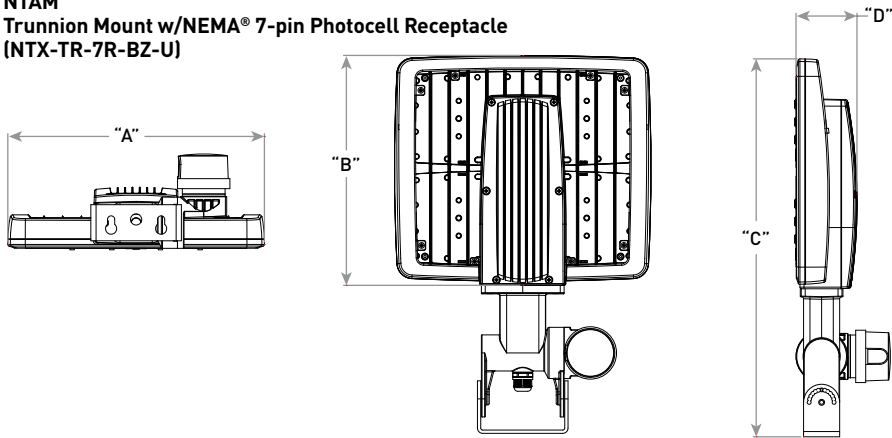
**NTAM
Trunnion Mount
(NTX-TR-BZ-U)**



Lumen Package	Weight*	Dim "A"	Dim "B"	Dim "C"	Dim "D"
S11L	11.7 lbs. (5.3kg)	10.6" (269mm)	12.9" (327mm)	18.1" (459mm)	3.6" (92mm)

* Includes housing & mount (for housing weight only refer to page 2)

**NTAM
Trunnion Mount w/NEMA® 7-pin Photocell Receptacle
(NTX-TR-7R-BZ-U)**



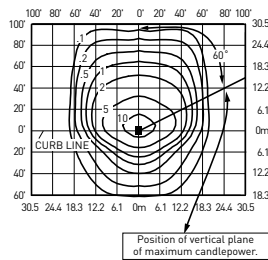
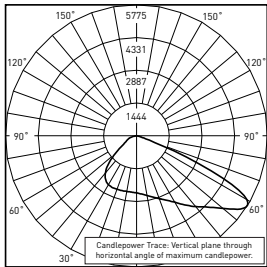
Lumen Package	Weight*	Dim "A"	Dim "B"	Dim "C"	Dim "D"
S11L	12.8 lbs. (5.8kg)	10.7" (273mm)	12.9" (327mm)	21.8" (553mm)	3.6" (92mm)

* Includes housing & mount (for housing weight only refer to page 2)

Photometry

All published luminaire photometric testing performed to IES LM-79 standards. To obtain an IES file specific to your project consult: <http://www.creelighting.com/products/outdoor/area/noctura-area>

4M



RESTL Test Report #: 18717-001A
 NTAM-B-S11L-40K7-4M-UL-xx-xx
Initial Delivered Lumens: 12,174

NTAX-B-35L-40K7-4M-UL-xx-xx
Mounting Height: 25' (7.6m) A.F.G.
Initial Delivered Lumens: 35,600
 Initial FC at grade

Type IV Medium Distribution			
Lumen Package	Setting	4000K (70 CRI)	
		Initial Delivered Lumens*	BUG Ratings** per TM-15-20
S11L	High	11,475	B3 U0 G2
	Medium	10,250	B3 U0 G2
	Low	9,000	B3 U0 G1

* Initial delivered lumens at 25°C (77°F). Actual production yield may vary between -10 and +10% of initial delivered lumens
 ** For more information on the IES BUG (Backlight-Uplight-Glare) Rating visit: <https://www.ies.org/wp-content/uploads/2017/03/TM-15-11BUGRatingsAddendum.pdf>. Valid with no tilt

Luminaire EPA

Adjustable Arm Mount - NTX-AA-BZ-U w/housing Weight: S11L: 12.3 lbs. (5.6kg) Add 1.1lbs. (0.5kg) for NTX-AA-7R-BZ-U mount								
Lumen Package	Single	2 @ 90°	2 @ 180°	3 @ 90°	3 @ 120°	3 @ 180°	4 @ 90°	4 @ 180°
Tenon Configuration Single (0°-45° Tilt): If used with Cree Lighting tenons, please add tenon EPA with Luminaire EPA								
	PB-1A*; PT-1; PW-1A3**	PB-2A*; PB-2R2.375; PD-2A4(90); PT-2(90)*	PB-2A*; PB-2R2.375; PD-2A4(180); PT-2(180); PW-2A3**	PB-3A*; PB-3R2.375; PD-3A4(90); PT-3(90)	PB-3A*; PB-3R2.375; PT-3(120)	PB-3A*; PB-3R2.375	PB-4A*(90); PB-4R2.375; PD-4A4(90); PT-4(90)	PB-4A*(180); PB-4R2.375
0° Tilt								
S11L	0.56	1.12	1.12	1.49	1.49	1.49	1.86	1.86
10° Tilt								
S11L	0.56	1.12	1.12	1.66	1.66	1.66	2.20	2.20
20° Tilt								
S11L	0.67	1.34	1.34	2.01	2.01	2.01	2.68	2.68
30° Tilt								
S11L	0.77	1.54	1.54	2.31	2.31	2.31	3.08	3.08
45° Tilt								
S11L	0.86	1.72	1.72	2.58	2.58	2.58	3.44	3.44

* Specify pole size: 3 (3"), 4 (4"), 5 (5"), or 6 (6") for single, double or triple luminaire orientation or 4 (4"), 5 (5"), or 6 (6") for quad luminaire orientation
 ** These EPA values must be multiplied by the following ratio: Fixture Mounting Height/Total Pole Height. Specify pole size: 3 (3"), 4 (4"), 5 (5"), or 6 (6")

Tenon EPA




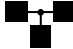


Part Number	EPA
PB-1A*	None
PB-2A*	0.82
PB-3A*	1.52
PB-4A*(180)	2.22
PB-4A*(90)	1.11
PB-2R2.375	0.92
PB-3R2.375	1.62
PB-4R2.375	2.32
PD Series Tenons	0.09
PT Series Tenons	0.10
PW-1A3**	0.47
PW-2A3**	0.94
WM-2	0.08
WM-4	0.25

* Specify pole size: 3 (3"), 4 (4"), 5 (5"), or 6 (6") for single, double or triple luminaire orientation or 4 (4"), 5 (5"), or 6 (6") for quad luminaire orientation
 ** These EPA values must be multiplied by the following ratio: Fixture Mounting Height/Total Pole Height. Specify pole size: 3 (3"), 4 (4"), 5 (5"), or 6 (6")

Tenons and Brackets [†] (must specify color)	
<p>Square Internal Mount Vertical Tenons (Steel) - Mounts to 3-6" (76-152mm) square aluminum or steel poles</p> <p>PB-1A* - Single PB-4A*(90) - 90° Quad PB-2A* - 180° Twin PB-4A*(180) - 180° Quad PB-3A* - 180° Triple</p> <p>Square Internal Mount Horizontal Tenons (Aluminum) - Mounts to 4" (102mm) square aluminum or steel poles</p> <p>PD-2A4(90) - 90° Twin PD-3A4(90) - 90° Triple PD-2A4(180) - 180° Twin PD-4A4(90) - 90° Quad</p> <p>Wall Mount Brackets - Mounts to wall or roof</p> <p>WM-2 - Horizontal for NTX-AA mounts WM-4 - L-Shape for NTX-AA mounts</p>	<p>Round External Mount Vertical Tenons (Steel) - Mounts to 2.375" (60mm) O.D. round aluminum or steel poles or tenons</p> <p>PB-2R2.375 - Twin PB-4R2.375 - Quad PB-3R2.375 - Triple</p> <p>Round External Mount Horizontal Tenons (Aluminum) - Mounts to 2.375" (60mm) O.D. round aluminum or steel poles or tenons</p> <p>- Mounts to square pole with PB-1A* tenon</p> <p>PT-1 - Single (Vertical) PT-3(90) - 90° Triple PT-2(90) - 90° Twin PT-3(120) - 120° Triple PT-2(180) - 180° Twin PT-4(90) - 90° Quad</p> <p>Mid-Pole Bracket - Mounts to square pole</p> <p>PW-1A3** - Single PW-2A3** - Double</p> <p>Ground Mount Post - For ground-mounted flood luminaires PGM-1 - for NTX-AA mounts</p>

[†] Refer to the [Bracket and Tenons spec sheet](#) for more details

Luminaire EPA

Direct Arm Mount - NTA-DA-BZ-U w/housing Weight: S11L: 12.5 lbs. (5.7kg) Add 2.4 lbs. (1.1kg) for NTX-3R-BZ or NTX-7R-BZ-U Extended Arms						
Lumen Package	Single	2 @ 90°	2 @ 180°	3 @ 90°	3 @ 120°	4 @ 90°
						
S11L	0.50	0.83	1.00	1.33	1.00	1.66

Direct Mount Configurations

Compatibility with NTA-DA-BZ-U and NTA-DA-BZ-U w/ NTX-3R-BZ or NTX-7R-BZ-U Direct Arm Mounts					
Lumen Package	2 @ 90°	2 @ 180°	3 @ 90°	3 @ 120°	4 @ 90°
3" Square					
S11L	✓	✓	✓	N/A	✓
4" Square					
S11L	✓	✓	✓	N/A	✓
4" Round					
S11L	✓	✓	✓	✓	✓
5" Square					
S11L	✓	✓	✓	N/A	✓
5" Round					
S11L	✓	✓	✓	✓	✓
6" Square					
S11L	✓	✓	✓	N/A	✓

Fixture Mounting Drill Pattern for NTA-DA-BZ-U

