

IMPORTANT SAFEGUARDS

INSTALLATION INSTRUCTIONS
INSTRUCTIONS D'INSTALLATION

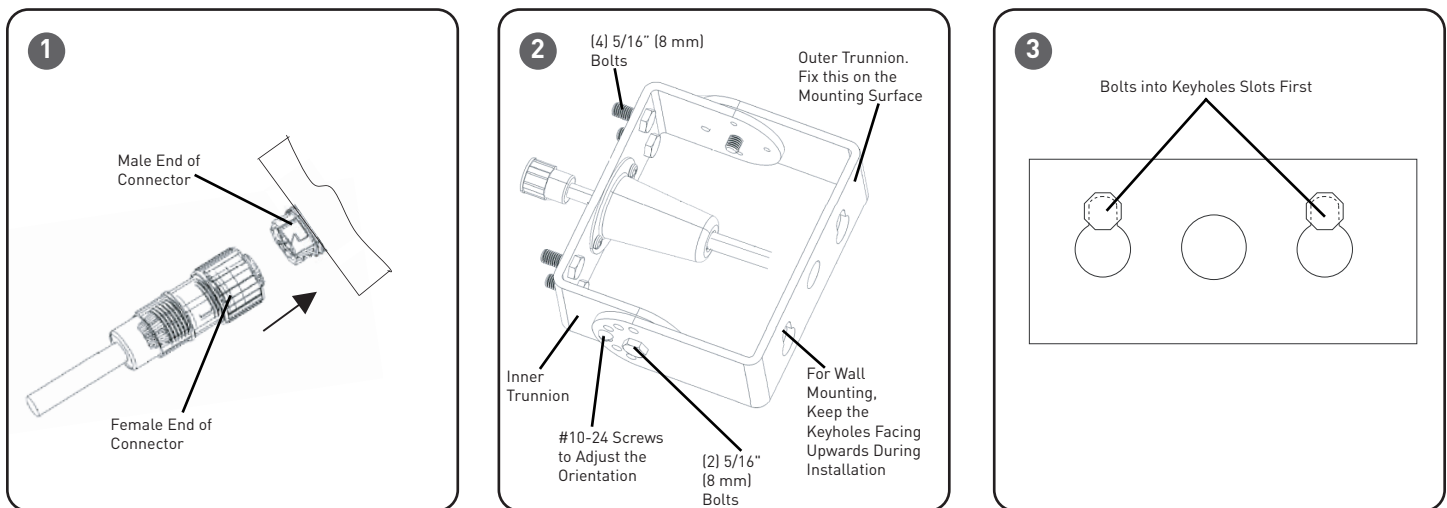
When using electrical equipment, basic safety precautions should always be followed including the following:

READ AND FOLLOW ALL SAFETY INSTRUCTIONS

- DANGER**- Risk of shock- Disconnect power before installation.
DANGER – *Risque de choc – Couper l'alimentation avant l'installation.*
- This luminaire must be installed in accordance with the NEC or your local electrical code. If you are not familiar with these codes and requirements, consult a qualified electrician.
Ce produit doit être installé conformément à NEC ou votre code électrique local. Si vous n'êtes pas familier avec ces codes et ces exigences, veuillez contacter un électricien qualifié.
- Suitable for wet locations.
Convient aux emplacements mouilles
- Suitable for operation in ambient not exceeding 40°C.
Peut être utilise a une temperature ambiante n'excédant pas 40°C.
- Suitable for mounting within 1.2M (4ft) of the ground.
Peut être installé a moins de 1,2 m (4 pi) du sol.
- Min. 75°C supply conductors.
Les fils d'alimentation 75°C min.
- Class 1 wiring only.
Cablage de classe 1 uniquement.

SAVE THESE INSTRUCTIONS FOR FUTURE REFERENCE

TO INSTALL:



TRUNNION MOUNT- REQUIRES USE OF NTX-TR ACCESSORY

NOTE: Area lights are only designed for mounting orientation from 0° (horizontal) to 45° tilt.

NOTE: Area lights are not to be used as uplights.

STEP 1:

Plug the female end of the quick connect, supplied with the trunnion, into the male connector on the luminaire. Make sure the two halves lock together. See **Figure 1**.

STEP 2:

Align the four holes in the inner trunnion with the four tapped holes in the luminaire housing. Attach the trunnion to the luminaire using

the (4) 5/16" (8 mm) bolts and lockwashers supplied with the trunnion kit. Tighten bolts to 132 in-lbs (15 N-m). See **Figure 2**.

STEP 3:

Mount the luminaire in the desired location using (2) 3/8" (10 mm) bolts (customer supplied) appropriate for the mounting surface. See **Figure 3**.

STEP 4:

Make wiring connections to the cord leads per the **Electrical Connections** section.

STEP 5:

Remove #10-24 positioning screws on both sides of the trunnion.

STEP 6:

Loosen 5/16" (8 mm) hex head bolts located on both sides of the trunnion.

STEP 7:

Rotate trunnion to desired tilt angle. Line up inner and outer trunnion positioning holes.

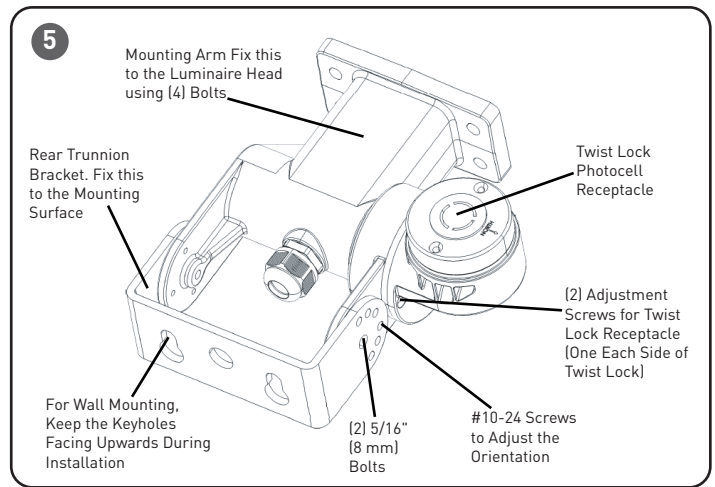
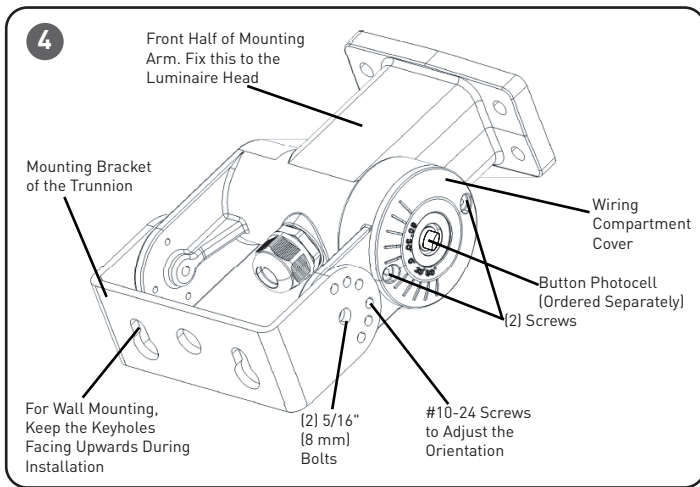
STEP 8:

Insert one #10-24 screw, removed in Step 5, into matching holes of inner and outer trunnions. Tighten screw to 30 in-lbs (35 N-m). Repeat with screw on opposite side of trunnion.

STEP 9:

Tighten both 5/16" hex head bolts on opposite sides of the trunnion to 132 in-lbs (15 N-m).





TRUNNION WITH BUTTON PHOTOCELL- REQUIRES USE OF NTX-TR-PK ACCESSORY AND BUTTON PHOTOCELL (ORDERED SEPARATELY)

NOTE: Area lights are only designed for mounting orientation from 0° (horizontal) to 45° tilt.

NOTE: Area lights are not to be used as uplights.

STEP 1:

Plug the female end of the quick connect, supplied with the trunnion, into the male connector on the luminaire. Make sure the two halves lock together. See **Figure 1**.

STEP 2:

Align the four holes in the front half of the trunnion with the four tapped holes in the luminaire housing. Attach the trunnion to the luminaire using the (4) 5/16" (8 mm) bolts and lockwashers supplied with the trunnion kit. Tighten bolts to 132 in-lbs (15 N-m). See **Figure 4**.

STEP 3:

Remove wiring compartment cover on trunnion by loosening (2) screws. See **Figure 4**.

STEP 4:

Remove the center knockout from the cover by striking knockout with a hammer and punch.

STEP 5:

Remove the nut from the threaded nipple of the photocell and insert the threaded nipple of the photocell through the hole in the cover. The body of the photocell and the o-ring on the threaded nipple should remain on the inside surface of the cover.

STEP 6:

Tighten the nut onto the exposed end of the threaded nipple to secure the photocell to the cover.

STEP 7:

Wire the photocell by following the wiring instructions included with the photocell.

STEP 8:

Reattach the wiring compartment cover that was removed in Step 3. Tighten the screws to 30 in-lbs (3.5 N-m).

NOTE: Make sure no wires are pinched.

STEP 9:

Mount the luminaire in the desired location using (2) 3/8" (10 mm) bolts (customer supplied) appropriate for the mounting surface. See **Figure 3**.

STEP 10:

Make wiring connections to the cord leads per the **Electrical Connections** section.

STEP 11:

Remove #10-24 positioning screws on both sides of the trunnion.

STEP 12:

Loosen 5/16" (8 mm) hex head bolts located on both sides of the trunnion.

STEP 13:

Rotate trunnion to desired tilt angle. Line up inner and outer trunnion positioning holes.

STEP 14:

Insert one #10-24 screw, removed in Step 11, into matching holes of inner and outer trunnions. Tighten screw to 30 in-lbs (35 N-m). Repeat with screw on opposite side of trunnion.

STEP 15:

Tighten both 5/16" hex head bolts on opposite sides of the trunnion to 132 in-lbs (15 N-m).

TRUNNION WITH TWIST-LOCK PHOTOCELL RECEPTACLE- REQUIRES USE OF NTX-TR-3R OR NTX-TR-7R ACCESSORY AND TWIST-LOCK PHOTOCELL (ORDERED SEPARATELY)

NOTE: Area lights are only designed for mounting orientation from 0° (horizontal) to 45° tilt.

NOTE: Area lights are not to be used as uplights.

STEP 1:

Plug the female end of the quick connect, supplied with the trunnion, into the male connector on the luminaire. Make sure the two halves lock together. See **Figure 1**.

STEP 2:

Position luminaire to be assembled to trunnion optic side down with mounting holes facing towards you.

IMPORTANT: Trunnion with Twist Lock Photocell must be oriented with twist lock receptacle on the right side of the trunnion as

viewed from behind luminaire.

STEP 3:

Align the four holes in the inner trunnion with the four tapped holes in the luminaire housing. Attach the trunnion to the luminaire using the (4) 5/16" (8 mm) bolts and lockwashers supplied with the trunnion kit. Tighten bolts to 132 in-lbs (15 N-m). See **Figure 5**.

STEP 4:

Mount the luminaire in the desired location using (2) 3/8" (10 mm) bolts (customer supplied) appropriate for the mounting surface. See **Figure 3**.

STEP 5:

Make wiring connections to the cord leads per the **Electrical Connections** section.

STEP 6:

Remove #10-24 positioning screws on both sides of the trunnion.

STEP 7:

Loosen 5/16" (8 mm) hex head bolts located on both sides of the trunnion.

STEP 8:

Rotate trunnion to desired tilt angle. Line up inner and outer trunnion positioning holes.

STEP 9:

Insert #10-24 screw, removed in Step 6, into matching holes of inner and outer trunnion. Tighten screw to 30 in-lbs (35 N-m). Repeat with screw on opposite side of trunnion.

STEP 10:

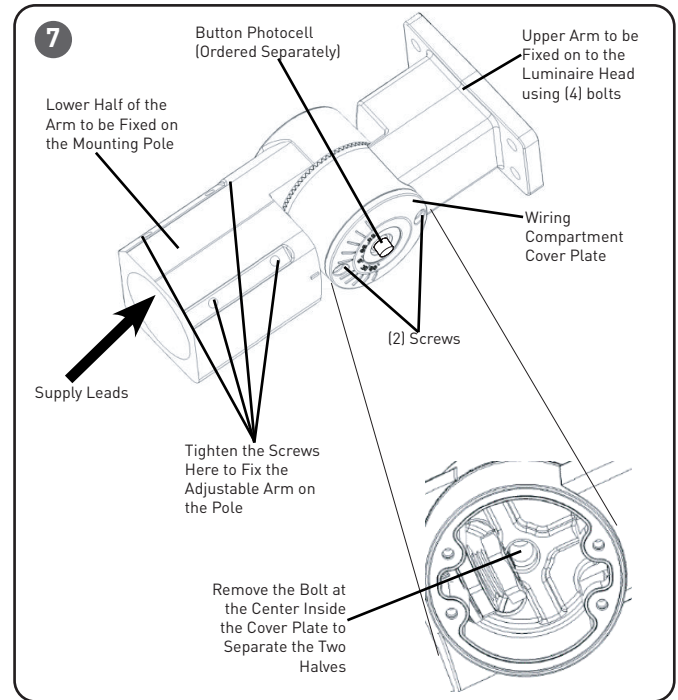
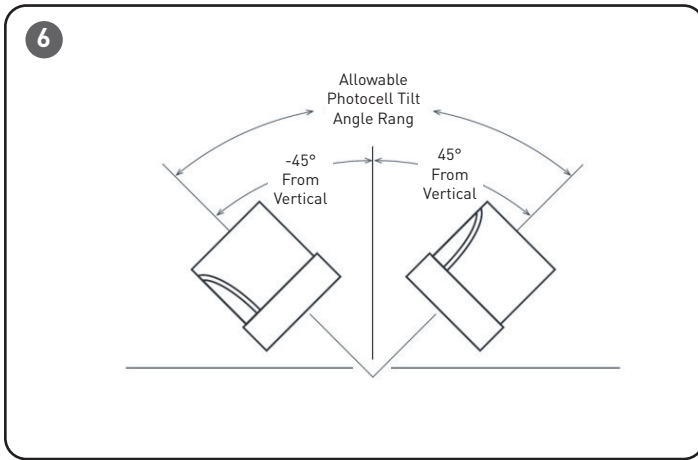
Tighten both 5/16" hex head bolts on opposite sides of the trunnion to 132 in-lbs (15 N-m).

STEP 11:

Twist lock receptacle must be positioned to orient photocell between +/- 45° from vertical. See **Figure 6**. If the receptacle needs to be repositioned to orient photocell in this tilt range, remove the screws holding the receptacle mounting bracket to the trunnion (See **Figure 5**), and reposition mounting bracket to properly orient receptacle. Retighten screws to 30 in-lbs (3.5 N-m) after repositioning bracket.

STEP 12:

Install twist lock photocell or shorting cap (ordered separately).



ADJUSTABLE ARM MOUNT- REQUIRES USE OF NTX-AA ACCESSORY

NOTE: Area lights are only designed for mounting orientation from 0° (horizontal) to 45° tilt.

NOTE: Area lights are not to be used as uplights.

STEP 1:

Plug the female end of the quick connect, supplied with the trunnion, into the male connector on the luminaire. Make sure the two halves lock together. See **Figure 1**.

STEP 2:

Align the four holes in the upper adjustable arm with the four tapped holes in the luminaire housing. Attach the adjustable arm to the luminaire using the (4) 5/16" (8 mm) bolts and lockwashers supplied with the adjustable arm kit. Tighten bolts to 132 in-lbs (15 N-m). See **Figure 7**.

STEP 3:

Remove wiring compartment cover on adjustable arm by loosening (2) screws. See **Figure 7**.

STEP 4:

Feed supply leads up through the tenon that the luminaire will be mounted on.

STEP 5:

Route supply leads through open end of the adjustable arm and into wiring compartment.

NOTE: It may be necessary to disassemble the upper and lower portions of the adjustable arm in order to run the leads into the wiring compartment. If disassembly is necessary, remove the 3/8" (10 mm) bolt and lockwasher inside the wiring compartment and route leads into wiring compartment. See **Figure 7**.

Reassemble upper and lower arm halves and replace 3/8" bolt and lockwasher. Do not tighten bolt at this time.

STEP 6:

Strain relief is required for electrical connections on slip fitter mounts at heights of 25' (7.6 m) and above. Tie a knot in the supply leads above the hole where the leads enter the wiring chamber to reduce the strain on the connections. Make sure knot will not slip through opening in wiring compartment.

STEP 7:

Slip lower adjustable arm over 2 -3/8" (60 mm) O.D. heavy wall pipe or tenon making sure not to pinch any leads. Aim the luminaire in the proper direction and hand tighten all four Allen head set screws against outer wall of tenon. Hand tighten (4) screws against tenon. Once all four screws are hand tightened, secure them by tightening to 140 in-lbs (16 N-m).

STEP 8:

If 3/8" bolt holding the two halves of the adjustable arm together was not loosened in Step 5, loosen the bolt (DO NOT remove it) at this time.

STEP 9:

Tilt the luminaire to the desired angle and tighten the 3/8" (10 mm) bolt to 19 ft-lbs (25 N-m) to lock the adjustable arm in place.

STEP 10:

Make the wiring connections inside the wiring compartment per the **Electrical Connections** section.

STEP 11:

Replace the wiring compartment cover that was removed in Step 3. Tighten screws to 30 in-lbs (3.5 N-m).

ADJUSTABLE ARM MOUNT WITH BUTTON PHOTOCELL- REQUIRES USE OF NTX-AA ACCESSORY AND BUTTON PHOTOCELL (ORDERED SEPARATELY)

NOTE: Area lights are only designed for mounting orientation from 0° (horizontal) to 45° tilt.

NOTE: Area lights are not to be used as uplights.

STEP 1:

Plug the female end of the quick connect, supplied with the trunnion, into the male connector on the luminaire. Make sure the two halves lock together. See **Figure 1**.

STEP 2:

Align the four holes in the upper adjustable arm with the four tapped holes in the luminaire housing. Attach the adjustable arm to the luminaire using the (4) 5/16" (8 mm) bolts and lockwashers supplied with the adjustable arm kit. Tighten bolts to 132 in-lbs (15 N-m). See **Figure 7**.

STEP 3:

Remove wiring compartment cover on adjustable arm by removing (2) screws. See **Figure 7**.

STEP 4:

Remove wiring compartment cover on adjustable arm by removing (2) screws. See **Figure 7**.

STEP 5:

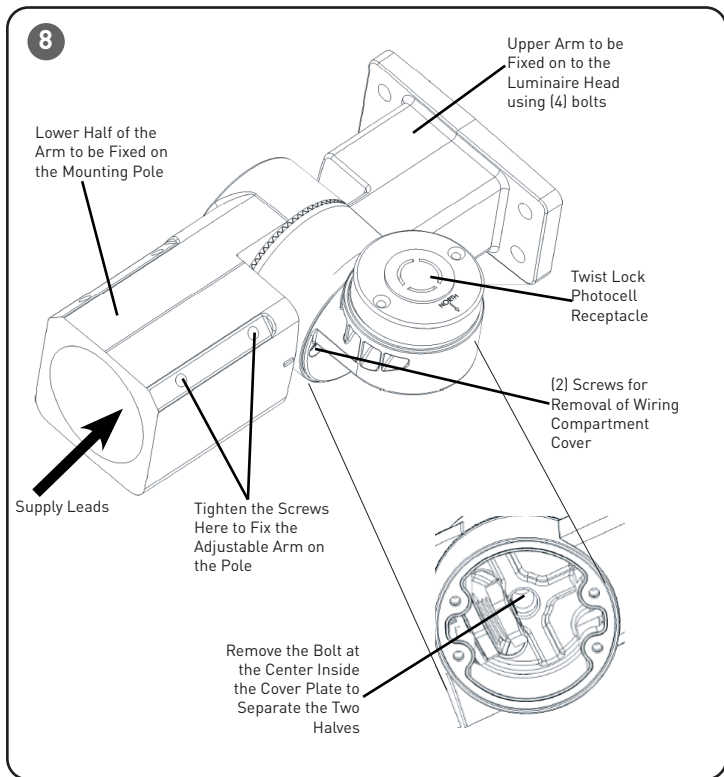
Feed supply leads up through the tenon that the luminaire will be mounted on.

STEP 6:

Route supply leads through open end of the adjustable arm and into wiring compartment.

NOTE: It may be necessary to disassemble the upper and lower portions of the adjustable arm in order to run the leads into the wiring compartment. If disassembly is necessary, remove the 3/8" (10 mm) bolt and lockwasher inside the wiring compartment and route leads into wiring compartment. See **Figure 7**.

Reassemble upper and lower arm halves and replace 3/8" bolt and lockwasher. Do not tighten bolt at this time.



STEP 6:

Strain relief is required for electrical connections on slip fitter mounts at heights of 25' (7.6 m) and above. Tie a knot in the supply leads above the hole where the leads enter the wiring chamber to reduce the strain on the connections. Make sure knot will not slip through opening in wiring compartment.

STEP 7:

Slip lower adjustable arm over 2 -3/8" (60 mm) O.D. heavy wall pipe or tenon making sure not to pinch any leads. Aim the luminaire in the proper direction and hand tighten all four Allen head set screws against outer wall of tenon. Once all four screws are hand tightened, secure them by tightening them to 140 in-lbs (16 N-m).

STEP 8:

If 3/8" bolt holding the two halves of the adjustable arm together was not loosened in Step 5, loosen the bolt (DO NOT remove it) at this time.

STEP 9:

Tilt the luminaire to the desired angle and tighten the 3/8" (10 mm) bolt to 19 ft-lbs (25 N-m) to lock the adjustable arm in place.

STEP 10:

Remove the center knockout from the wiring compartment cover by striking knockout with a punch and hammer.

STEP 11:

Remove the nut from the threaded nipple of the photocell and insert the threaded nipple of the photocell through the hole in the cover. The body of the photocell and the o-ring on the threaded nipple should remain on the inside surface of the cover.

STEP 12:

Tighten the nut onto the exposed end of the threaded nipple to secure the photocell to the cover.

STEP 13:

Wire the photocell by following the wiring instructions included with the photocell.

STEP 14:

Connect supply ground lead to luminaire ground lead.

STEP 15:

Replace the wiring compartment cover that was removed in Step 3. Tighten screws to 30 in-lbs (3.5 N-m).

ADJUSTABLE ARM MOUNT WITH TWIST-LOCK PHOTOCELL RECEPTACLE- REQUIRES USE OF NTX-AA-3R OR NTX-AA-7R ACCESSORY AND TWIST-LOCK PHOTOCELL (ORDERED SEPARATELY)

NOTE: Area lights are only designed for mounting orientation from 0° (horizontal) to 45° tilt.

NOTE: Area lights are not to be used as uplights.

STEP 1:

Plug the female end of the quick connect, supplied with the trunnion, into the male connector on the luminaire. Make sure the two halves lock together. See **Figure 1**.

STEP 2:

Position luminaire to be assembled to adjustable arm face down with mounting holes facing towards you.

IMPORTANT: Adjustable arm with Twist Lock Photocell must be mounted with twist lock receptacle on the right side of the adjustable arm as viewed from behind luminaire.

STEP 3:

Align the four holes in the upper adjustable arm with the four tapped holes in the luminaire housing. Attach the adjustable arm to the luminaire using the (4) 5/16" (8 mm) bolts and lockwashers supplied with the adjustable arm kit. Tighten bolts to 132 in-lbs (15 N-m). See **Figure 8**.

STEP 4:

Remove wiring compartment cover on adjustable arm by removing (2) screws. See **Figure 8**.

STEP 5:

Feed supply leads up through the tenon that the luminaire will be mounted on.

STEP 6:

Route supply leads through open end of the adjustable arm and into wiring compartment.

NOTE: It may be necessary to disassemble the upper and lower portions of the adjustable arm in order to run the leads into the wiring compartment. If disassembly is necessary, remove the 3/8" (10 mm) bolt and lockwasher inside the wiring compartment and route leads into wiring compartment. See **Figure 8**.

Reassemble upper and lower arm halves and replace 3/8" bolt and lockwasher. Do not tighten bolt at this time.

STEP 7:

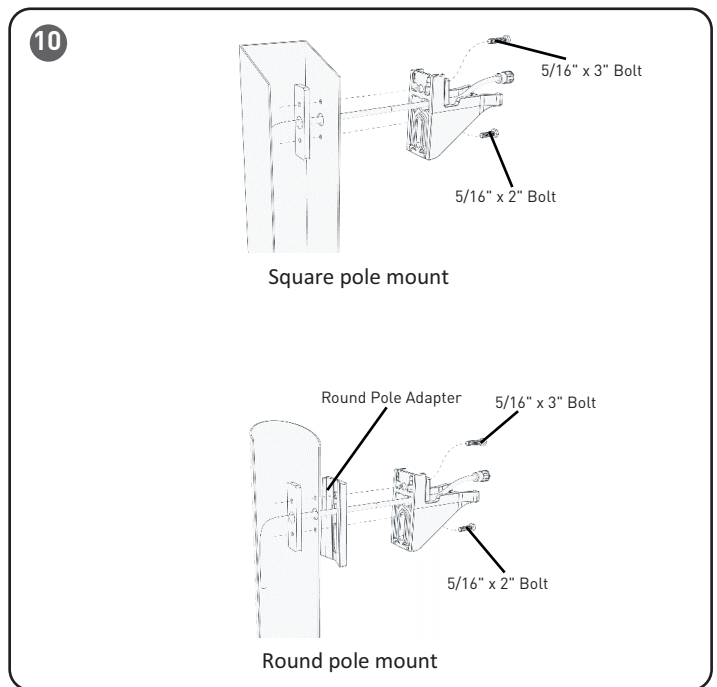
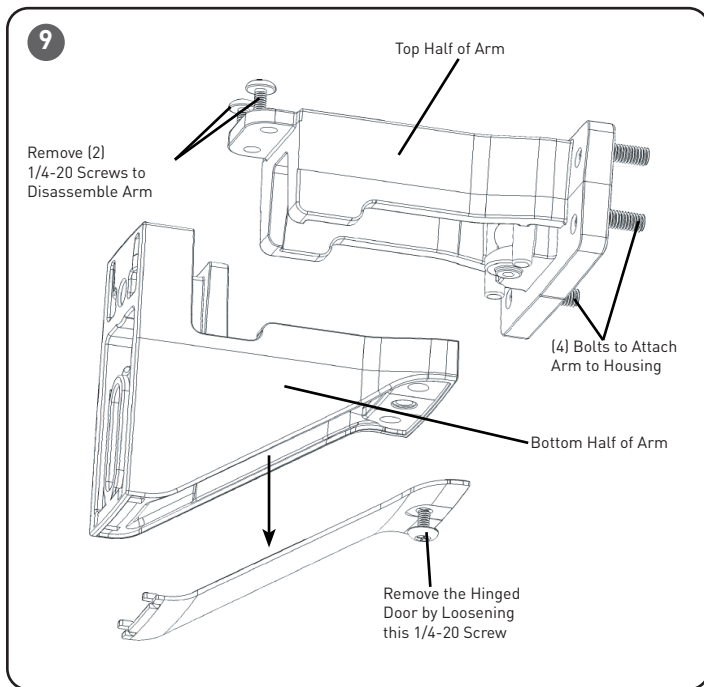
Strain relief is required for electrical connections on slip fitter mounts at heights of 25' (7.6 m) and above. Tie a knot in the supply leads above the hole where the leads enter the wiring chamber to reduce the strain on the connections. Make sure knot will not slip through opening in wiring compartment.

STEP 8:

Slip lower adjustable arm over 2 -3/8" (60 mm) O.D. heavy wall pipe or tenon making sure not to pinch any leads. Aim the luminaire in the proper direction and hand tighten all four Allen head set screws against outer wall of tenon. Once all four screws are hand tightened, secure them by tightening them to 140 in-lbs (16 N-m).

STEP 9:

If 3/8" bolt holding the two halves of the adjustable arm together was not loosened in Step 6, loosen the bolt (DO NOT remove it) at



this time.

STEP 10:

Tilt the luminaire to the desired angle and tighten the 3/8" (10 mm) bolt to 19 ft-lbs (25 N·m) to lock the adjustable arm in place.

STEP 11:

Make the wiring connections inside the wiring compartment per the **Electrical Connections** section.

STEP 12:

Replace the wiring compartment cover that was removed in Step 4. Tighten screws to 30 in-lbs (3.5 N·m).

NOTE: Twist lock receptacle must be positioned to orient photocell between +/- 45° from vertical. See **Figure 6**. Make sure photocell will be properly oriented when replacing cover.

STEP 13:

Install twist lock photocell or shorting cap (ordered separately).

DIRECT ARM MOUNT- REQUIRES USE OF NTA-DA ACCESSORY

NOTE: Area lights are not to be used as uplights.

STEP 1:

Remove the (2) 1/4-20 screws from the top of the direct arm and the 1/4-20 screw on the bottom of the direct arm. See **Figure 9**.

STEP 2:

Remove hinged door from bottom of direct arm.

STEP 3:

Separate top and bottom halves of the direct arm.

STEP 4:

Plug the female end of the quick connect, supplied with the direct arm, into the male connector on the luminaire. Make sure the two halves lock together. See **Figure 1**.

STEP 5:

Pass the free end of the power cord through the large hole in the top half of the direct arm.

STEP 6:

Align the four holes in the top half of the arm with the four tapped holes in the luminaire housing. Attach the top half of the arm to the luminaire using the (4) 5/16" (8 mm) x 1" (25 mm) bolts and lock washers supplied with the arm kit. Tighten bolts to 132 in-lbs (15 N·m). See **Figure 9**.

STEP 7:

Use template in **Figure 11 on page 6** for pole drilling if pole is not pre-drilled.

NOTE: Template is not to scale.

STEP 8:

Mount bottom half of direct arm to pole by threading 5/16" (8 mm) x 3" (76 mm) bolt with lock washer through top hole in arm, through top hole in pole, and into top threaded hole of backing plate inside pole.

Thread 5/16" (8 mm) x 2" (51 mm) bolt with lock washers through lower slot in arm, lower hole in pole, and into bottom threaded hole of backing plate. See **Figure 10**. Tighten both bolts to 132 in-lbs (15 N·m).

NOTE: A round pole adapter is included with the direct arm accessory kit. The adapter will work with round poles from 4" (102 mm) to 5" (127 mm) in diameter. To utilize adapter, sandwich adapter between bottom half of arm and pole (radius side of adapter towards pole) when attaching arm to pole. See **Figure 10**.

STEP 9:

Pass the free end of the cord from the top half of the arm through the center hole in the bottom half of the arm and into the pole. See **Figure 10**.

NOTE: When routing cord to the hole in the bottom half of the arm, make sure cord passes above the horizontal crossbar on bottom half of arm.

STEP 10:

Place the top half of the arm that is attached to the luminaire head onto the bottom half of the arm.

STEP 11:

Replace the (2) 1/4-20 screws that were removed from the top half of the arm. Tighten the screws to 72 in-lbs (8 N·m).

STEP 12:

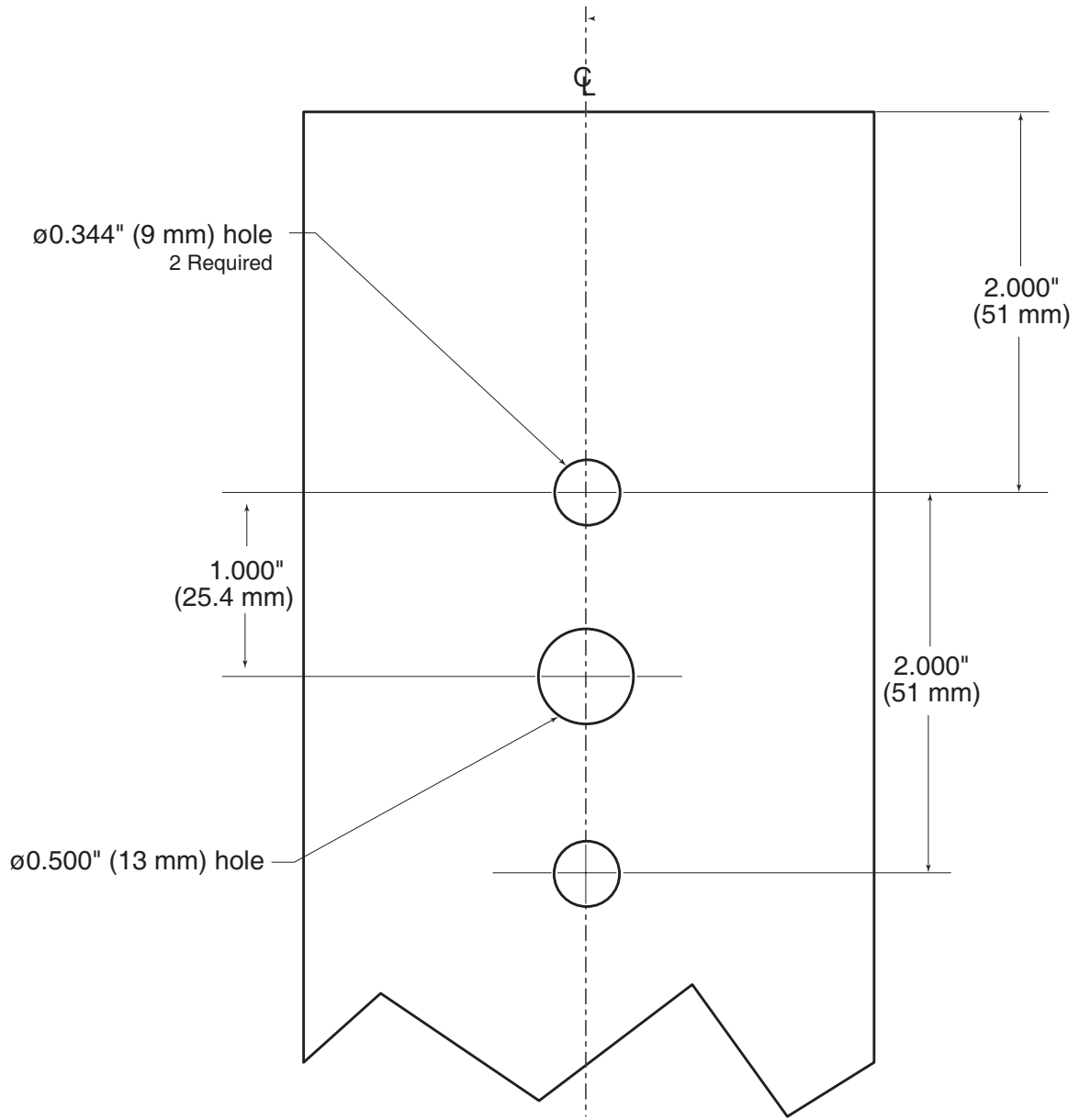
Replace the arm cover and retention screw. Tighten the screw to 72 in-lbs (8 N·m).

STEP 13:

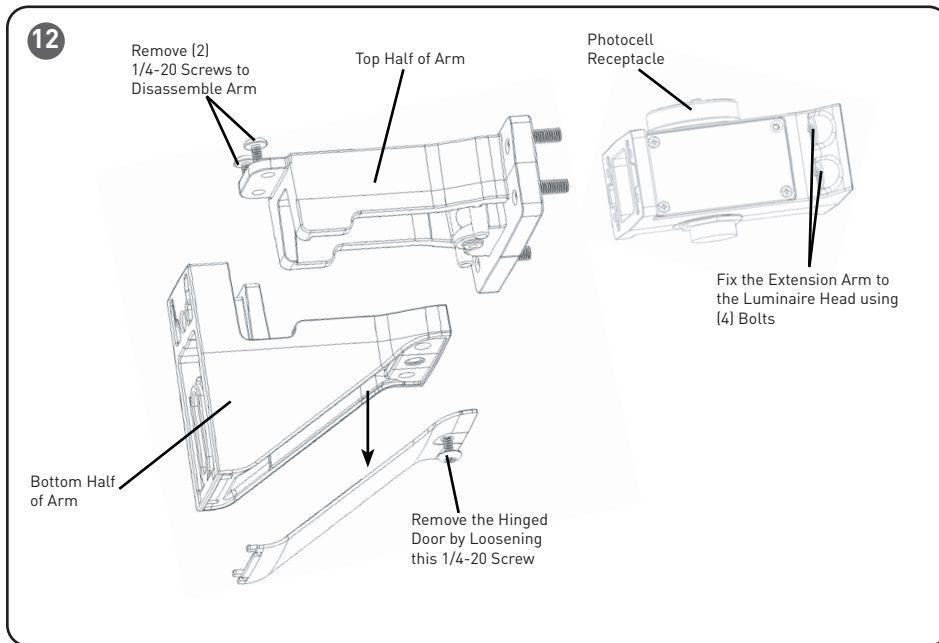
Make wiring connections to the cord leads inside the pole per the **Electrical Connections** section.

STEP 14:

Replace the pole cap.



NOT TO SCALE



DIRECT ARM MOUNT WITH EXTENSION ARM AND TWIST-LOCK PHOTOCELL- REQUIRES USE OF NTA-DA,NTX-3R OR NTX-7R ACCESSORIES AND TWIST-LOCK PHOTOCELL

NOTE: Area lights are not to be used as uplights.

STEP 1:

Plug the female end of the quick connect, supplied with the extension arm, into the male connector on the luminaire. Make sure the two halves lock together. See **Figure 1**.

STEP 2:

Align the four non-threaded holes in the extension arm with the four tapped holes in the luminaire housing. Attach the extension arm to the luminaire using the (4) 5/16 (8 mm) bolts and lock washers supplied with the extension arm kit. Tighten bolts to 132 in-lbs (15 N-m). See **Figure 12**.

NOTE: Twist- lock receptacle must be facing up (away from illuminated face of luminaire) to prevent leakage and unwanted cycling.

STEP 3:

Remove the (2) 1/4-20 screws from the top of the direct arm and the 1/4-20 screw on the bottom of the direct arm. See **Figure 9**.

STEP 4:

Remove hinged door from bottom of direct arm.

STEP 5:

Separate top and bottom halves of the direct arm.

STEP 6:

Plug the female end of the quick connect, supplied with the direct arm, into the male connector on the extension arm. Make sure the two halves lock together. See **Figure 1**.

STEP 7:

Pass the free end of the power cord through the large hole in the top half of the direct arm.

STEP 8:

Align the four holes in the top half of the arm with the four tapped holes in the extension arm. Attach the top half of the arm to the extension arm using the (4) 5/16" (8 mm) x 1" (25 mm) bolts and lock washers supplied with the direct arm kit. Tighten bolts to 132 in-lbs (15 N-m). See **Figure 12**.

STEP 9:

Use template in **Figure 11 on page 6** for pole drilling if pole is not pre-drilled.

NOTE: Template is not to scale.

STEP 10:

Mount bottom half of direct arm to pole by threading 5/16" (8 mm) x 3" (76 mm) bolt with lock washer through top hole in arm, through top hole in pole, and into top threaded hole of backing plate inside pole. Thread 5/16" (8 mm) x 2" (51 mm) bolt with lock washers through lower slot in arm, lower hole in pole, and into bottom threaded hole of backing plate. See **Figure 10**. Tighten both bolts to 132 in-lbs (15 N-m).

NOTE: A round pole adapter is included with the direct arm accessory kit. The adapter will work with round poles from 4" (102 mm) to 5" (127 mm) in diameter. To utilize adapter, sandwich adapter between bottom half of arm and pole (radius side of adapter towards pole) when attaching arm to pole. See **Figure 10**.

STEP 11:

Pass the free end of the cord from the top half of the arm through the center hole in the bottom half of the arm and into the pole. See **Figure 10**.

NOTE: When routing cord to the hole in the bottom half of the arm, make sure cord passes above the horizontal crossbar on bottom half of arm.

STEP 12:

Place the top half of the direct arm that is attached to the extension arm and luminaire head onto the bottom half of the direct arm.

STEP 13:

Replace the (2) 1/4-20 screws that were removed from the top half of the arm. Tighten the screws to 72 in-lbs (8 N-m).

STEP 14:

Replace the arm cover and retention screw. Tighten the screw to 72 in-lbs (8 N-m).

STEP 15:

Make wiring connections to the cord leads inside the pole per the **Electrical Connections** section.

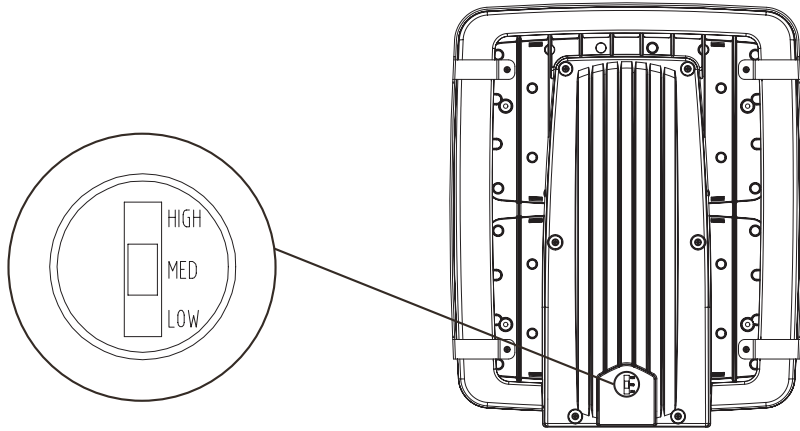
STEP 16:

Install twist-lock photocell.

STEP 17:

Replace the pole cap.

13



WATTAGE ADJUSTMENT

This product can be adjusted for wattage from 50W to 60W to 75W by adjusting the three position switch located on the back housing. See **Figure 13**.

FCC

CAUTION: Changes or modifications not expressly approved could void your authority to use this equipment.

This device complies with part 15 of the FCC Rules. Operation is subject to the following two conditions: (1) This device may not cause harmful interference, and (2) this device must accept any interference received, including interference that may cause undesired operation.

This equipment has been tested and found to comply with the limits for a Class A digital device, pursuant to part 15 of the FCC Rules. These limits are designed to provide reasonable protection against harmful interference when the equipment is operated in a commercial environment. This equipment generates, uses, and can radiate radio frequency energy and, if not installed and used in accordance with the instruction manual, may cause harmful interference to radio communications. Operation of this equipment in a residential area is likely to cause harmful interference in which case the user will be required to correct the interference at his own expense.

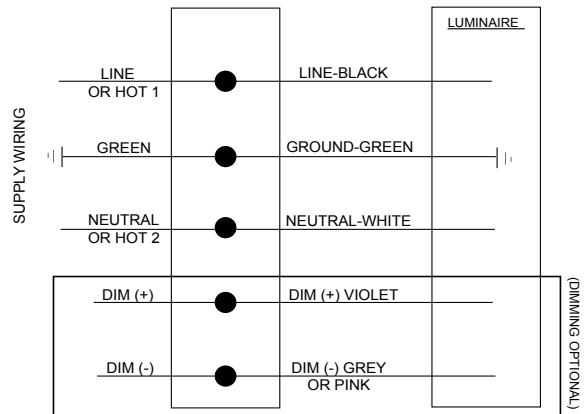
CAN ICES-005 (A)/NMB-005 (A)

ELECTRICAL CONNECTIONS

STEP 1:

Make the following Electrical Connections to supply cord:

- a. For 120/277/347V connect the black fixture lead to the voltage supply or Hot 1 (for 208/240/480V wiring).
- b. For 120/277/347V connect the white fixture lead to the neutral supply or Hot 2 (for 208/240/480V wiring).
- c. Connect the luminaire ground (green or green/yellow) lead to the supply ground lead.
- d. If Dimming is an option; connect the violet dimming positive lead to the supply dimming positive lead. Cap off violet lead if dimming is not used.
- e. If Dimming is an option; connect the grey or pink dimming negative lead to the supply dimming negative lead. Cap off grey or pink lead if dimming is not used.
- f. **NOTE:** For dimming connections, use Class 1 wiring methods only.



MESURES DE SÉCURITÉ IMPORTANTES

INSTRUCTIONS D'INSTALLATION INSTALLATION INSTRUCTIONS

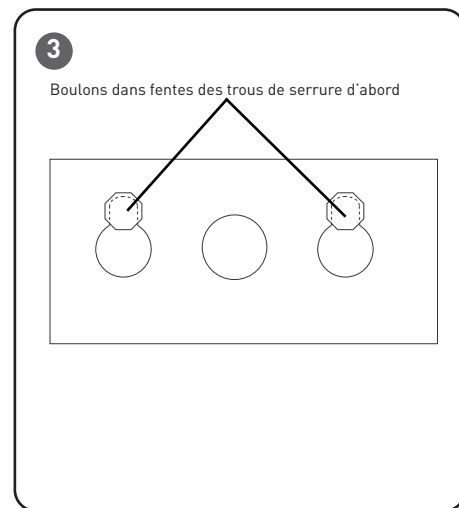
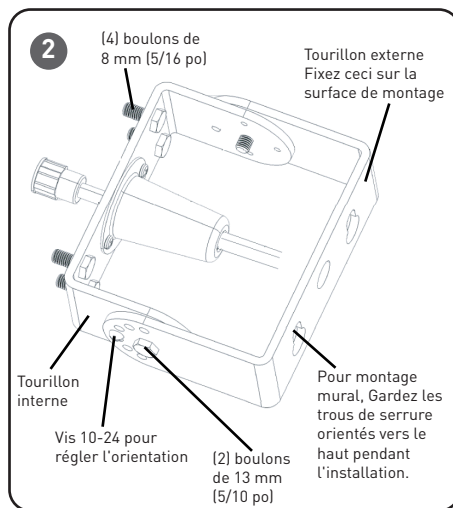
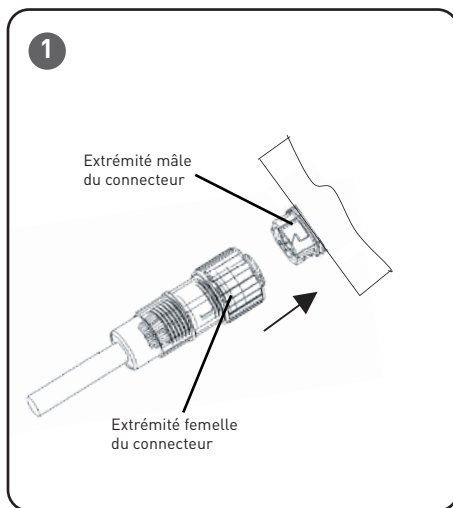
Lorsque vous utilisez un équipement électrique, vous devez toujours respecter les règles de sécurité élémentaires, notamment les suivantes :

LISEZ ET SUIVEZ TOUTES LES CONSIGNES DE SÉCURITÉ

- DANGER** – Risque de choc – Couper l'alimentation avant l'installation.
DANGER – Risk of shock- Disconnect power before installation.
- Ce produit doit être installé conformément à NEC ou votre code électrique local. Si vous n'êtes pas familier avec ces codes et ces exigences, veuillez contacter un électricien qualifié.
This luminaire must be installed in accordance with the NEC or your local electrical code. If you are not familiar with these codes and requirements, consult a qualified electrician.
- Convient aux emplacements mouillés.
Suitable for wet locations.
- Peut être utilisé à une température ambiante n'excédant pas 40 °C.
Suitable for operation in ambient not exceeding 40°C.
- Peut être installé à moins de 1,2 m (4 pi) du sol.
Suitable for mounting within 1.2M (4ft) of the ground.
- Les fils d'alimentation 75 °C min.
Min. 75°C supply conductors.
- Câblage de classe 1 uniquement.
Class 1 wiring only.

VEUILLEZ GARDER CES INSTRUCTIONS POUR RÉFÉRENCE ULTÉRIEURE

POUR INSTALLER :



MONTAGE DU TOURILLON – NÉCESSITE L'ACCESSOIRE NTX-TR

REMARQUE : Les projecteurs d'illumination sont uniquement conçus pour un angle de montage de 0° (horizontal) à une inclinaison de 45°.

REMARQUE : Les projecteurs d'illumination ne doivent pas être utilisés comme luminaire à éclairage dirigé vers le haut.

ÉTAPE 1 :

Branchez l'extrémité femelle du raccord rapide, fourni avec le tourillon, dans le connecteur mâle du luminaire. Assurez-vous que les deux moitiés se verrouillent ensemble. Voir **Figure 1**.

ÉTAPE 2 :

Alignez les quatre trous du tourillon interne avec les quatre trous taraudés du boîtier du luminaire. Fixez le tourillon au luminaire à l'aide des quatre (4) boulons de 8 mm (5/16 po) et des rondelles de blocage fournis avec

l'ensemble du tourillon. Serrez les boulons à 15 Nm (132 po-lb). Voir **Figure 2**.

ÉTAPE 3 :

Montez le luminaire à l'endroit désiré à l'aide de (2) boulons de 10 mm (3/8 po) (fournis par le client) adaptés à la surface de montage. Voir **Figure 3**.

ÉTAPE 4 :

Effectuez les branchements de câblage aux fils du cordon conformément à la section **Branchements électriques**.

ÉTAPE 5 :

Retirez les vis de réglage n° 10-24 des deux côtés du tourillon.

ÉTAPE 6 :

Desserrez les boulons à tête hexagonale de 8 mm (5/16 po) situés des deux côtés du tourillon.

ÉTAPE 7 :

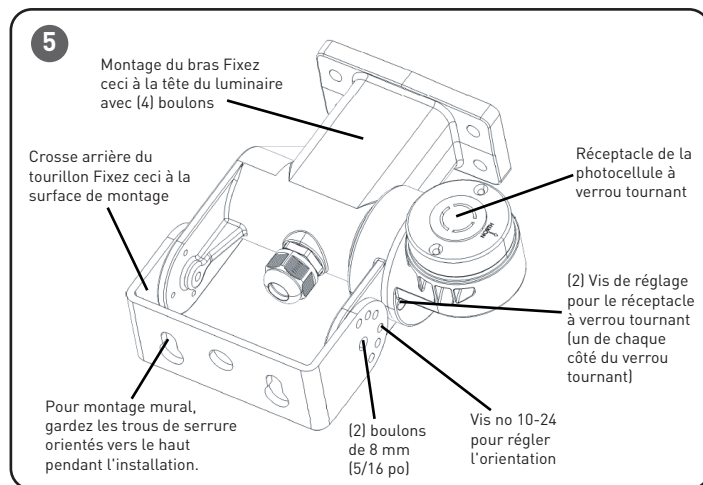
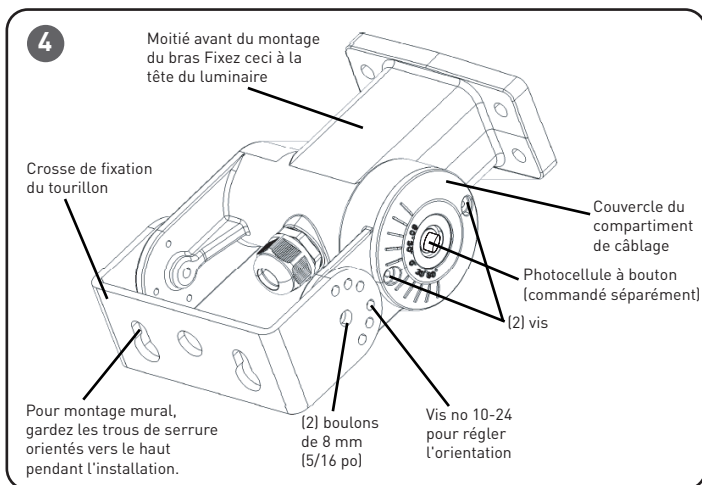
Pivotez le tourillon à l'angle d'inclinaison désiré. Alignez les trous de réglage du tourillon interne et externe.

ÉTAPE 8 :

Insérez une vis n° 10-24, retirée à l'étape 5, dans les trous correspondants du tourillon interne et externe. Serrez la vis à 35 Nm (30 po-lb). Répétez l'opération avec la vis sur le côté opposé de l'articulation.

ÉTAPE 9 :

Serrez les 2 boulons à tête hexagonale de 8 mm (5/16 po) des deux côtés opposés du tourillon à 15 Nm (132 po-lb).



TOURILLON AVEC PHOTOCELLULE À BOUTON - NÉCESSITE L'ACCESSOIRE NTX-TR-PK (COMMANDÉ SÉPARÉMENT)

REMARQUE : Les projecteurs d'illumination sont uniquement conçus pour un angle de montage de 0° (horizontal) à une inclinaison de 45°.

REMARQUE : Les projecteurs d'illumination ne doivent pas être utilisés comme luminaire à éclairage dirigé vers le haut.

ÉTAPE 1 :

Branchez l'extrémité femelle du raccord rapide, fourni avec le tourillon, dans le connecteur mâle du luminaire. Assurez-vous que les deux moitiés se verrouillent ensemble. Voir **Figure 1**.

ÉTAPE 2 :

Alignez les quatre trous du tourillon avec les quatre trous taraudés du boîtier du luminaire. Fixez le tourillon au luminaire à l'aide des quatre (4) boulons de 8 mm (5/16 po) et des rondelles de blocage fournis avec l'ensemble du tourillon. Serrez les boulons à 15 Nm (132 po-lb). Voir **Figure 4**.

ÉTAPE 3 :

Retirez le couvercle du compartiment des fils sur le tourillon en desserrant les (2) vis. Voir **Figure 4**.

ÉTAPE 4 :

Retirez la débouchure centrale du couvercle en la frappant à l'aide d'un marteau et d'un poinçon.

ÉTAPE 5 :

Retirez l'écrou du raccord fileté de la cellule photoélectrique et insérez le raccord fileté de la photocellule à travers le trou du couvercle. Le corps de la photocellule et le joint torique du raccord fileté doivent restés sur la paroi interne du couvercle.

ÉTAPE 6 :

Serrez l'écrou sur l'extrémité exposée du raccord fileté pour fixer la photocellule au couvercle.

ÉTAPE 7 :

Branchez la photocellule en suivant les instructions de branchement fournies avec la photocellule.

ÉTAPE 8 :

Remplacez le couvercle du compartiment des fils retiré à l'étape 3. Serrez les vis à 3,5 Nm (30 po-lb).

REMARQUE : Assurez-vous que les fils ne sont pas pincés.

ÉTAPE 9 :

Montez le luminaire à l'endroit désiré à l'aide de (2) boulons de 10 mm (3/8 po) (fournis par

le client) adaptés à la surface de montage. Voir **Figure 3**.

ÉTAPE 10 :

Effectuez les branchements de câblage aux fils du cordon conformément à la section **Branchements électriques**.

ÉTAPE 11 :

Retirez les vis de réglage n° 10-24 des deux côtés du tourillon.

ÉTAPE 12 :

Desserrez les boulons à tête hexagonale de 8 mm (5/16 po) situés des deux côtés du tourillon.

Étape 13.

Pivotez le tourillon à l'angle d'inclinaison désiré. Alignez les trous de réglage du tourillon interne et externe.

ÉTAPE 14 :

Insérez une vis n° 10-24, retirée à l'étape 11, dans les trous correspondants du tourillon interne et externe. Serrez la vis à 35 Nm (30 po-lb). Répétez l'opération avec la vis sur le côté opposé de l'articulation.

ÉTAPE 15 :

Serrez les 2 boulons à tête hexagonale de 8 mm (5/16 po) des deux côtés opposés du tourillon à 15 Nm (132 po-lb).

TOURILLON AVEC PHOTOCELLULE À VERRU TOURNANT - NÉCESSITE L'ACCESSOIRE NTX-3R OU NTX-7R ET UNE PHOTOCELLULE À VERRU TOURNANT (COMMANDÉ SÉPARÉMENT)

REMARQUE : Les projecteurs d'illumination sont uniquement conçus pour un angle de montage de 0° (horizontal) à une inclinaison de 45°.

REMARQUE : Les projecteurs d'illumination ne doivent pas être utilisés comme luminaire à éclairage dirigé vers le haut.

ÉTAPE 1 :

Branchez l'extrémité femelle du raccord rapide, fourni avec le tourillon, dans le connecteur mâle du luminaire. Assurez-vous que les deux moitiés se verrouillent ensemble. Voir **Figure 1**.

ÉTAPE 2 :

Positionnez le luminaire à assembler au tourillon avec le côté optique vers le bas et les trous de montage orientés vers vous.

IMPORTANT : Le tourillon avec la photocellule à verrou tournant doit être orienté avec le réceptacle du verrou tournant sur le côté droit du tourillon, vu de derrière le luminaire.

ÉTAPE 3 :

Alignez les quatre trous du tourillon interne avec les quatre trous taraudés du boîtier du luminaire. Fixez le tourillon au luminaire à l'aide des quatre (4) boulons de 8 mm (5/16 po) et des rondelles de blocage fournis avec l'ensemble du tourillon. Serrez les boulons à 15 Nm (132 po-lb). Voir **Figure 5**.

ÉTAPE 4 :

Montez le luminaire à l'endroit désiré à l'aide de (2) boulons de 10 mm (3/8 po) (fournis par le client) adaptés à la surface de montage. Voir **Figure 3**.

ÉTAPE 5 :

Effectuez les branchements de câblage aux fils du cordon conformément à la section **Branchements électriques**.

ÉTAPE 6 :

Retirez les vis de réglage n° 10-24 des deux côtés du tourillon.

ÉTAPE 7 :

Desserrez les boulons à tête hexagonale de 8 mm (5/16 po) situés des deux côtés du tourillon.

ÉTAPE 8 :

Pivotez le tourillon à l'angle d'inclinaison désiré. Alignez les trous de réglage du tourillon interne et externe.

ÉTAPE 9 :

Insérez une vis n° 10-24, retirée à l'étape 6, dans les trous correspondants du tourillon interne et externe. Serrez la vis à 35 Nm (30 po-lb). Répétez l'opération avec la vis sur le côté opposé de l'articulation.

ÉTAPE 10 :

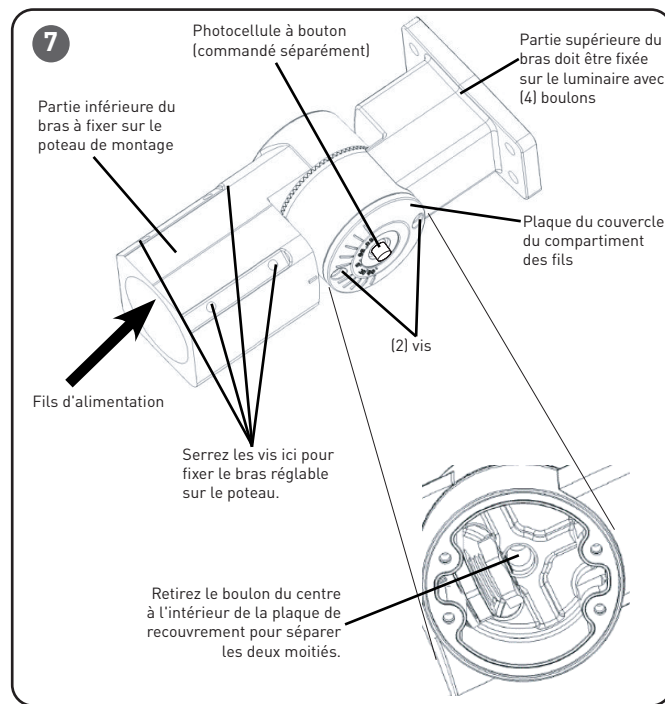
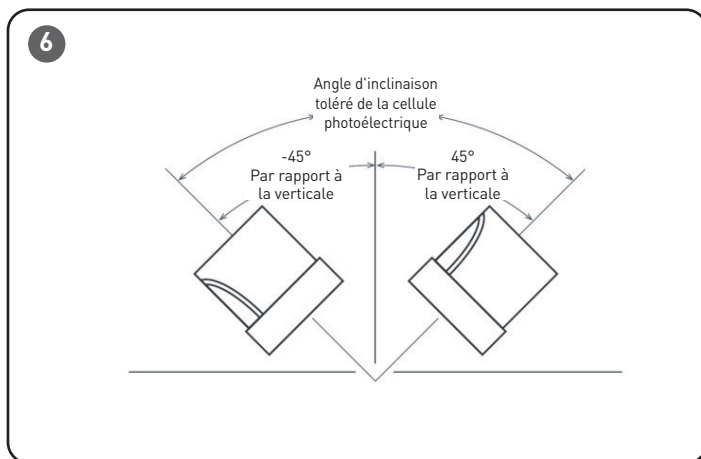
Serrez les 2 boulons à tête hexagonale de 8 mm (5/16 po) des deux côtés opposés du tourillon à 15 Nm (132 po-lb).

ÉTAPE 11 :

Le réceptacle du verrou tournant doit être positionné pour que la photocellule soit inclinée entre +/- 45° de la verticale. Voir **Figure 6**. Si le réceptacle doit être repositionné pour orienter la photocellule dans cette plage d'inclinaison, retirez les vis maintenant le support de montage du réceptacle sur le tourillon (voir **Figure 5**), puis repositionnez le support de montage pour orienter correctement le réceptacle. Resserrez les vis à 3,5 Nm (30 po-lb) après avoir remis en place la crosse.

ÉTAPE 12 :

Installez la photocellule à verrou tournant.



MONTAGE DU BRAS RÉGLABLE – NÉCESSITE L'ACCESSOIRE NTX-AA

REMARQUE : Les projecteurs d'illumination sont uniquement conçus pour un angle de montage de 0° (horizontal) à une inclinaison de 45°.

REMARQUE : Les projecteurs d'illumination ne doivent pas être utilisés comme luminaire à éclairage dirigé vers le haut.

ÉTAPE 1 :

Branchez l'extrémité femelle du raccord rapide, fourni avec le tourillon, dans le connecteur mâle du luminaire. Assurez-vous que les deux moitiés se verrouillent ensemble. Voir **Figure 1**.

ÉTAPE 2 :

Alignez les quatre trous situés sur la partie supérieure du bras réglable avec les quatre trous taraudés du boîtier du luminaire. Fixez le bras réglable au luminaire à l'aide des quatre (4) boulons de 8 mm (5/16 po) et des rondelles de blocage fournis avec l'ensemble du bras réglable. Serrez les boulons à 15 Nm (132 po-lb). Voyez la **Figure 7**.

ÉTAPE 3 :

Retirez le couvercle du compartiment des fils sur le bras réglable en desserrant les (2) vis. Voyez la **Figure 7**.

ÉTAPE 4 :

Faites passer les fils d'alimentation vers le haut par le tenon sur lequel le luminaire sera monté.

ÉTAPE 5 :

Acheminez les câbles d'alimentation par l'extrémité ouverte du bras réglable et dans le compartiment des fils.

REMARQUE : Il peut être nécessaire de démonter les parties supérieure et inférieure du bras réglable afin de faire passer les fils dans le compartiment des fils. Si un démontage est nécessaire, retirez le boulon de 10 mm (3/8 po) et la rondelle de blocage à l'intérieur du compartiment des fils et acheminez les fils dans le compartiment des fils. Voir **Figure 7**. Réassemblez les moitiés supérieure et inférieure du bras et remplacez le boulon de 10 mm (3/8 po) et la rondelle de blocage. Ne serrez pas le boulon à cette étape.

ÉTAPE 6 :

Une réduction de tension est nécessaire pour les connexions électriques sur les montages sur glissière à des hauteurs de 7,6 m (25 pi) et plus. Faites un nœud aux fils d'alimentation au-dessus de l'orifice où les fils pénètrent dans la chambre de câblage pour réduire la tension sur les connexions. Assurez-vous que le nœud ne glisse pas à travers l'ouverture du compartiment des fils.

ÉTAPE 7 :

Glissez le bras inférieur réglable par-dessus le tuyau ou tenon d'un mur robuste de 60 mm (2 -3/8 po) de diamètre extérieur, en veillant à ne pas pincer les fils. Orientez le luminaire dans la bonne direction et serrez les quatre vis à tête hexagonale contre la paroi extérieure du tenon. Serrez à la main les (4) vis contre le tenon. Une fois les quatre vis serrées à la main, serrez les à 16 Nm (140 po-lb).

ÉTAPE 8 :

Si le boulon de 10 mm (3/8 po) maintenant les deux moitiés du bras ajustable ensemble n'a pas été desserré à l'étape 5, desserrez-le (NE PAS le retirer) à cette étape.

ÉTAPE 9 :

Inclinez le luminaire à l'angle désiré et serrez le boulon de 10 mm (3/8 po) à 25 Nm (19 pi-lb) pour bloquer le bras réglable en place.

ÉTAPE 10 :

Effectuez les branchements de fils à l'intérieur du compartiment des fils conformément à la section **Branchements électriques**.

ÉTAPE 11 :

Remplacez le couvercle du compartiment des fils retiré à l'étape 3. Serrez les vis à 3,5 Nm (30 po-lb).

MONTAGE DU BRAS RÉGLABLE AVEC PHOTOCELLULE À BOUTON – NÉCESSITE L'ACCESSOIRE NTX-AA ET UNE PHOTOCELLULE À BOUTON (COMMANDÉ SÉPARÉMENT)

REMARQUE : Les projecteurs d'illumination sont uniquement conçus pour un angle de montage de 0° (horizontal) à une inclinaison de 45°.

REMARQUE : Les projecteurs d'illumination ne doivent pas être utilisés comme luminaire à éclairage dirigé vers le haut.

ÉTAPE 1 :

Branchez l'extrémité femelle du raccord rapide, fourni avec le tourillon, dans le connecteur mâle du luminaire. Assurez-vous que les deux moitiés se verrouillent ensemble. Voir **Figure 1**.

ÉTAPE 2 :

Alignez les quatre trous situés sur la partie supérieure du bras réglable avec les quatre trous taraudés du boîtier du luminaire. Fixez le bras réglable au luminaire à l'aide des quatre (4) boulons de 8 mm (5/16 po) et des rondelles de blocage fournis avec l'ensemble du bras réglable. Serrez les boulons à 15 Nm (132 po-lb). Voyez la **Figure 7**.

ÉTAPE 3 :

Retirez le couvercle du compartiment des fils sur le bras réglable en retirant les (2) vis. Voyez la **Figure 7**.

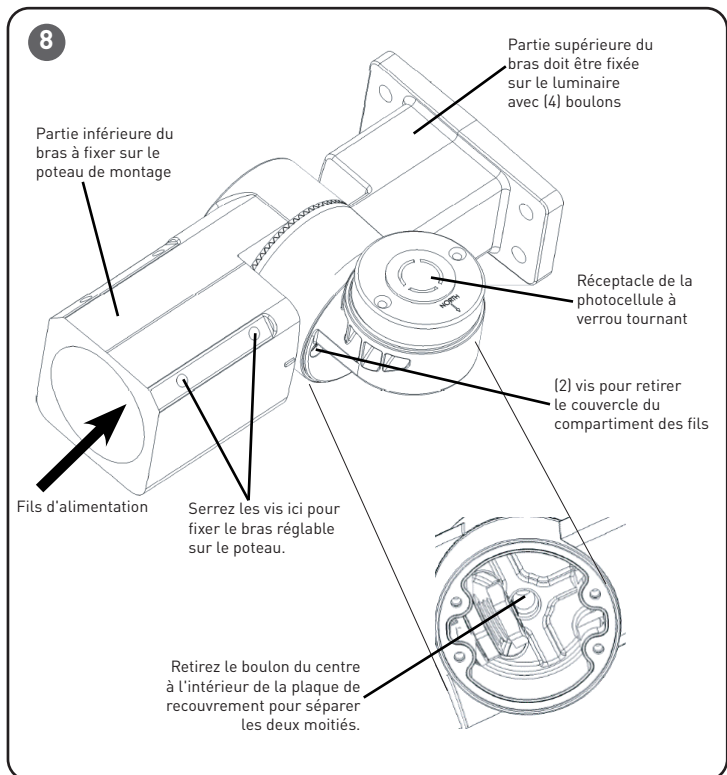
ÉTAPE 4 :

Faites passer les fils d'alimentation vers le haut par le tenon sur lequel le luminaire sera monté.

ÉTAPE 5 :

Acheminez les câbles d'alimentation par l'extrémité ouverte du bras réglable et dans le compartiment des fils.

REMARQUE : Il peut être nécessaire de démonter les parties supérieure et inférieure du bras réglable afin de faire passer les fils dans le compartiment des fils. Si un démontage est nécessaire, retirez le boulon de 10 mm (3/8 po) et la rondelle de blocage à l'intérieur du compartiment des fils et acheminez les fils dans le compartiment des fils. Voir **Figure 7**. Réassemblez les moitiés supérieure et inférieure du bras et remplacez le boulon de 10 mm (3/8 po) et la rondelle



frein. Ne serrez pas le boulon à cette étape.

ÉTAPE 6 :

Une réduction de tension est nécessaire pour les connexions électriques sur les montages sur glissière à des hauteurs de 7,6 m (25 pi) et plus. Faites un nœud aux fils d'alimentation au-dessus de l'orifice où les fils pénètrent dans la chambre de câblage pour réduire la tension sur les connexions. Assurez-vous que le nœud ne glisse pas à travers l'ouverture du compartiment des fils.

ÉTAPE 7 :

Glissez le bras inférieur réglable par-dessus le tuyau ou tenon d'un mur robuste de 60 mm (2 -3/8 po) de diamètre extérieur, en veillant à ne pas pincer les fils. Orientez le luminaire dans la bonne direction et serrez les quatre vis à tête hexagonale contre la paroi extérieure du tenon. Serrez à la main les (4) vis contre le tenon. Une fois les quatre vis serrées à la main, serrez les à 16 Nm (140 po-lb).

ÉTAPE 8 :

Si le boulon de 10 mm (3/8 po) maintenant les deux moitiés du bras ajustable ensemble n'a pas été desserré à l'étape 5, desserrez-le (NE PAS le retirer) à cette étape.

ÉTAPE 9 :

Inclinez le luminaire à l'angle désiré et serrez le boulon de 10 mm (3/8 po) à 25 Nm (19 pi-lb) pour bloquer le bras réglable en place.

ÉTAPE 10 :

Retirez la débouchure centrale du couvercle du compartiment des fils en la frappant à l'aide d'un marteau

et d'un poinçon.

ÉTAPE 11 :

Retirez l'écrou du raccord fileté de la cellule photoélectrique et insérez le raccord fileté de la phot cellule à travers le trou du couvercle. Le corps de la phot cellule et le joint torique du raccord fileté doivent restés sur la paroi interne du couvercle.

ÉTAPE 12 :

Serrez l'écrou sur l'extrémité exposée du raccord fileté pour fixer la phot cellule au couvercle.

ÉTAPE 13 :

Branchez la phot cellule en suivant les instructions de branchement fournies avec la phot cellule.

ÉTAPE 14 :

Branchez le fil de terre d'alimentation au fil de terre du luminaire.

ÉTAPE 15 :

Remplacez le couvercle du compartiment des fils retiré à l'étape 3. Serrez les vis à 3,5 Nm (30 po-lb).

MONTAGE DU BRAS RÉGLABLE AVEC PHOTOCELLULE À VERROU TOURNANT - NÉCESSITE L'ACCESSOIRE NTX-3R OU NTX-7R ET UNE PHOTOCELLULE À VERROU TOURNANT (COMMANDÉ SÉPARÉMENT)

REMARQUE : Les projecteurs d'illumination sont uniquement conçus pour un angle de montage de 0° (horizontal) à une inclinaison de 45°.

REMARQUE : Les projecteurs d'illumination ne doivent pas être utilisés comme luminaire à éclairage dirigé vers le haut.

ÉTAPE 1 :

Branchez l'extrémité femelle du raccord rapide, fourni avec le tourillon, dans le connecteur mâle du luminaire. Assurez-vous que les deux moitiés se verrouillent ensemble. Voir **Figure 1**.

ÉTAPE 2 :

Positionnez le luminaire à assembler sur le bras réglable avec le côté optique vers le bas et les trous de montage orientés vers vous.

IMPORTANT : Le bras réglable avec la phot cellule à verrou tournant doit être monté avec le réceptacle du verrou tournant sur le côté droit du bras réglable, vu de derrière le luminaire.

ÉTAPE 3 :

Alignez les quatre trous situés sur la partie supérieure du bras réglable avec les quatre trous taraudés du boîtier du luminaire. Fixez le bras réglable au luminaire à l'aide des quatre (4) boulons de 8 mm (5/16 po) et des rondelles de blocage fournis avec l'ensemble du bras réglable. Serrez les boulons à 15 Nm (132 po-lb). Voir **Figure 8**.

ÉTAPE 4 :

Retirez le couvercle du compartiment des fils sur le bras réglable en retirant les (2) vis. Voir **Figure 8**.

ÉTAPE 5 :

Faites passer les fils d'alimentation vers le haut par le tenon sur lequel le luminaire sera monté.

ÉTAPE 6 :

Acheminez les câbles d'alimentation par l'extrémité ouverte du bras réglable et dans le compartiment des fils.

REMARQUE : Il peut être nécessaire de démonter les parties supérieure et inférieure du bras réglable afin de faire passer les fils dans le compartiment des fils. Si un démontage est nécessaire, retirez le boulon de 10 mm (3/8 po) et la rondelle de blocage à l'intérieur du compartiment des fils et acheminez les fils dans le compartiment des fils. Voir **Figure 8**. Réassemblez les moitiés supérieure et inférieure du bras et remplacez le boulon de 10 mm (3/8 po) et la rondelle frein. Ne serrez pas le boulon à cette étape.

ÉTAPE 7 :

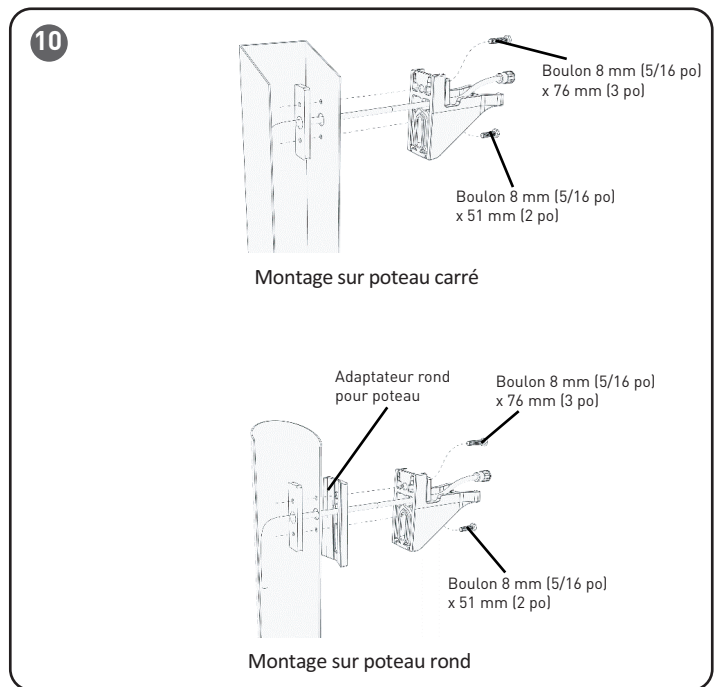
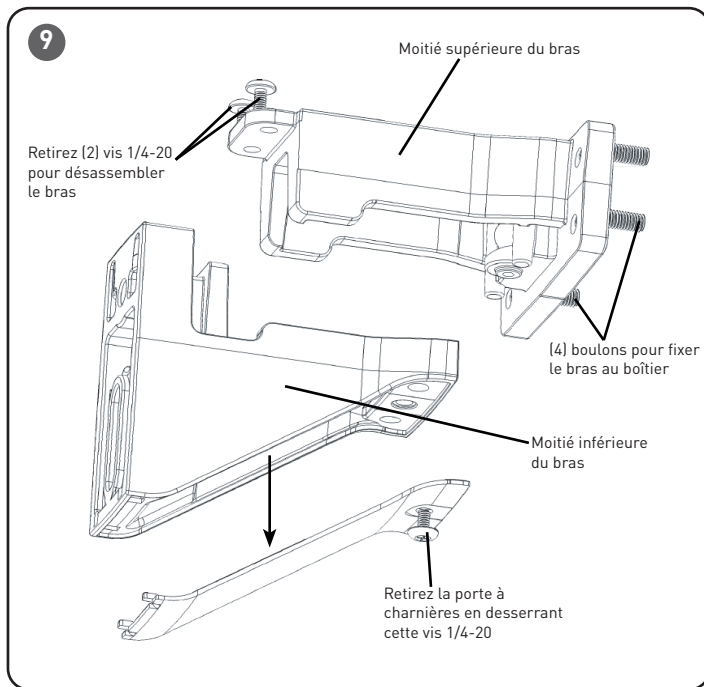
Une réduction de tension est nécessaire pour les connexions électriques sur les montages sur glissière à des hauteurs de 7,6 m (25 pi) et plus. Faites un nœud aux fils d'alimentation au-dessus de l'orifice où les fils pénètrent dans la chambre de câblage pour réduire la tension sur les connexions. Assurez-vous que le nœud ne glisse pas à travers l'ouverture du compartiment des fils.

ÉTAPE 8 :

Glissez le bras inférieur réglable par-dessus le tuyau ou tenon d'un mur robuste de 60 mm (2 -3/8 po) de diamètre extérieur, en veillant à ne pas pincer les fils. Orientez le luminaire dans la bonne direction et serrez les quatre vis à tête hexagonale contre la paroi extérieure du tenon. Serrez à la main les (4) vis contre le tenon. Une fois les quatre vis serrées à la main, serrez les à 16 Nm (140 po-lb).

ÉTAPE 9 :

Si le boulon de 10 mm (3/8 po) maintenant les deux moitiés du bras ajustable ensemble n'a pas été desserré à l'étape 6, desserrez-le (NE PAS le retirer) à cette étape.



ÉTAPE 10 :

Inclinez le luminaire à l'angle désiré et serrez le boulon de 10 mm (3/8 po) à 25 Nm (19 pi-lb) pour bloquer le bras réglable en place.

ÉTAPE 11 :

Effectuez les branchements de fils à l'intérieur du compartiment des fils conformément à la section **Branchements électriques**.

ÉTAPE 12 :

Remplacez le couvercle du compartiment des fils retiré à l'étape 4. Serrez les vis à 3,5 Nm (30 po-lb).

REMARQUE : Le réceptacle du verrou tournant doit être positionné pour que la photocellule soit inclinée entre +/- 45° de la verticale. Voir **Figure 6**. Assurez-vous que la photocellule est correctement orientée quand vous remplacez le couvercle.

ÉTAPE 13 :

Installez la photocellule à verrou tournant

MONTAGE DU BRAS DIRECT – NÉCESSITE L'ACCESSOIRE NTA-DA

REMARQUE : Les projecteurs d'illumination ne doivent pas être utilisés comme luminaire à éclairage dirigé vers le haut.

ÉTAPE 1 :

Retirez les (2) vis 1/4-20 situées sur la partie supérieure du bras direct et la vis 1/4-20 sur la partie inférieure du bras direct. Voir **Figure 9**.

ÉTAPE 2 :

Retirez la porte articulée de la base du bras direct.

ÉTAPE 3 :

Séparez les moitiés supérieure et inférieure du bras direct.

ÉTAPE 4 :

Branchez l'extrémité femelle du raccord rapide, fourni avec le bras direct, dans le connecteur mâle du luminaire. Assurez-vous que les deux moitiés se verrouillent ensemble. Voir **Figure 1**.

ÉTAPE 5 :

Acheminez l'autre extrémité du cordon d'alimentation à travers le grand trou situé dans la partie supérieure du bras direct.

ÉTAPE 6 :

Alignez les quatre trous de la moitié supérieure du bras avec les quatre trous taraudés du boîtier du luminaire. Fixez la moitié supérieure du bras au luminaire à l'aide des quatre (4) boulons de 8 mm (5/16 po) x 25 mm (1 po) et des rondelles de blocage fournies avec l'ensemble du bras. Serrez les boulons à 15 Nm (132 po-lb). Voir **Figure 9**.

ÉTAPE 7 :

Utilisez le gabarit de la **Figure 11 en page 6** pour percer le poteau s'il n'est pas prépercé. **REMARQUE :** Le gabarit n'est pas à l'échelle.

ÉTAPE 8 :

Montez la moitié inférieure du bras direct sur le poteau en enfilant un boulon et rondelle de blocage de 8 mm (5/16 po) x 76 mm (3 po) par le trou supérieur du bras, par le trou supérieur du poteau et dans le trou fileté supérieur de la plaque de support à l'intérieur du poteau.

Enfilez un boulon de 8 mm (5/16 po) x 51 mm (2 po) avec rondelle de blocage par la fente inférieure du bras, le trou inférieur du poteau et dans le trou fileté inférieur de la plaque de support. Voir **Figure 10**. Serrez les 2 boulons à 15 Nm (132 po-lb).

REMARQUE : Un adaptateur rond pour poteau est inclus avec le jeu d'accessoires du bras direct. L'adaptateur convient aux poteaux ronds de 102 mm (4 po) à 127 mm (5 po) de diamètre. Pour utiliser l'adaptateur, coincez l'adaptateur entre la moitié inférieure du bras et le poteau (côté arrondi de l'adaptateur vers le poteau) pour fixer le bras au poteau. Voir **Figure 10**.

ÉTAPE 9 :

Acheminez l'extrémité libre du cordon d'alimentation depuis la moitié supérieure du bras à travers le trou central situé dans la partie inférieure du bras puis à l'intérieur du poteau. Voir **Figure 10**.

REMARQUE : Lorsque vous acheminez le cordon vers le trou situé dans la moitié inférieure du bras, assurez-vous que le cordon passe au-dessus de la barre transversale horizontale sur la moitié inférieure du bras.

ÉTAPE 10 :

Disposez la moitié supérieure du bras fixé à la tête du luminaire sur la moitié inférieure du bras.

ÉTAPE 11 :

Remplacez les (2) vis 1/4-20 retirées de la partie supérieure du bras. Serrez les vis à 8 Nm (72 po-lb).

ÉTAPE 12 :

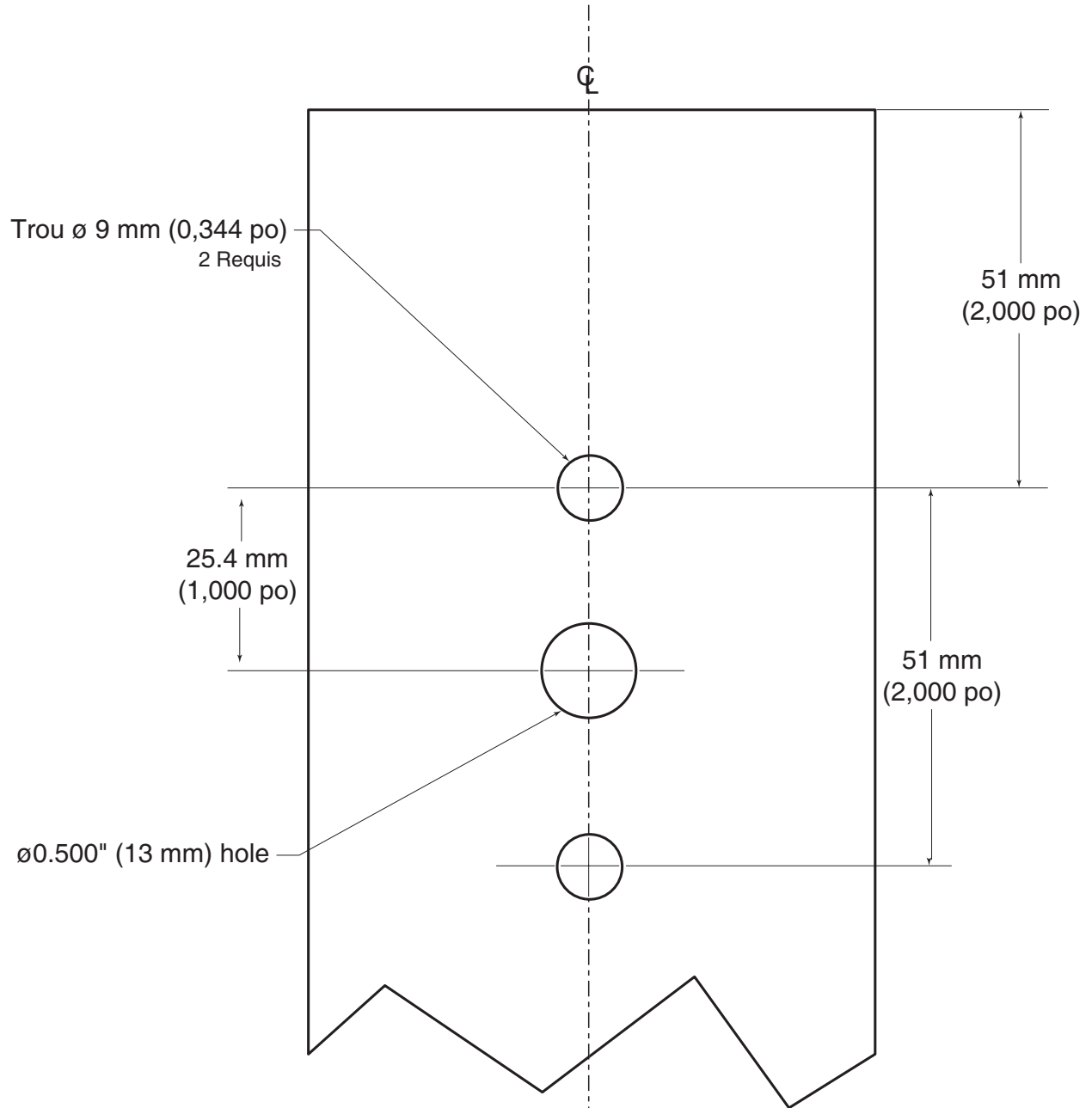
Remplacez le couvercle du bras et la vis de retenue. Serrez la vis à 8 Nm (72 po-lb).

ÉTAPE 13 :

Effectuez les branchements de câblage aux fils du cordon à l'intérieur du poteau conformément à la section **Branchements électriques**.

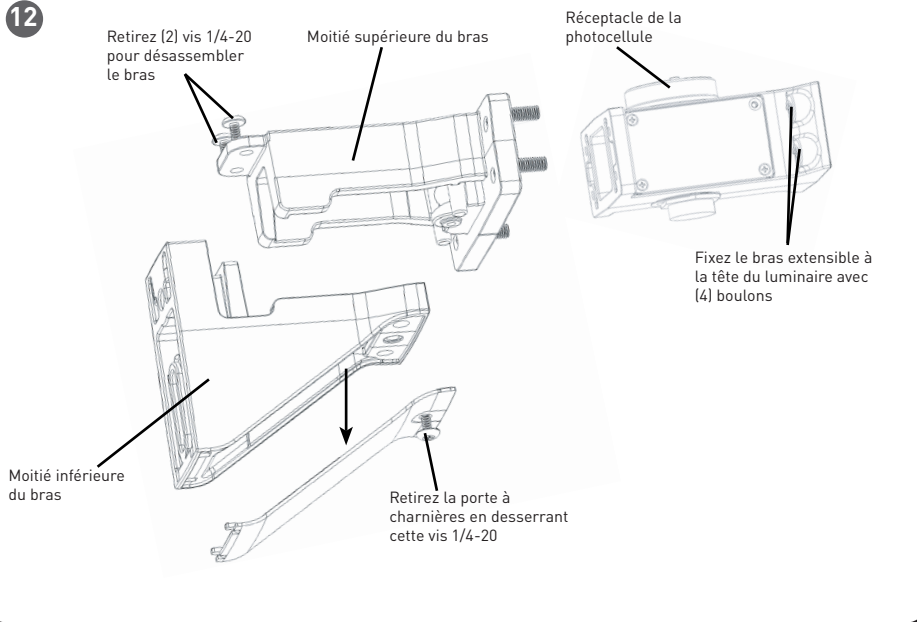
ÉTAPE 14 :

Remplacez le capuchon du poteau



NON À L'ÉCHELLE

12



MONTAGE DU BRAS DIRECT AVEC BRAS EXTENSIBLE ET PHOTOCELLULE À VERROU TOURNANT - NÉCESSITE L'ACCESSOIRE NTA-DA, NTX-3R OU NTX-7R ET UNE PHOTOCELLULE À VERROU TOURNANT

REMARQUE : Les projecteurs d'illumination ne doivent pas être utilisés comme luminaire à éclairage dirigé vers le haut.

ÉTAPE 1 :

Branchez l'extrémité femelle du raccord rapide, fourni avec le bras extensible, dans le connecteur mâle du luminaire. Assurez-vous que les deux moitiés se verrouillent ensemble. Voir **Figure 1**.

ÉTAPE 2 :

Alignez les quatre trous non filetés situés sur le bras extensible avec les quatre trous taraudés du boîtier du luminaire. Fixez le bras extensible au luminaire à l'aide des quatre (4) boulons de 8 mm (5/16 po) et des rondelles de blocage fournis avec le jeu du bras extensible. Serrez les boulons à 15 Nm (132 po-lb). Voir **Figure 12**.

REMARQUE : Le réceptacle à verrou tournant doit être orienté vers le haut (à l'écart de la face éclairée du luminaire) pour éviter les fuites et les cycles non désirés.

ÉTAPE 3 :

Retirez les (2) vis 1/4-20 situées sur la partie supérieure du bras direct et la vis 1/4-20 sur la partie inférieure du bras direct. Voir **Figure 9**.

ÉTAPE 4 :

Retirez la porte articulée de la base du bras direct.

ÉTAPE 5 :

Séparez les moitiés supérieure et inférieure du bras direct.

ÉTAPE 6 :

Branchez l'extrémité femelle du raccord rapide, fourni avec le bras direct, dans le connecteur mâle du bras extensible. Assurez-vous que les deux moitiés se verrouillent ensemble. Voir **Figure 1**.

ÉTAPE 7 :

Acheminez l'extrémité libre du cordon d'alimentation à travers le grand trou situé dans la partie supérieure du bras direct.

ÉTAPE 8 :

Alignez les quatre trous de la moitié supérieure du bras avec les quatre trous taraudés du bras extensible. Fixez la moitié supérieure du bras au bras extensible à l'aide des quatre (4) boulons de 8 mm (5/16 po) x 25 mm (1 po) et des rondelles de blocage fournis avec l'ensemble du bras direct. Serrez les boulons à 15 Nm (132 po-lb). Voir **Figure 12**.

ÉTAPE 9 :

Utilisez le gabarit de la **Figure 11 en page 6** pour percer le poteau s'il n'est pas prépercé.

REMARQUE : Le gabarit n'est pas à l'échelle.

ÉTAPE 10 :

Montez la moitié inférieure du bras direct sur le poteau en enfilant un

boulon et rondelle de blocage de 8 mm (5/16 po) x 76 mm (3 po) par le trou supérieur du bras, par le trou supérieur du poteau et dans le trou fileté supérieur de la plaque de support à l'intérieur du poteau. Enfilez un boulon de 8 mm (5/16 po) x 51 mm (2 po) avec rondelle de blocage par la fente inférieure du bras, le trou inférieur du poteau et dans le trou fileté inférieur de la plaque de support. Voir **Figure 10**. Serrez les 2 boulons à 15 Nm (132 po-lb).

REMARQUE : Un adaptateur rond pour poteau est inclus avec le jeu d'accessoires du bras direct. L'adaptateur convient aux poteaux ronds de 102 mm (4 po) à 127 mm (5 po) de diamètre. Pour utiliser l'adaptateur, coincez l'adaptateur entre la moitié inférieure du bras et le poteau (côté arrondi de l'adaptateur vers le poteau) pour fixer le bras au poteau. Voir **Figure 10**.

ÉTAPE 11 :

Acheminez l'extrémité libre du cordon d'alimentation depuis la moitié supérieure du bras à travers le trou central situé dans la partie inférieure du bras puis à l'intérieur du poteau. Voir **Figure 10**.

REMARQUE : Lorsque vous acheminez le cordon vers le trou situé dans la moitié inférieure du bras, assurez-vous que le cordon passe au-dessus de la barre transversale horizontale sur la moitié inférieure du bras.

ÉTAPE 12 :

Disposez la moitié supérieure du bras direct fixé au bras extensible et à la tête du luminaire sur la moitié inférieure du bras direct.

ÉTAPE 13 :

Remplacez les (2) vis 1/4-20 retirées de la partie supérieure du bras. Serrez les vis à 8 Nm (72 po-lb).

ÉTAPE 14 :

Remplacez le couvercle du bras et la vis de retenue. Serrez la vis à 8 Nm (72 po-lb).

ÉTAPE 15 :

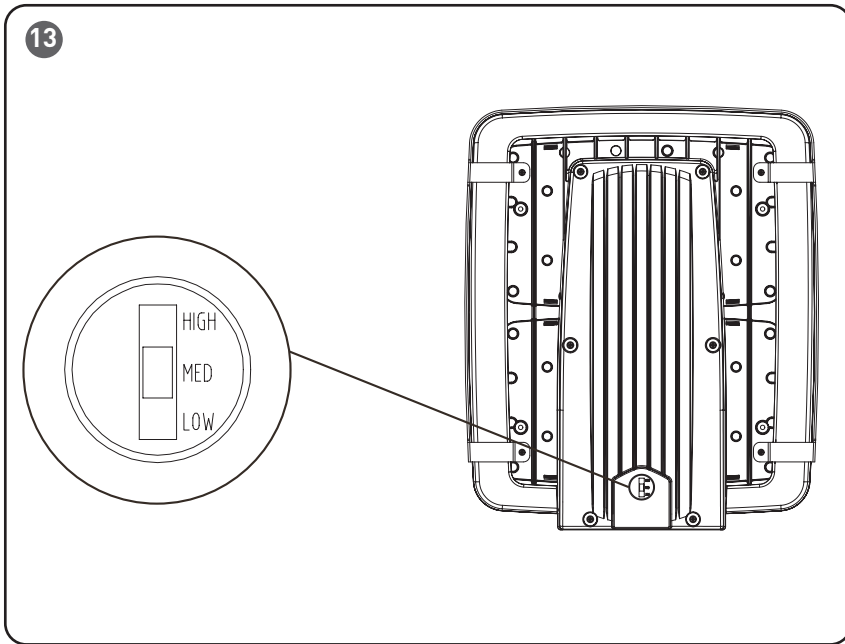
Effectuez les branchements de câblage aux fils du cordon à l'intérieur du poteau conformément à la section **Branchements électriques**.

ÉTAPE 16 :

Installez la photocellule à verrou tournant.

ÉTAPE 17 :

Remplacez le capuchon du poteau.



RÉGLAGE DE LA PUISSANCE

Ce produit peut être réglé à une puissance de 50 W, 60 W ou 75 W grâce à l'interrupteur à trois positions situé à l'arrière du boîtier. Voir **Figure 13**.

FCC (FEDERAL COMMUNICATIONS COMMISSION)

MISE EN GARDE : Les changements ou modifications non expressément approuvés peuvent annuler votre droit à utiliser cet équipement.

Cet appareil est conforme avec la Partie 15 des Règlements de la FCC. L'utilisation est sujette aux deux conditions suivantes : (1) Cet appareil ne peut pas causer d'interférences nuisibles, et (2) cet appareil doit accepter toute interférence reçue, y compris les interférences pouvant causer un fonctionnement non désiré.

Cet équipement a été testé et déclaré conforme aux limitations pour un appareil numérique de classe A, conformément à la section 15 des règles de la FCC. Ces limites sont établies afin de fournir une protection raisonnable contre les interférences dommageables lorsque l'appareil est utilisé dans un environnement commercial. Cet équipement génère, utilise et peut émettre une énergie de fréquence radio et, si non installé et utilisé selon le manuel d'instructions, peut causer une interférence nuisible aux communications radio. L'utilisation de cet équipement dans une zone résidentielle va sans doute causer une interférence nuisible où il sera requis que l'utilisateur corrige l'interférence à ses propres frais.

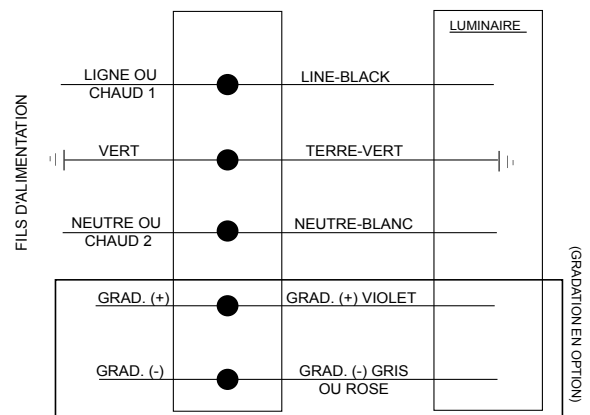
CAN ICES-005 (A)/NMB-005 (A)

RACCORDEMENTS ÉLECTRIQUES

ÉTAPE 1 :

Effectuez les connexions électriques suivantes au câble d'alimentation :

- Pour 120/277/347 V, raccordez le câble noir du luminaire à l'alimentation en tension ou Chaud 1 (pour branchement à 208/240/480 V).
- Pour 120/277/347 V, raccordez le câble blanc du luminaire à l'alimentation neutre ou Chaud 2 (pour branchement à 208/240/480 V).
- Raccordez le fil de terre du luminaire (vert ou vert/jaune) au fil de terre de l'alimentation.
- Si la gradation est en option : connectez le fil positif de gradation violet au fil positif de gradation d'alimentation. Bouchez le fil violet si la gradation n'est pas utilisée.
- Si la gradation est en option, connectez le fil gris ou rose de gradation négatif au fil négatif de gradation de l'alimentation. Bouchez le fil gris ou rose si la gradation n'est pas utilisée.
- REMARQUE** : Pour les connexions avec gradation, utilisez uniquement des méthodes de câblage de classe 1.



PRECAUCIONES IMPORTANTES

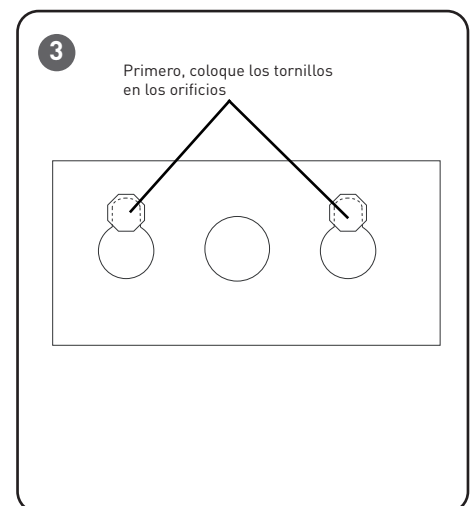
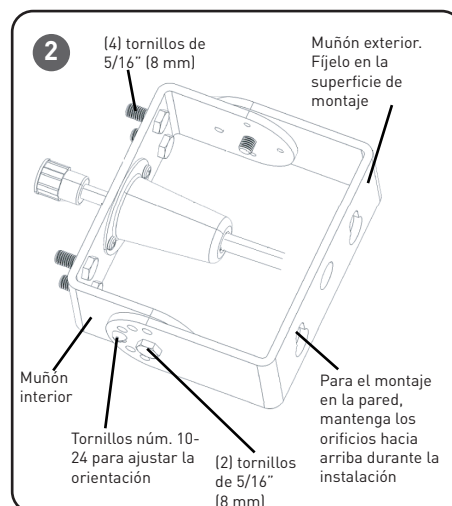
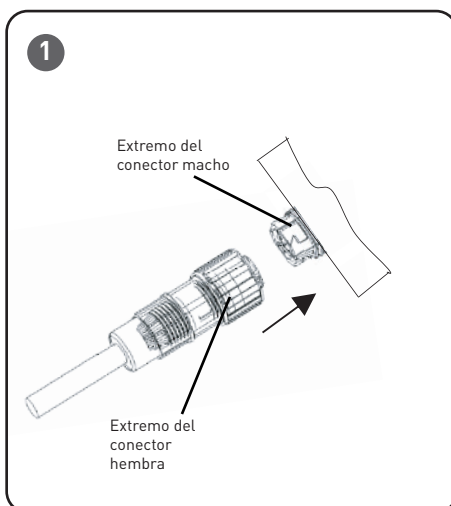
Al usar aparatos eléctricos, siempre deben seguirse ciertas medidas básicas de seguridad, incluidas las siguientes:

LEA Y SIGA TODAS LAS INSTRUCCIONES DE SEGURIDAD

- 1. PELIGRO:** Riesgo de descarga eléctrica. Desconecte la alimentación antes de la instalación.
- Esta luminaria debe instalarse de acuerdo con el Código Eléctrico de Estados Unidos (NEC, por sus siglas en inglés) o con el código eléctrico local. Si no está familiarizado con estos códigos y requisitos, consulte a un electricista calificado.
- Este producto es adecuado para uso en lugares húmedos.
- Este producto es adecuado para operación en ambientes que no excedan de 40°C.
- Este producto es adecuado para instalación a una distancia de 1.2 m (4 pies) del suelo.
- Conductores de alimentación de 75°C como mínimo
- Cableado Clase 1 únicamente.

CONSERVE ESTAS INSTRUCCIONES PARA CONSULTAS POSTERIORES

PARA INSTALAR:



MONTAJE DEL MUÑÓN: REQUIERE EL USO DEL ACCESORIO NTX-TR

NOTA: Las luminarias de zonas están diseñadas solamente para un montaje con orientación de 0° (horizontal) a 45° de inclinación.

NOTA: Las luminarias de zonas no deben usarse para iluminar hacia arriba.

PASO 1:

Enchufe el extremo hembra del conector rápido, suministrado con el muñón, en el conector macho de la luminaria. Asegúrese de que las dos partes se acoplen. Ver **Figura 1**.

PASO 2:

Alinee los cuatro orificios en el muñón interior con los cuatro orificios roscados en la carcasa de la luminaria. Acople el muñón a la luminaria usando los (4) tornillos de 5/16" (8 mm) y las arandelas de

seguridad incluidos en el kit del muñón. Apriete los tornillos a 132 lb-pulg. (15 N·m). Ver **Figura 2**.

PASO 3:

Monte la luminaria en la ubicación deseada usando los (2) tornillos de 3/8" (10 mm) (suministrados por el cliente) adecuados para la superficie de montaje. Ver **Figura 3**.

PASO 4:

Haga las conexiones a los cables de acuerdo con la sección **Conexiones eléctricas**.

PASO 5:

Retire los tornillos de posicionamiento núm. 10-24 a ambos lados del muñón.

PASO 6:

Afloje los dos tornillos de cabeza hexagonal de

5/16" (8 mm) ubicados a ambos lados del muñón.

PASO 7:

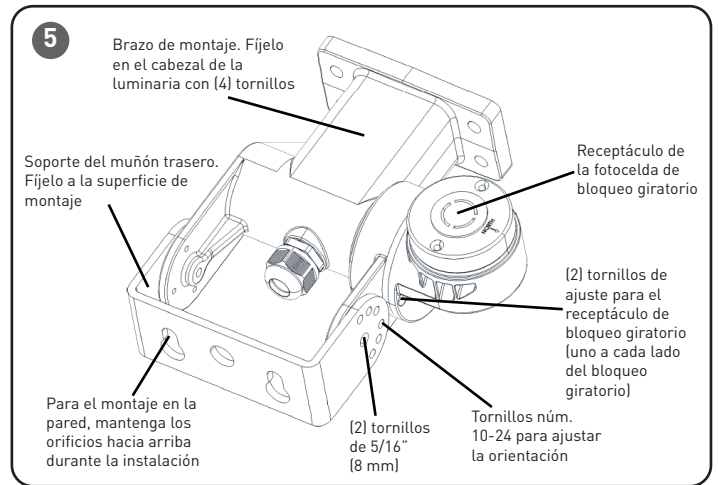
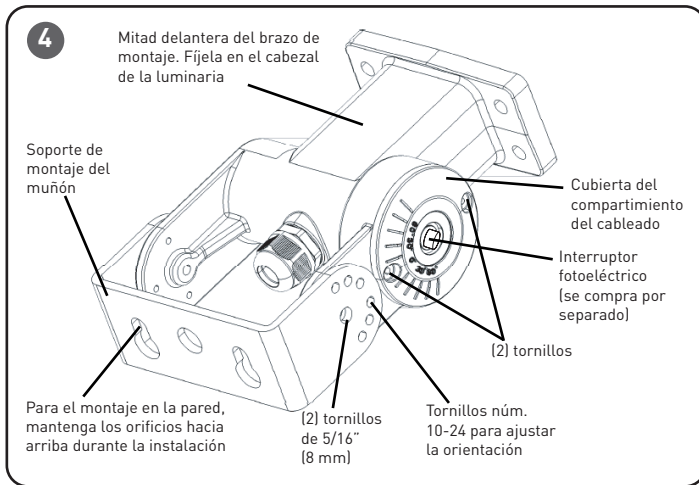
Gire el muñón hacia el ángulo de inclinación deseado. Alinee los orificios de posicionamiento del muñón interior y exterior.

PASO 8:

Coloque uno de los tornillos núm. 10-24, que retiró en el paso 5, en los orificios correspondientes del muñón interior y exterior. Apriete los tornillos a 30 lb-pulg. (35 N·m). Repita este paso con el tornillo en el extremo opuesto del muñón.

PASO 9:

Apriete los dos tornillos de cabeza hexagonal de 5/16" en los extremos opuestos del muñón a 132 lb-pulg. (15 N·m).



MUÑÓN CON INTERRUPTOR FOTOELÉCTRICO: REQUIERE EL USO DEL ACCESORIO NTX-TR-PK Y EL INTERRUPTOR FOTOELÉCTRICO (SE COMPRAN POR SEPARADO)

NOTA: Las luminarias de zonas están diseñadas solamente para un montaje con orientación de 0° (horizontal) a 45° de inclinación.

NOTA: Las luminarias de zonas no deben usarse para iluminar hacia arriba.

PASO 1:

Enchufe el extremo hembra del conector rápido, suministrado con el muñón, en el conector macho de la luminaria. Asegúrese de que las dos partes se acoplen. Ver **Figura 1**.

PASO 2:

Alinee los cuatro orificios en la mitad frontal del muñón con los cuatro orificios roscados en la carcasa de la luminaria. Acople el muñón a la luminaria usando los (4) tornillos de 5/16" (8 mm) y las arandelas de seguridad incluidos en el kit del muñón. Apriete los tornillos a 132 lb-pulg. (15 N·m). Ver **Figura 4**.

PASO 3:

Retire la tapa del compartimiento del cableado del muñón aflojando los (2) tornillos. Ver **Figura 4**.

PASO 4:

Perfore el orificio precortado central de la tapa usando un martillo y un punzón.

PASO 5:

Retire la tuerca del niple roscado de la fotocelda e insértelo en el orificio de la tapa. El cuerpo de la fotocelda y la junta tórica del niple roscado deben mantenerse en la superficie interior de la tapa.

PASO 6:

Apriete la tuerca en el extremo expuesto del niple roscado para asegurar la fotocelda a la tapa.

PASO 7:

Realice el cableado de la fotocelda siguiendo las instrucciones de cableado incluidas con la fotocelda.

PASO 8:

Vuelva a instalar la tapa del compartimiento del cableado que se retiró anteriormente en el paso 3. Apriete los tornillos a 30 lb-pulg. (3.5 N·m).

NOTA: Asegúrese de no pellizcar ningún cable.

PASO 9:

Monte la luminaria en la ubicación deseada usando los (2) tornillos de 3/8" (10 mm)

(suministrados por el cliente) adecuados para la superficie de montaje. Ver **Figura 3**.

PASO 10:

Haga las conexiones a los cables de acuerdo con la sección **Conexiones eléctricas**.

PASO 11:

Retire los tornillos de posicionamiento núm. 10-24 a ambos lados del muñón.

PASO 12:

Afloje los dos tornillos de cabeza hexagonal de 5/16" (8 mm) ubicados a ambos lados del muñón.

PASO 13:

Gire el muñón hacia el ángulo de inclinación deseado. Alinee los orificios de posicionamiento del muñón interior y exterior.

PASO 14:

Coloque uno de los tornillos núm. 10-24, que retiró en el paso 11, en los orificios correspondientes del muñón interior y exterior. Apriete los tornillos a 30 lb-pulg. (35 N·m). Repita este paso con el tornillo en el extremo opuesto del muñón.

PASO 15:

Apriete los dos tornillos de cabeza hexagonal de 5/16" en los extremos opuestos del muñón a 132 lb-pulg. (15 N·m).

MUÑÓN CON RECEPTÁCULO DE FOTOCELDA DE BLOQUEO GIRATORIO: REQUIERE EL USO DEL ACCESORIO NTX-TR-3R O NTX-TR-7R Y LA FOTOCELDA DE BLOQUEO GIRATORIO (SE COMPRAN POR SEPARADO)

NOTA: Las luminarias de zonas están diseñadas solamente para un montaje con orientación de 0° (horizontal) a 45° de inclinación.

NOTA: Las luminarias de zonas no deben usarse para iluminar hacia arriba.

PASO 1:

Enchufe el extremo hembra del conector rápido, suministrado con el muñón, en el conector macho de la luminaria. Asegúrese de que las dos partes se acoplen. Ver **Figura 1**.

PASO 2:

Coloque la luminaria que se ensamblará al muñón con el lado óptico hacia abajo y los orificios de montaje orientados hacia usted.

IMPORTANTE: El muñón con la fotocelda de bloqueo giratorio debe colocarse con el receptáculo de bloqueo giratorio del lado derecho del muñón

visto desde la parte posterior de la luminaria.

PASO 3:

Alinee los cuatro orificios en el muñón interior con los cuatro orificios roscados en la carcasa de la luminaria. Acople el muñón a la luminaria usando los (4) tornillos de 5/16" (8 mm) y las arandelas de seguridad incluidos en el kit del muñón. Apriete los tornillos a 132 lb-pulg. (15 N·m). Ver **Figura 5**.

PASO 4:

Monte la luminaria en la ubicación deseada usando los (2) tornillos de 3/8" (10 mm) (suministrados por el cliente) adecuados para la superficie de montaje. Ver **Figura 3**.

PASO 5:

Haga las conexiones a los cables de acuerdo con la sección **Conexiones eléctricas**.

PASO 6:

Retire los tornillos de posicionamiento núm. 10-24 a ambos lados del muñón.

PASO 7:

Afloje los dos tornillos de cabeza hexagonal de 5/16" (8 mm) ubicados a ambos lados del muñón.

PASO 8:

Gire el muñón hacia el ángulo de inclinación deseado. Alinee los orificios de posicionamiento del muñón interior y exterior.

PASO 9:

Coloque los tornillos núm. 10-24, que retiró en el paso 6, en los orificios correspondientes del muñón interior y exterior. Apriete los tornillos a 30 lb-pulg. (35 N·m). Repita este paso con el tornillo en el extremo opuesto del muñón.

PASO 10:

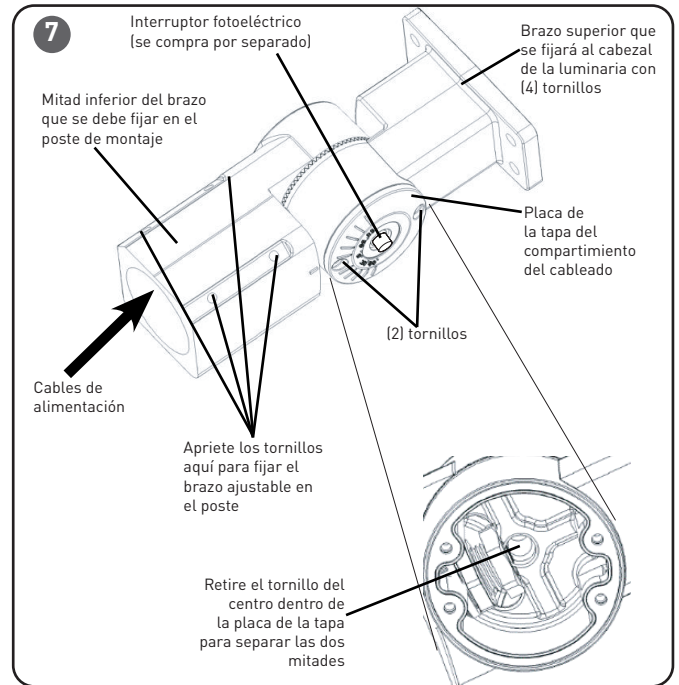
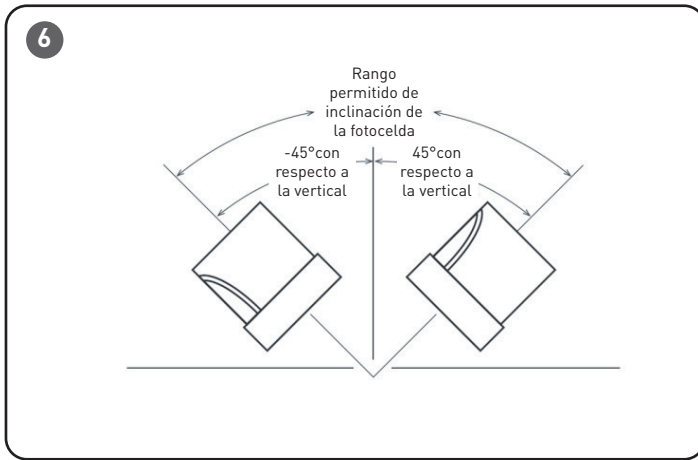
Apriete los dos tornillos de cabeza hexagonal de 5/16" en los extremos opuestos del muñón a 132 lb-pulg. (15 N·m).

PASO 11:

El receptáculo de bloqueo giratorio debe colocarse de manera que la fotocelda esté orientada a $\pm 45^\circ$ con respecto a la vertical. Ver **Figura 6**. **Si es necesario reubicar el receptáculo para que la fotocelda esté orientada a este ángulo de inclinación, retire los tornillos que fijan el soporte de montaje del receptáculo al muñón (ver Figura 5) y reubique el soporte de montaje para que el receptáculo pueda orientarse de manera adecuada.** Vuelva a apretar los tornillos a 30 lb-pulg. (3.5 N·m) después de reubicar el soporte.

PASO 12:

Instale la fotocelda de bloqueo giratorio o tapa



supresora (se compran por separado).

BRAZO DE MONTAJE AJUSTABLE: REQUIERE EL USO DEL ACCESORIO NTX-AA

NOTA: Las luminarias de zonas están diseñadas solamente para un montaje con orientación de 0° (horizontal) a 45° de inclinación.

NOTA: Las luminarias de zonas no deben usarse para iluminar hacia arriba.

PASO 1:

Enchufe el extremo hembra del conector rápido, suministrado con el muñón, en el conector macho de la luminaria. Asegúrese de que las dos partes se acoplen. Ver **Figura 1**.

PASO 2:

Alinee los cuatro orificios en el brazo superior ajustable con los cuatro orificios roscados en la carcasa de la luminaria. Conecte el muñón al brazo ajustable con los (4) tornillos de 5/16" (8 mm) y las arandelas de seguridad proporcionadas con el kit del brazo regulable. Apriete los tornillos a 132 lb-pulg. (15 N·m). Ver **Figura 7**.

PASO 3:

Retire la tapa del compartimiento del cableado del brazo ajustable aflojando los (2) tornillos. Ver **Figura 7**.

PASO 4:

Pase los cables de alimentación a través de la espiga en la que se montará la luminaria.

PASO 5:

Pase los cables de alimentación a través del extremo abierto del brazo ajustable hasta el compartimiento del cableado.
NOTA: Puede ser necesario desarmar la parte superior e inferior del brazo ajustable para pasar los cables hacia el compartimiento del cableado. Si esto fuera necesario, retire el tornillo de 3/8" (10 mm) y la arandela de seguridad dentro del compartimiento del cableado y pase los cables hasta dicho compartimiento. Ver **Figura 7**. Vuelva a montar las partes superiores e inferiores del brazo y coloque el tornillo de 3/8" y la arandela. No

apriete el tornillo todavía.

PASO 6:

Se requiere el uso de dispositivos contra tirones en conexiones eléctricas en montajes de posicionador deslizante a alturas de 25 pies (7.6 m) y mayores. Haga un nudo en los cables de alimentación antes del orificio de entrada del cable al compartimiento del cableado para reducir el estiramiento de las conexiones. Asegúrese de que el nudo no se resbale por la abertura del compartimiento del cableado.

PASO 7:

Deslice el brazo ajustable inferior en el tubo de pared gruesa o espiga de 2 -3/8" (60 mm) de diámetro exterior asegurándose de no pellizcar ningún cable. Oriente la luminaria en la dirección adecuada y ajuste a mano los cuatro tornillos de cabeza Allen contra la pared exterior de la espiga. Ajuste a mano los (4) tornillos contra la espiga. Una vez que se hayan ajustado a mano los cuatro tornillos, asegúrelos apretando a 140 lb-pulg. (16 N·m).

PASO 8:

Si el tornillo de 3/8" que sujeta las dos mitades del brazo ajustable no se aflojó en el Paso 5, aflojelo ahora (NO lo retire).

PASO 9:

Incline la luminaria al ángulo deseado y apriete el tornillo de 3/8" (10 mm) a 19 lb-pie (25 N·m) para fijar el brazo ajustable en su sitio.

PASO 10:

Haga las conexiones dentro del compartimiento del cableado de acuerdo con las instrucciones de la sección **Conexiones eléctricas**.

PASO 11:

Vuelva a instalar la tapa del compartimiento del cableado que se retiró en el paso 3. Apriete los tornillos a 30 lb-pulg. (3.5 N·m).

BRAZO DE MONTAJE AJUSTABLE CON INTERRUPTOR FOTOELÉCTRICO: REQUIERE EL USO DEL ACCESORIO NTX-AA Y DEL INTERRUPTOR FOTOELÉCTRICO (SE COMPRAN POR SEPARADO)

NOTA: Las luminarias de zonas están diseñadas solamente para un montaje con orientación de 0° (horizontal) a 45° de inclinación.

NOTA: Las luminarias de zonas no deben usarse para iluminar hacia arriba.

PASO 1:

Enchufe el extremo hembra del conector rápido, suministrado con el muñón, en el conector macho de la luminaria. Asegúrese de que las dos partes se acoplen. Ver **Figura 1**.

PASO 2:

Alinee los cuatro orificios en el brazo superior ajustable con los cuatro orificios roscados en la carcasa de la luminaria. Conecte el muñón al brazo ajustable con los (4) tornillos de 5/16" (8 mm) y las arandelas de seguridad proporcionadas con el kit del brazo regulable. Apriete los tornillos a 132 lb-pulg. (15 N·m). Ver **Figura 7**.

PASO 3:

Retire la tapa del compartimiento del cableado del brazo ajustable retirando los (2) tornillos. Ver **Figura 7**.

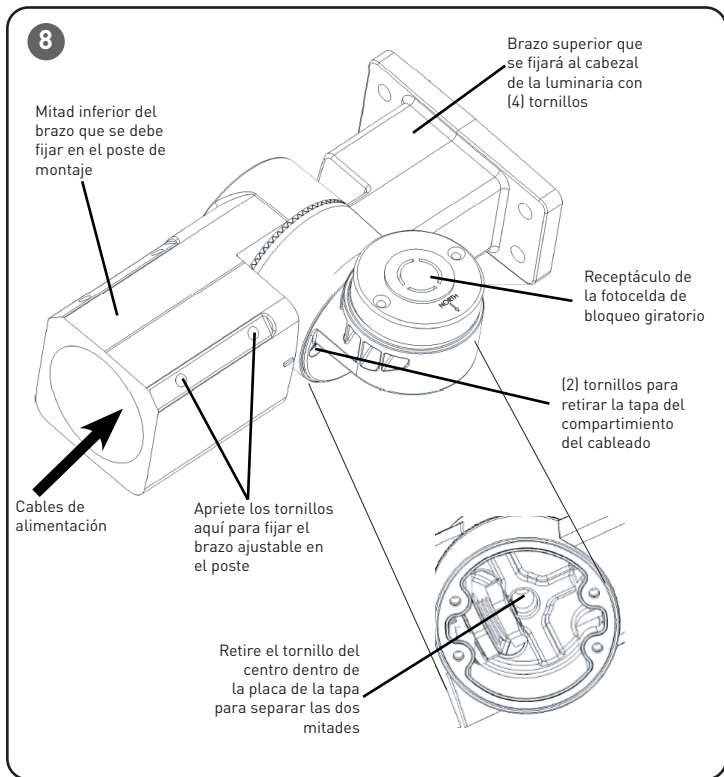
PASO 4:

Pase los cables de alimentación a través de la espiga en la que se montará la luminaria.

PASO 5:

Pase los cables de alimentación a través del extremo abierto del brazo ajustable hasta el compartimiento del cableado.

NOTA: Puede ser necesario desarmar la parte superior e inferior del brazo ajustable para pasar los cables hacia el compartimiento del cableado. Si esto fuera necesario, retire el tornillo de 3/8" (10 mm) y la arandela de seguridad dentro del compartimiento del cableado y pase los cables hasta dicho compartimiento. Ver **Figura 7**. **Vuelva a montar las partes superiores e inferiores del brazo y coloque el tornillo de 3/8" y la arandela. No apriete el tornillo todavía.**



PASO 6:

Se requiere el uso de dispositivos contra tirones en conexiones eléctricas en montajes de posicionador deslizante a alturas de 25 pies (7.6 m) y mayores. Haga un nudo en los cables de alimentación antes del orificio de entrada del cable al compartimiento del cableado para reducir el estiramiento de las conexiones. Asegúrese de que el nudo no se resbale por la abertura del compartimiento del cableado.

PASO 7:

Deslice el brazo ajustable inferior en el tubo de pared gruesa o espiga de 2 -3/8" (60 mm) de diámetro exterior asegurándose de no pellizcar ningún cable. Oriente la luminaria en la dirección adecuada y ajuste a mano los cuatro tornillos de cabeza Allen contra la pared exterior de la espiga. Una vez que se hayan ajustado a mano los cuatro tornillos, asegúrelos apretando a 140 lb-pulg. (16 N·m).

PASO 8:

Si el tornillo de 3/8" que sujeta las dos mitades del brazo ajustable no se aflojó en el Paso 5, aflójelo ahora (NO lo retire).

PASO 9:

Incline la luminaria al ángulo deseado y apriete el tornillo de 3/8" (10 mm) a 19 lb-pie (25 N·m) para fijar el brazo ajustable en su sitio.

PASO 10:

Perfore el orificio precortado central de la tapa del compartimiento del cableado usando un martillo y un punzón.

PASO 11:

Retire la tuerca del niple roscado de la fotocelda e insértelo en el orificio de la tapa. El cuerpo de la fotocelda y la junta tórica del niple roscado deben mantenerse en la superficie interior de la tapa.

PASO 12:

Apriete la tuerca en el extremo expuesto del niple roscado para asegurar la fotocelda a la tapa.

PASO 13:

Realice el cableado de la fotocelda siguiendo las instrucciones de cableado incluidas con la fotocelda.

PASO 14:

Conecte el cable de conexión a tierra de la alimentación al cable de conexión a tierra de la luminaria.

PASO 15:

Vuelva a instalar la tapa del compartimiento del cableado que se retiró en el paso 3. Apriete los tornillos a 30 lb-pulg. (3.5 N·m).

BRAZO DE MONTAJE AJUSTABLE CON RECEPTÁCULO DE FOTOCELDA DE BLOQUEO GIRATORIO: REQUIERE EL USO DEL ACCESORIO NTX-TR-3R O NTX-TR-7R Y LA FOTOCELDA DE BLOQUEO GIRATORIO (SE COMPRAN POR SEPARADO)

NOTA: Las luminarias de zonas están diseñadas solamente para un montaje con orientación de 0° (horizontal) a 45° de inclinación.

NOTA: Las luminarias de zonas no deben usarse para iluminar hacia arriba.

PASO 1:

Enchufe el extremo hembra del conector rápido, suministrado con el muñón, en el conector macho de la luminaria. Asegúrese de que las dos partes se acoplen. Ver **Figura 1**.

PASO 2:

Coloque la luminaria que se ensamblará al brazo ajustable hacia abajo con los orificios de montaje orientados hacia usted.

IMPORTANTE: el brazo ajustable con la fotocelda de bloqueo giratorio deben montarse con el receptáculo de bloqueo giratorio del lado derecho del brazo ajustable visto desde la parte posterior de la luminaria.

PASO 3:

Alinee los cuatro orificios en el brazo superior ajustable con los cuatro orificios roscados en la carcasa de la luminaria. Conecte el muñón al brazo ajustable con los (4) tornillos de 5/16" (8 mm) y las arandelas de seguridad proporcionadas con el kit del brazo regulable. Apriete los tornillos a 132 lb-pulg. (15 N·m). Ver **Figura 8**.

PASO 4:

Retire la tapa del compartimiento del cableado del brazo ajustable retirando los (2) tornillos. Ver **Figura 8**.

PASO 5:

Pase los cables de alimentación a través de la espiga en la que se montará la luminaria.

PASO 6:

Pase los cables de alimentación a través del extremo abierto del brazo ajustable hasta el compartimiento del cableado.

NOTA: Puede ser necesario desarmar la parte superior e inferior del brazo ajustable para pasar los cables hacia el compartimiento del cableado. Si esto fuera necesario, retire el tornillo de 3/8" (10 mm) y la arandela de seguridad dentro del compartimiento del cableado y pase los cables hasta dicho compartimiento. Ver **Figura 8**. Vuelva a montar las partes superiores e inferiores del brazo y coloque el tornillo de 3/8" y la arandela. No apriete el tornillo todavía.

PASO 7:

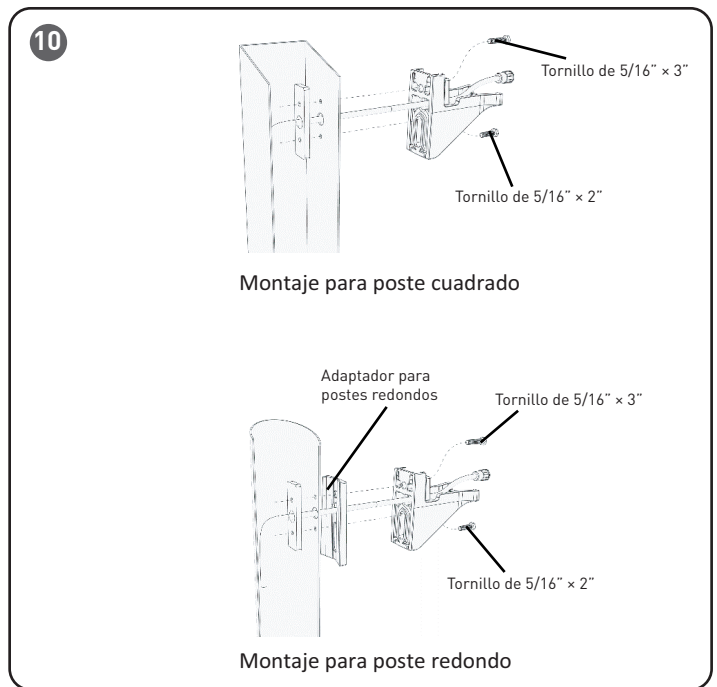
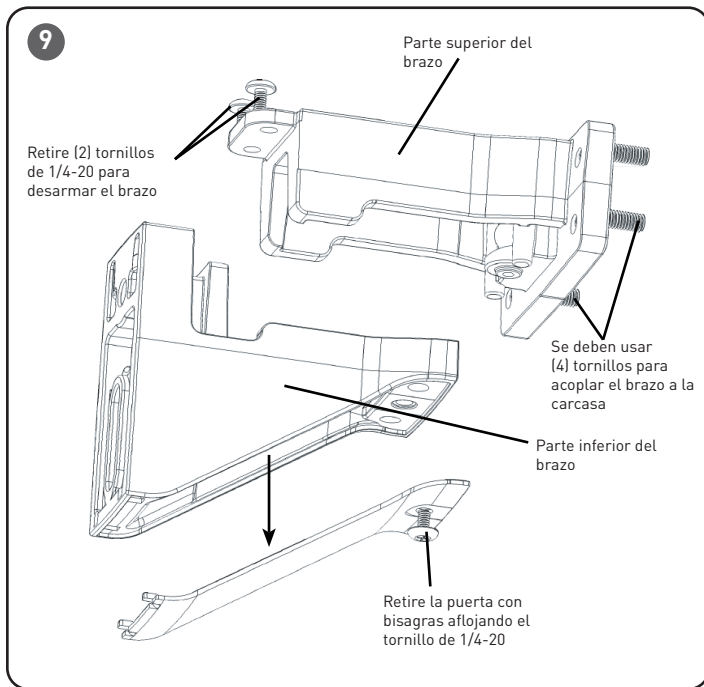
Se requiere el uso de dispositivos contra tirones en conexiones eléctricas en montajes de posicionador deslizante a alturas de 25 pies (7.6 m) y mayores. Haga un nudo en los cables de alimentación antes del orificio de entrada del cable al compartimiento del cableado para reducir el estiramiento de las conexiones. Asegúrese de que el nudo no se resbale por la abertura del compartimiento del cableado.

PASO 8:

Deslice el brazo ajustable inferior en el tubo de pared gruesa o espiga de 2 -3/8" (60 mm) de diámetro exterior asegurándose de no pellizcar ningún cable. Oriente la luminaria en la dirección adecuada y ajuste a mano los cuatro tornillos de cabeza Allen contra la pared exterior de la espiga. Una vez que se hayan ajustado a mano los cuatro tornillos, asegúrelos apretando a 140 lb-pulg. (16 N·m).

PASO 9:

Si el tornillo de 3/8" que sujeta las dos mitades del brazo ajustable no se aflojó en el Paso 6, aflójelo ahora (NO lo retire).



PASO 10:

Incline la luminaria al ángulo deseado y apriete el tornillo de 3/8" (10 mm) a 19 lb-pie (25 N·m) para fijar el brazo ajustable en su sitio.

PASO 11:

Haga las conexiones dentro del compartimiento del cableado de acuerdo con las instrucciones de la sección **Conexiones eléctricas**.

PASO 12:

Vuelva a instalar la tapa del compartimiento del cableado que se retiró en el paso 4. Apriete los tornillos a 30 lb-pulg. (3.5 N·m).

NOTA: El receptáculo de bloqueo giratorio debe colocarse de manera que la fotocelda esté orientada a

± 45° con respecto a la vertical. Ver **Figura 6**. Asegúrese de que la fotocelda esté orientada correctamente al volver a instalar la cubierta.

PASO 13:

Instale la fotocelda de bloqueo giratorio o tapa supresora (se compran por separado).

BRAZO DE MONTAJE DIRECTO: REQUIERE EL USO DEL ACCESORIO NTA-DA

NOTA: Las luminarias de zonas no deben usarse para iluminar hacia arriba.

PASO 1:

Retire los (2) tornillos de 1/4-20 de la parte superior del brazo directo y el tornillo de 1/4-20 de la parte inferior del brazo directo. Ver **Figura 9**.

PASO 2:

Retire la puerta con bisagras de la parte inferior del brazo directo.

PASO 3:

Separe la parte superior y la parte inferior del brazo directo.

PASO 4:

Enchufe el extremo hembra del conector rápido, suministrado con el brazo directo, en el conector macho de la luminaria. Asegúrese de que las dos partes se acoplen. Ver **Figura 1**.

PASO 5:

Pase el extremo libre del cable de la alimentación por el orificio grande en la parte superior del brazo directo.

PASO 6:

Alinee los cuatro orificios en la mitad superior del brazo con los cuatro orificios roscados en la carcasa de la luminaria. Acople la mitad superior del brazo a la luminaria usando los (4) tornillos de 5/16" (8 mm) x 1" (25 mm) y las arandelas suministradas en el kit del brazo. Apriete los tornillos a 132 lb-pulg. (15 N·m). Ver **Figura 9**.

PASO 7:

Use la plantilla que aparece en la **Figura 11 de la página 6** para obtener las dimensiones de taladrado en el poste si dicho poste no viene pretaladrado.

NOTA: La plantilla no está a escala.

PASO 8:

Monte la mitad inferior del brazo directo en el poste enroscando el tornillo de 5/16" (8 mm) x 3" (76 mm) con las arandelas a través del orificio superior del

brazo, a través del orificio superior del poste y en el orificio roscado superior de la placa de apoyo dentro del poste.

Enrosque el tornillo de 5/16" (8 mm) x 2" (51 mm) con las arandelas a través de la ranura inferior del brazo, el orificio inferior del poste y en el orificio roscado inferior de la placa de apoyo. Ver **Figura 10**. Apriete los dos tornillos a 132 lb-pulg. (15 N·m).

NOTA: Se incluye con el kit de accesorios del brazo directo un adaptador de poste redondo. El adaptador funciona con postes redondos que tengan un diámetro de 4" (102 mm) a 5" (127 mm). Para utilizar el adaptador, posicione el adaptador entre la mitad inferior del brazo y el poste (radio del adaptador hacia el poste) cuando acople el brazo al poste. Ver **Figura 10**.

PASO 9:

Pase el extremo libre del cable de la parte superior del brazo por el orificio central de la parte inferior del brazo y en el poste. Ver **Figura 10**.

NOTA: Al pasar el cable por el orificio de la parte inferior del brazo, asegúrese de que el cable pase por encima del tope horizontal de la parte inferior del brazo.

PASO 10:

Posicione la parte superior del brazo que está acoplada al cabezal de la luminaria en la parte inferior del brazo.

PASO 11:

Vuelva a colocar los (2) tornillos de 1/4-20 que se retiraron de la parte superior del brazo. Apriete los tornillos a 72 lb-pulg. (8 N·m).

PASO 12:

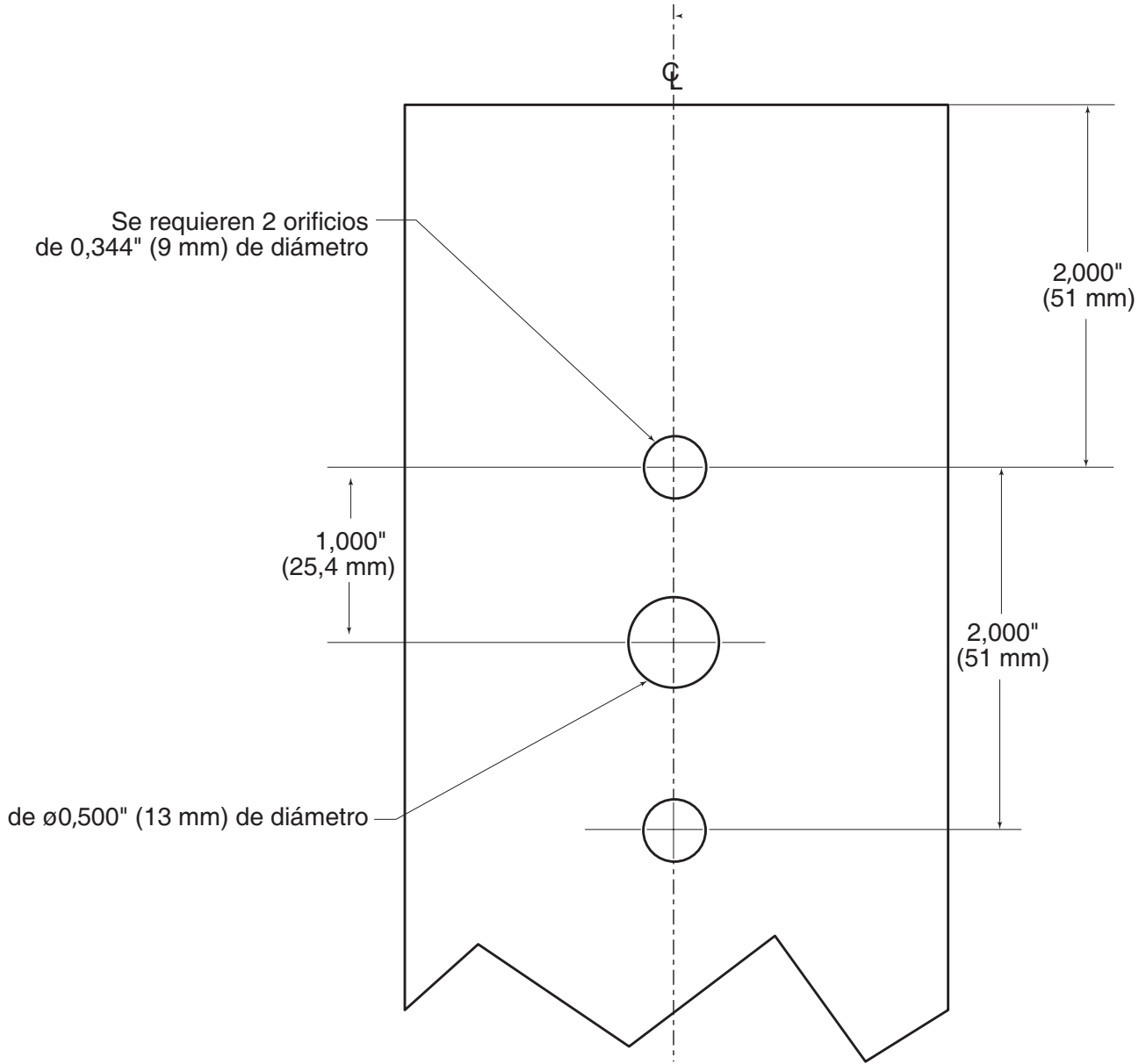
Vuelva a colocar la cubierta del brazo y el tornillo de retención. Apriete el tornillo a 72 lb-pulg. (8 N·m).

PASO 13:

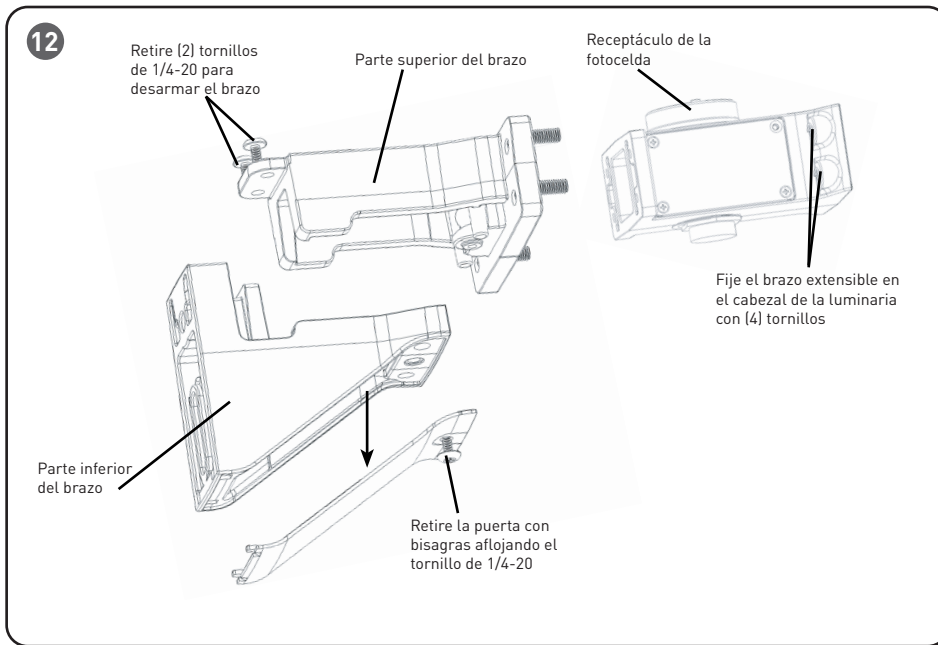
Haga las conexiones dentro del compartimiento del cableado de acuerdo con las instrucciones de la sección **Conexiones eléctricas**.

PASO 14:

Vuelva a colocar la tapa del poste.



NO ESTÁ A ESCALA



BRAZO DE MONTAJE DIRECTO CON BRAZO EXTENSIBLE Y FOTOCELDA DE BLOQUEO GIRATORIO: REQUIERE EL USO DE LOS ACCESORIOS NTA-DA, NTX-TR-3R O NTX-TR-7R Y LA FOTOCELDA DE BLOQUEO GIRATORIO

NOTA: Las luminarias de zonas no deben usarse para iluminar hacia arriba.

PASO 1:

Enchufe el extremo hembra del conector rápido, suministrado con el brazo extensible, en el conector macho de la luminaria. Asegúrese de que las dos partes se acoplen. Ver **Figura 1**.

PASO 2:

Alinee los cuatro orificios no roscados en el brazo extensible con los cuatro orificios roscados en la carcasa de la luminaria. Acople el brazo extensible a la luminaria usando los (4) tornillos de 5/16" (8 mm) y las arandelas suministradas en el kit del brazo extensible. Apriete los tornillos a 132 lb-pulg. (15 N·m). Ver **Figura 12**.

NOTA: El receptáculo de bloqueo giratorio debe mirar hacia arriba (lejos de la cara iluminada de la luminaria) para evitar filtraciones e intensidades no deseadas.

PASO 3:

Retire los (2) tornillos de 1/4-20 de la parte superior del brazo directo y el tornillo de 1/4-20 de la parte inferior del brazo directo. Ver **Figura 9**.

PASO 4:

Retire la puerta con bisagras de la parte inferior del brazo directo.

PASO 5:

Separe la parte superior y la parte inferior del brazo directo.

PASO 6:

Enchufe el extremo hembra del conector rápido, suministrado con el brazo directo, en el conector macho del brazo extensible. Asegúrese de que las dos partes se acoplen. Ver **Figura 1**.

PASO 7:

Pase el extremo libre del cable de la alimentación por el orificio grande en la parte superior del brazo directo.

PASO 8:

Alinee los cuatro orificios en la mitad superior del brazo con los cuatro orificios roscados en el brazo extensible. Acople la mitad superior del brazo al brazo extensible usando los (4) tornillos de 5/16" (8 mm) × 1" (25 mm) y las arandelas suministradas en el kit del brazo directo. Apriete los tornillos a 132 lb-pulg. (15 N·m). Ver **Figura 12**.

PASO 9:

Use la plantilla que aparece en la **Figura 11 de la página 6** para obtener las dimensiones de taladrado en el poste si dicho poste no viene pretaladrado.

NOTA: La plantilla no está a escala.

PASO 10:

Monte la mitad inferior del brazo directo en el poste enroscando el tornillo de 5/16" (8 mm) × 3" (76 mm) con las arandelas a través del orificio superior del brazo, a través del orificio superior del poste y en el orificio roscado superior de la placa de apoyo dentro del poste. Enrosque el tornillo de 5/16" (8 mm) × 2" (51 mm) con las arandelas a través de la ranura inferior del brazo, el orificio inferior del poste y en el orificio roscado inferior de la placa de apoyo. Ver **Figura 10**. Apriete los dos tornillos a 132 lb-pulg. (15 N·m).

NOTA: Se incluye con el kit de accesorios del brazo directo un adaptador de poste redondo. El adaptador funciona con postes redondos que tengan un diámetro de 4" (102 mm) a 5" (127 mm). Para utilizar el adaptador, posicione el adaptador entre la mitad inferior del brazo y el poste (radio del adaptador hacia el poste) cuando acople el brazo al poste. Ver **Figura 10**.

PASO 11:

Pase el extremo libre del cable de la parte superior del brazo por el orificio central de la parte inferior del brazo y en el poste. Ver **Figura 10**.

NOTA: Al pasar el cable por el orificio de la parte inferior del brazo, asegúrese de que el cable pase por encima del tope horizontal de la parte inferior del brazo.

PASO 12:

Posicione la parte superior del brazo directo que está acoplada al brazo extensible y al cabezal de la luminaria en la parte inferior del brazo directo.

PASO 13:

Vuelva a colocar los (2) tornillos de 1/4-20 que se retiraron de la parte superior del brazo. Apriete los tornillos a 72 lb-pulg. (8 N·m).

PASO 14:

Vuelva a colocar la cubierta del brazo y el tornillo de retención. Apriete el tornillo a 72 lb-pulg. (8 N·m).

PASO 15:

Haga las conexiones dentro del compartimiento del cableado de acuerdo con las instrucciones de la sección **Conexiones eléctricas**.

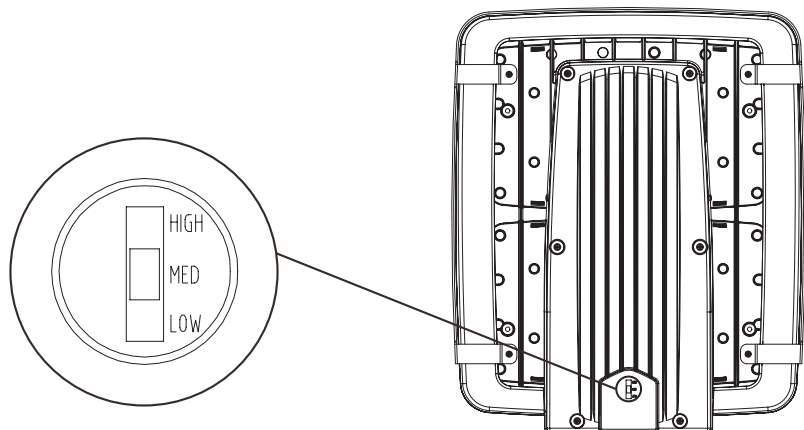
PASO 16:

Instale la fotocelda de bloqueo giratorio.

PASO 17:

Vuelva a colocar la tapa del poste.

13



AJUSTE DE POTENCIA

Este producto se puede ajustar la potencia de 50 W, 60 W o 75 W ajustando el interruptor de tres posiciones ubicado en la parte trasera de la unidad. Ver **Figura 13**.

FCC

PRECAUCIÓN: Los cambios o modificaciones que no se autoricen expresamente podrían invalidar la garantía del equipo.

Este dispositivo cumple con la Sección 15 de las normas de la FCC. El funcionamiento está supeditado a las dos condiciones siguientes: (1) Este dispositivo no debe causar interferencias dañinas y (2) este dispositivo debe aceptar cualquier interferencia recibida, incluidas aquellas que puedan causar un uso indeseado.

Se ha probado este equipo y cumple con los límites especificados para dispositivos digitales de Clase A, según el Apartado 15 de las normas de la FCC. Estos límites se diseñaron a fin de brindar una protección razonable contra interferencias perjudiciales en instalaciones comerciales. Este equipo genera, usa y puede radiar energía de radiofrecuencia y, si no se instala y utiliza de acuerdo con las instrucciones, puede producir interferencias en las comunicaciones de radio. Es probable que el uso de este equipo en un área residencial cause interferencias perjudiciales, en cuyo caso el usuario deberá corregir dicha interferencia por su propia cuenta.

CAN ICES-005 (A)/NMB-005 (A)

CONEXIONES ELÉCTRICAS

PASO 1:

Realice las siguientes conexiones eléctricas al cable de alimentación:

- Para 120 V /277 V /347 V: conecte el cable negro de la luminaria al cable de alimentación de voltaje o vivo 1 (para cableado de 208 V /240 V /480 V).
- Para 120 V /277 V /347V: conecte el cable blanco de la luminaria al cable de alimentación neutro o vivo 2 (para cableado de 208 V /240 V /480 V).
- Conecte el cable de conexión a tierra de la luminaria (verde o verde/amarillo) al cable de conexión a tierra del suministro.
- Si se va a usar atenuación, conecte el cable positivo morado de atenuación al cable positivo de atenuación del suministro. Cubra el cable morado si no se va a utilizar un atenuador.
- Si se va a usar atenuación, conecte el cable negativo gris o rosa de atenuación al cable negativo de atenuación del suministro. Cubra el cable gris o rosa si no se va a utilizar un atenuador.
- NOTA:** Para conexiones de atenuación, use métodos de cableado de clase 1 únicamente.

