

C-TR-B-BT24-SCCT Series

LED Basket Troffer w/ Field Selectable CCT & Lumens | 2' x 4' | 2-Pack
Replaces up to 4 x F32T8



SELECT YOUR SAVINGS

With our 2-packs of Field Selectable LED Basket Troffers, enjoy the added protection vs. single unit packaging. Easily switch between color temperatures (3500K, 4000K, and 5000K) and lumen packages. The 2' x 4' size delivers up to either 4250 lumens (S42L) or 5700 lumens (S56L), is cULus Listed and have a drywall grid adapter available as an accessory (sold separately). Need an Emergency Battery Backup option? We have that as an option too. Included 5-year limited warranty.



PRODUCT SPECIFICATIONS

OVERVIEW

- Initial Delivered Lumens: Field Selectable (**56L**: 5700/4850/4450 or **42L**: 4250/3800/3225)
- CRI: ≥ 80
- CCT: Field Selectable Color Temp (3500K/4000K/5000K)
- Input Power: **56L**: (45W/38W/34W), **42L**: (34W/30W/25W)
- Dimmable: 0-10v dimming with dimming leads available for use in the field
- Operating Temperature Range: -4°F to 104°F (-20°C to 40°C)
- Power Factor: > 0.9 at full load
- Total Harmonic Distortion: < 20% at full load
- Limited Warranty: 5-Year*
- Estimated L₇₀ Lifetime @ 25°C: > 100,000 hours
- Replaces up to 4 x F32T8

FEATURES	RECOMMENDED USE	INPUT VOLTAGE
<ul style="list-style-type: none"> Lumen selectable: (56L: 5700/4850/4450) or 42L: (4250/3800/3225) CCT (Color temperature) selectable 3500K/4000K/5000K FCC Part 15, Subpart B, Class A limits for conducted and radiated emissions 	<ul style="list-style-type: none"> Education Retail Commercial 	<ul style="list-style-type: none"> Universal (120V through 277V Operation) *120-347V available

ORDERING INFORMATION

Example: C-TR-B-BT24-S56L-SCCT-UL-WH-EB-2

C-TR	B	BT24		SCCT		WH		2
PRODUCT	SERIES	STYLE	FIELD SELECTABLE LUMEN PACKAGE	FIELD SELECTABLE CCT & WATTAGE	VOLTAGE	HOUSING COLOR	EMERGENCY BACKUP OPTION	CASE PACK QTY
C-TR	B	BT24 Basket Troffer, 2'X4'	S56L 5700 Lumens (45W)* 4850 Lumens (38W) 4450 Lumens (34W) S42L 4250 Lumens (34W)* 3800 Lumens (30W) 3225 Lumens (25W)	SCCT Selectable CCT (Color Temperature) 3500K 4000K* 5000K	UL Universal 120-277V UC *120-347V Operation. Available only with S50L lumen package	WH White	[Blank] w/out Emergency backup option EB Emergency Backup - Available only with UL voltage. - Provides 90 minutes of emergency operation with 1000 lumens.	2 2-Pack Product not available as single unit.

* Default settings at time of shipping are 5000 lumens (S50L) or 3750 lumens (S37L) and 4000K. *UC voltage for Canada only.

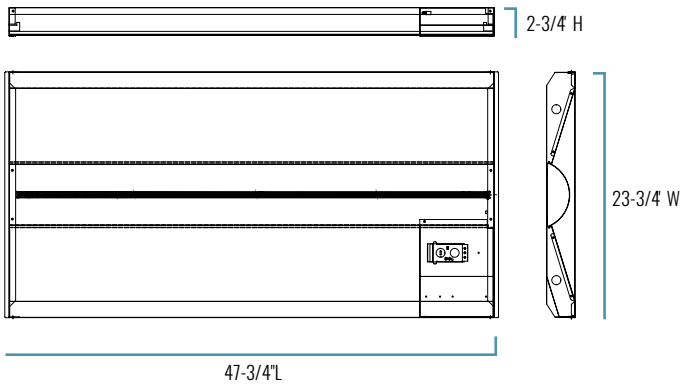
©2025 Cree Lighting USA LLC. All rights reserved. For informational purposes only. Content is subject to change. Patent www.creelighting.com/patents. C-Lite and the C-Lite logo are registered trademarks of Cree Lighting. The cULus logo is a registered trademark of UL LLC. The DLC QPL logo and the DLC QPL Premium logo are registered trademarks of Northeast Efficiency Partnerships, Inc.

CERTIFICATIONS:

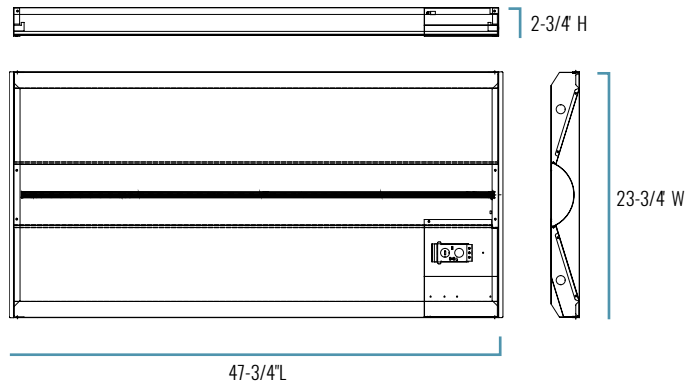


C-TR-B-BT24-SCCT Series

w/out EB



w/EB



SERIES OVERVIEW

DIMENSIONS	PRODUCT WEIGHT	MOUNTING HEIGHT	SPACING
(w/out EB): 47-3/4"L x 23-3/4"W x 2-3/4"H	12.54 lbs.	8-12 Feet	8'x 8' – 10'x 10'
(w/EB): 47-3/4"L x 23-3/4"W x 2-3/4"H	13.64 lbs.	8-12 Feet	8'x 8' – 10'x 10'

FIXTURE SPECIFICATIONS

HOUSING	Steel construction, white polyester powder-coat
LENS ASSEMBLY	Flexible polycarbonate lens
MOUNTING	Recessed, Installs into conventional grid ceilings, optional surface mount kit

ELECTRICAL PERFORMANCE

OPERATING TEMPERATURE RANGE	ESTIMATED L70 LIFETIME @ 25°C (77°F)	POWER FACTOR	TOTAL HARMONIC DISTORTION
-4°F to 104°F (-20°C to 40°C)	> 100,000 Hours	>0.9 at full load	<20% at full load

LUMEN PACKAGE	INITIAL DELIVERED LUMENS (35K/40K/50K)	SYSTEM WATTS (120-277V AND 120-347V)	CURRENT DRAW (AMPS)				
			120V	208V	240V	277V	347V
S56L	5700*	45W	0.38	0.22	0.19	0.16	0.13
	4850	38W	0.32	0.18	0.16	0.14	0.11
	4450	34W	0.28	0.16	0.14	0.12	0.10
S42L	4250*	34W	0.28	0.16	0.14	0.12	N/A
	3800	30W	0.25	0.14	0.13	0.11	N/A
	3225	25W	0.21	0.12	0.10	0.09	N/A

* Default settings at time of shipping are 5700 lumens (S56L) or 4250 lumens (S42L) and 4000K.

 **CA RESIDENTS WARNING:** Cancer and Reproductive Harm – www.p65warnings.ca.gov

©2025 Cree Lighting USA LLC. All rights reserved. For informational purposes only. Content is subject to change. Patent www.creelighting.com/ patents. C-Lite and the C-Lite logo are registered trademarks of Cree Lighting. The cULus logo is a registered trademark of UL LLC. The DLC QPL logo and the DLC QPL Premium logo are registered trademarks of Northeast Efficiency Partnerships, Inc.

Rev. Date: 02/12/2025

For informational purposes only. Content is subject to change. *See lighting.cree.com/warranty for details


C-LITE
LED LIGHTING

C-TR-B-BT24-SCCT Series

WARRANTY AND CERTIFICATIONS

WARRANTY	cULus LISTED	DLC
5 Year Limited*	Damp Locations	Premium

ACCESSORIES

	DRYWALL GRID ADAPTER
	<p>SKU: DGA24-WHT (single unit) DGA24-WHT-10PK (10-pack) USE: For use when mounting in drywall ceilings.</p>

©2025 Cree Lighting USA LLC. All rights reserved. For informational purposes only. Content is subject to change. Patent www.creelighting.com/patents. C-Lite and the C-Lite logo are registered trademarks of Cree Lighting. The cULus logo is a registered trademark of UL LLC. The DLC QPL logo and the DLC QPL Premium logo are registered trademarks of Northeast Efficiency Partnerships, Inc.

US: creelighting.com, e-conolight.com

Distribution/Sales: 855-617-2733 Customer Service: 888-243-9445

Rev. Date: 02/12/2025

For informational purposes only. Content is subject to change. *See lighting.cree.com/warranty for details

C-LITE
LED LIGHTING