

C-EE-B-EMG-2L-BB Series

LED Low-Profile Emergency Light with Two Adjustable Heads



THE EMERGENCY LIGHT THAT WON'T LEAVE YOU IN THE DARK

Our UL listed LED Low-Profile Emergency Light features self-test, and remote capable options. It comes equipped with a quick-connect back plate to make installation quick and easy. With flexible options to meet your application needs and mounting hardware included, this fixture offers stress-free and seamless installation from start to finish. Backed by our 5-year warranty.



PRODUCT SPECIFICATIONS

OVERVIEW

- Input Power: 1W (Remote capable) .7W (Standard)
- Finish Color: Black or White
- Operating Temperature Range: 32°F to 122°F (0°C to 50°C)
- Battery Backup: Yes
- Limited Warranty: 5 Years
- UL Listed for damp locations
- Certified to CEC under title 20 regulations
- Remote capable can accommodate 2.5W
- Self-test diagnostics option available

FEATURES	RECOMMENDED USE	INPUT VOLTAGE
<ul style="list-style-type: none"> • Provides 90 minutes of emergency egress lighting • Delivers 154 total lumens - 77 per head • Quick connect back plate fits most standard junction boxes 	<ul style="list-style-type: none"> • General purpose emergency lighting • Indoor commercial, retail & industrial applications 	<ul style="list-style-type: none"> • (120V or 277V Operation)

ORDERING INFORMATION

Example SKU: C-EE-B-EMG-2L-BB-REM-ST-WH

C-EE	B	EMG	2L	BB			
PRODUCT	SERIES	TYPE	LUMEN PACKAGE	BATTERY	REM OPTION	SELF-TEST OPTION	COLOR
C-EE	B	EMG LED Emergency Light	2L Two LED Heads	BB Battery Backup	[Blank] Not Remote Capable REM Remote Capability (3.6V)*	[Blank] Manual Test ST Self-Test Diagnostics	WH White BK Black

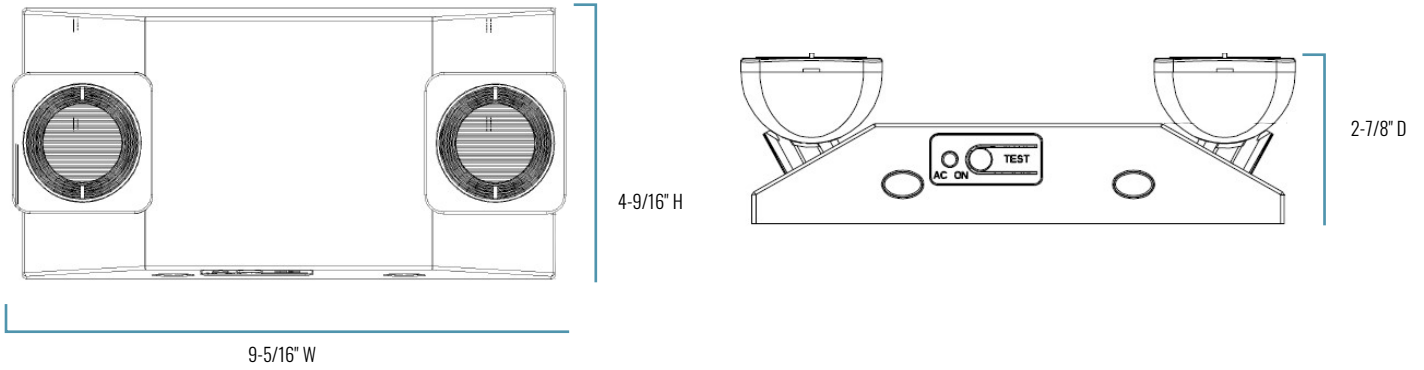
*Remote capable fixtures will run up to 2 single remote heads or one double head (2.5W max)

CERTIFICATIONS:



*On all Exit & Emergency fixtures with nickel cadmium batteries.

C-EE-B-EMG-2L-BB Series



SERIES OVERVIEW

DIMENSIONS	PRODUCT WEIGHT	MOUNTING HEIGHT
9-5/16" L x 4-9/16" H x 2-7/8 D	1.0 lbs. 1.2 lbs. (Remote Capable)	10 ft. (Maximum)

FIXTURE SPECIFICATIONS

MATERIALS	Injection-molded, 5VA flame retardant thermoplastic housing
MOUNTING	Quick-connect back plate makes surface mounting to standard junction box easy Snaps into place making internal electrical connections Top knockout for conduit applications Suitable for wall mount
INCLUDES	Two adjustable 1.5W LED lamp heads Sealed, 3.6V maintenance-free nickel cadmium battery backup (Minimum 90 minute emergency illumination) Charge/power on LED indicator (battery recharges within 24 hours via internal solid state, two rate charger) Push to test switch for non-self-test units

ELECTRICAL PERFORMANCE

OPERATING TEMPERATURE RANGE
32°F to 122°F (0°C to 50°C)





WARRANTY AND CERTIFICATIONS

WARRANTY	UL LISTED
5-Year Limited	Damp Locations

C-EE-B-EMG-2L-BB Series

ACCESSORIES

	1W SINGLE REMOTE HEAD - WHITE
	SKU: C-EE-A-EMG-1L-REM-WH USE: Damp Listed
	1W SINGLE REMOTE HEAD - GRAY
	SKU: C-EE-A-EMG-1L-REM-WET-GR USE: Wet Listed
	1W DOUBLE REMOTE HEAD - 2W TOTAL - WHITE
	SKU: C-EE-A-EMG-2L-REM-WH USE: Damp Listed
	1W DOUBLE REMOTE HEAD- 2W TOTAL -GRAY
	SKU: C-EE-A-EMG-2L-REM-WET-GR USE: Wet Listed

	SELF-TEST 1W SINGLE REMOTE HEAD - WHITE
	SKU: C-EE-A-EMG-1L-REM-ST-WH USE: Damp Listed, for use with self-test fixtures only
	SELF-TEST 1W SINGLE REMOTE HEAD - GRAY
	SKU: C-EE-A-EMG-1L-REM-WET-ST-GR USE: Wet Listed, for use with self-test fixtures only.
	SELF-TEST 1W DOUBLE REMOTE HEAD - 2W TOTAL - WHITE
	SKU: C-EE-A-EMG-2L-REM-ST-WH USE: Damp Listed, for use with self-test fixtures only.
	SELF-TEST 1W DOUBLE REMOTE HEAD- 2W TOTAL -GRAY
	SKU: C-EE-A-EMG-2L-REM-WET-ST-GR USE: Wet Listed, for use with self-test fixtures only.

©2024 Cree Lighting USA LLC. All rights reserved. For informational purposes only. Content is subject to change. Patent www.creelighting.com/patents. C-Lite and the C-Lite logo are registered trademarks of Cree Lighting. The UL logo is a registered trademark of UL LLC.