

C-BD-A-BP-SCCT Series

Round & Square LED Bollard/Pathway Lights | Field Selectable CCT & Wattage

Replaces up to 100W PSMH



ELEVATE SECURITY WITHOUT COMPROMISING STYLE

Enhance both security and aesthetics with our C-BD-A-BP-SCCT Series LED Bollards/Pathway Lights, designed to meet the diverse needs of modern landscapes. This high-quality series of LED pathway lighting offers a wide range of applications, from illuminating walkways to safeguarding restricted areas with up to 3000 lumens, all while giving off a captivating blend of form and function. Available in both square and round shapes, dome top and louvered options, CCT and wattage selectable options, these bollard/pathway lights seamlessly integrate into various architectural styles, adding a touch of sophistication to any environment and lighting the way with low maintenance.



PRODUCT SPECIFICATIONS

OVERVIEW

- Initial Delivered Lumens: Up to 3000 Lumens
- CRI: 80+
- CCT Selectable: 3000K, 4000K or 5000K
- Wattage Selectable: 24W, 18W or 14W
- Dimmable: 0-10v dimming with dimming leads available for use in the field
- Estimated L70 Lifetime @ 25°C: > 100,000 hours
- Power Factor: ≥0.9 at full load
- Total Harmonic Distortion: < 20% at full load
- Limited Warranty: 5-year
- Replaces: 100W PSMH, 50W PSMH (Louvered option)
- Bronze or Black finish options

FEATURES	RECOMMENDED USE	INPUT VOLTAGE
<ul style="list-style-type: none"> • Selectable CCT (color temperature): 3000K, 4000K or 5000K • Selectable Wattage: 24W, 18W or 14W • Distribution pattern: Type V - circular, all around 360° coverage • 80+ CRI for high quality lighting • IP65 Rated • FCC Part 15, Subpart B, Class A limits for conducted and radiated emissions • Dome top style: louver available for an aesthetically pleasing and diffused look 	<ul style="list-style-type: none"> • Entryways • General Area Lighting • Pathways • Walkways 	<ul style="list-style-type: none"> • Universal (120V - 277V)

ORDERING INFORMATION

Example SKU: C-BD-A-BPSQ-S3L-SCCT-UL-BZ

C-BD	A				SCCT	UL		
PRODUCT	SERIES	STYLE	DOME TOP OPTION	LUMEN PACKAGE	FIELD SELECTABLE CCT	VOLTAGE	HOUSING COLOR	LOUVER OPTION
C-BD	A	BPSQ Square BPRD Round	DOME With dome top (only available with round style option)	S3L Up to 3000 lumens (24W, 18W or 14W) S2L Up to 1700 lumens (24W, 18W or 14W) Note: S2L is only available on dome top louvered version.	SCCT Selectable CCT (Color Temperature) 3000K 4000K* 5000K	UL Universal (120 - 277V)	BK Black BZ Bronze	LVR With louver (Only available in round dome top) [BLANK] No louver

*Default settings at time of shipping are highest product wattage and 4000K.

CA RESIDENTS WARNING: Cancer and Reproductive Harm – www.p65warnings.ca.gov

CERTIFICATIONS:

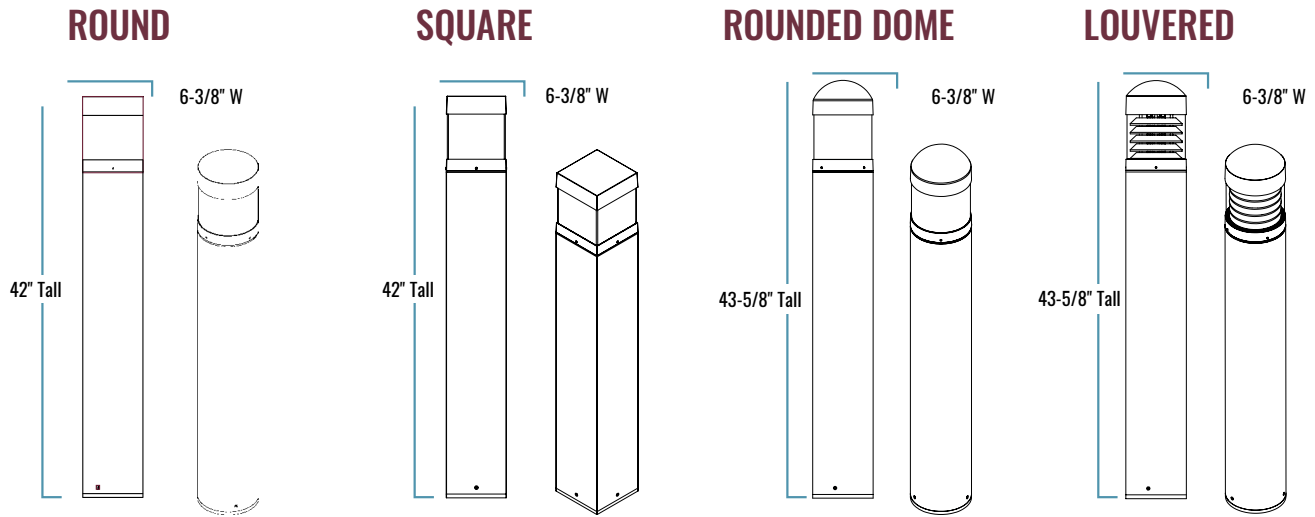


©2025 Cree Lighting USA LLC. All rights reserved. For informational purposes only. Content is subject to change. Patent www.creelighting.com/patents. C-Lite and the C-Lite logo are registered trademarks of Cree Lighting. Due to continuous product improvement, information in this document is subject to change. The cULus logo is a registered trademark of UL LLC. The DLC QPL logo and the DLC QPL Premium logo are registered trademarks of Efficiency Forward, Inc.

Rev. Date: 02/07/2025

For informational purposes only. Content is subject to change.

C-BD-A-BP-SCCT Series



SERIES OVERVIEW

DIMENSIONS	PRODUCT WEIGHT	MOUNTING HEIGHT	SPACING
42" Tall x 6-3/8" W 43-5/8" Tall x 6-3/8" W (dome top)	12 lbs. (Round) 15 lbs. (Square)	0 to 10 feet	Up to 40-feet to hit minimum security light levels

FIXTURE SPECIFICATIONS

HOUSING	Die-cast aluminum housing with bronze or black powder coated finish.
LENS ASSEMBLY	High impact polycarbonate lens on all styles. Louver lens reflector option available in the round dome top fixtures for an aesthetically pleasing and diffused look.
MOUNTING	Easy install using supplied anchor bolts (Round is a 3 bolt system, square is a 4 bolt system) and templates.

C-BD-A-BP-SCCT Series

LUMINAIRE AND ELECTRICAL PERFORMANCE

OPERATING TEMPERATURE RANGE	ESTIMATED L ₇₀ LIFETIME @ 25°C (77°F)	POWER FACTOR	TOTAL HARMONIC DISTORTION
-40°F to 104°F (-40°C to 40°C)	>100,000 Hours	≥0.9 at full load	< 20% at full load

LUMEN PACKAGE	INITIAL DELIVERED LUMENS*						SYSTEM WATTS	CURRENT DRAW (AMPS)			
	3000K	BUG RATINGS** ROUND BOLLARD	BUG RATINGS** SQUARE BOLLARD	4000K/ 5000K	BUG RATINGS** ROUND BOLLARD	BUG RATINGS** SQUARE BOLLARD		120V	208V	240V	277V
S2L	905	B1-U3-G2	B1-U3-G2	973	B1-U3-G1	B1-U3-G2	14	0.11	0.06	0.05	0.05
	1263	B1-U3-G2	B1-U3-G2	1351	B1-U3-G1	B1-U3-G2	18	0.15	0.09	0.08	0.06
	1573	B1-U3-G2	B1-U3-G2	1692	B1-U3-G2	B1-U3-G2	24	0.19	0.11	0.09	0.08
S3L	1700	B1-U2-G1	B1-U3-G1	1950	B1-U3-G1	B1-U3-G1	14	0.12A	0.07A	0.06A	0.05A
	2300	B1-U3-G1	B1-U3-G1	2500	B1-U3-G1	B1-U3-G2	18	0.15A	0.09A	0.08A	0.06A
	2900	B1-U3-G2	B1-U3-G2	3000	B1-U3-G2	B1-U3-G2	24	0.19A	0.11A	0.09A	0.08A

* Default settings at time of shipping are highest product wattage and 4000K.

** For more information on the IES BUG (Backlight-Uplight-Glare) Rating visit: <https://www.ies.org/wp-content/uploads/2017/03/TM-15-11BUGRatingsAddendum.pdf>. Valid with no tilt.

WARRANTY AND CERTIFICATIONS

WARRANTY	cULus LISTED	DLC	DIMMING
5-Year Limited*	Wet Locations (Designed for outdoor use)	Premium 5.1 (*Excludes Louvered version) <small>Refer to https://www.designlights.org/search/ for most current information.</small>	0-10v dimming with dimming leads available for use in the field

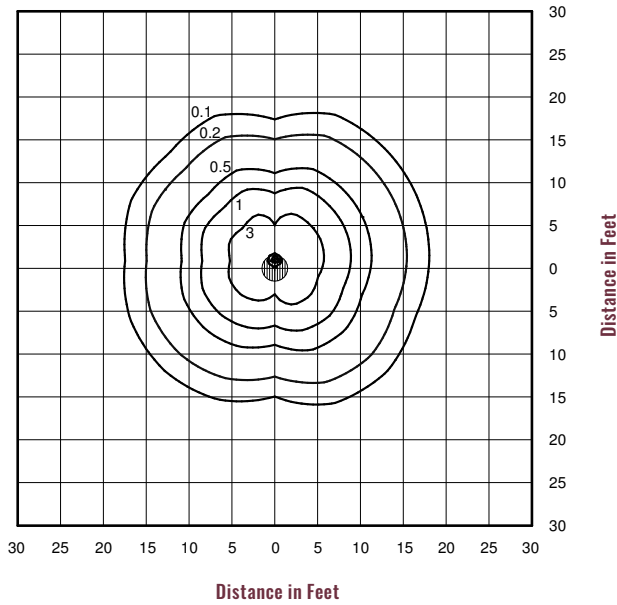
©2025 Cree Lighting USA LLC. All rights reserved. For informational purposes only. Content is subject to change.
 Patent www.creelighting.com/patents. C-Lite and the C-Lite logo are registered trademarks of Cree Lighting. Due to continuous product improvement, information in this document is subject to change. The cULus logo is a registered trademark of UL LLC. The DLC QPL logo and the DLC QPL Premium logo are registered trademarks of Efficiency Forward, Inc.

C-BD-A-BP-SCCT Series

ISO PLOT CHART

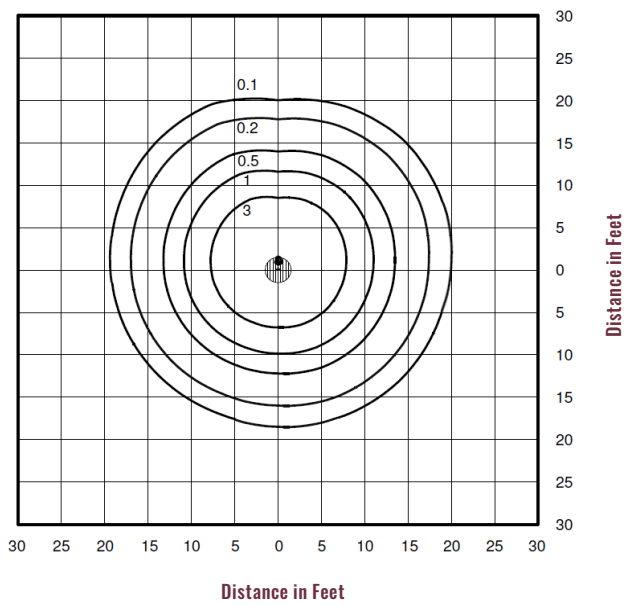
C-BD-A-BPRD-DOME-S2L-SCCT_24W_5000K (W/LOUVER)

Mounting Height: 42"



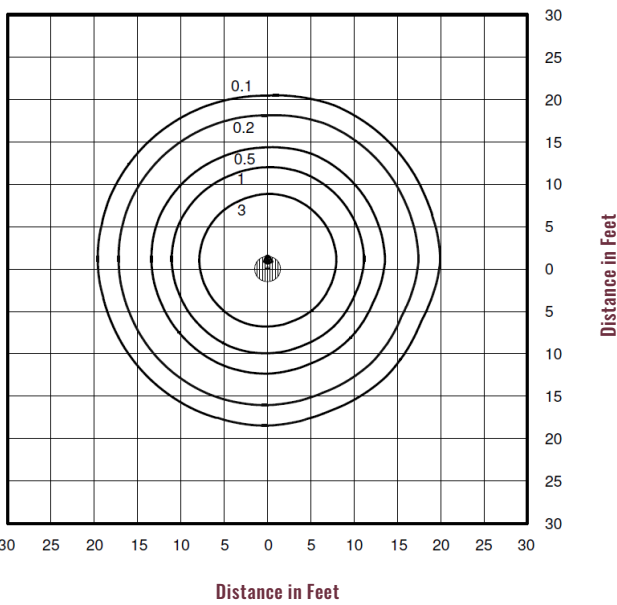
C-BD-A-BPRD-DOME-S3L-SCCT_24W_5000K

Mounting Height: 42"



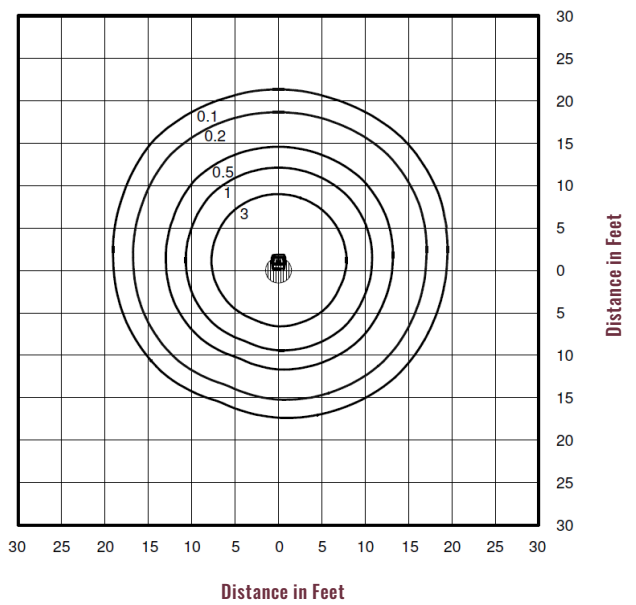
C-BD-A-BPRD-S3L-SCCT_24W_5000K

Mounting Height: 42"



C-BD-A-BPSQ-S3L-SCCT_24W_5000K

Mounting Height: 42"



©2025 Cree Lighting USA LLC. All rights reserved. For informational purposes only. Content is subject to change. Patent www.creelighting.com/patents. C-Lite and the C-Lite logo are registered trademarks of Cree Lighting. Due to continuous product improvement, information in this document is subject to change. The cULus logo is a registered trademark of UL LLC. The DLC QPL logo and the DLC QPL Premium logo are registered trademarks of Efficiency Forward, Inc.