

# C-AR-A-PTA Series

Post Top LED Area Light w/ Photocell | Field Selectable CCT & Wattage

Replaces up to 400W PSMH



## BEHOLD: A STYLISH AND MODERN LOOK FOR YOUR OUTDOOR SPACES

Our Post Top LED Area Light will have heads turning. Not only does it add a unique flair to our area light line-up - it's also really easy to install and comes with a photocell. Save money on energy and get onto your next install that much faster. It delivers up to 19,400 lumens, cULus Listed, field selectable CCT & wattage and 5-year limited warranty. See the details below and stock up today.



## PRODUCT SPECIFICATIONS

### OVERVIEW

- Initial Delivered Lumens: Up to 9710 Lumens (**S9L**), Up to 19,400 Lumens (**S19L**)
- CRI: ≥ 80
- CCT: Field selectable: 3000K, 4000K or 5000K
- Max Input Power: 80W (**S9L**), 160W (**S19L**)
- Estimated L<sub>70</sub> Lifetime @ 25°C: > 100,000 hours
- Power Factor: > 0.9 at full load
- Total Harmonic Distortion: < 20% at full load
- Limited Warranty: 5 Years\*
- Replaces 320W MH (**S9L**), 400W MH (**S19L**)

FEATURES	RECOMMENDED USE	INPUT VOLTAGE
<ul style="list-style-type: none"> <li>• Easy access switch to change wattage and CCT</li> <li>• Corrosion resistant heavy duty die cast aluminum</li> <li>• Comes with factory installed photocell with bypass switch</li> <li>• Cooling channels allow for vertical airflow</li> </ul>	<ul style="list-style-type: none"> <li>• Parking Lot</li> <li>• Pathways &amp; walkways</li> <li>• Shopping centers</li> </ul>	<ul style="list-style-type: none"> <li>• Universal (120V - 277V)</li> </ul>

### ORDERING INFORMATION

Example SKU: C-AR-A-PTA-S9L-SCCT-UL-BZ-P

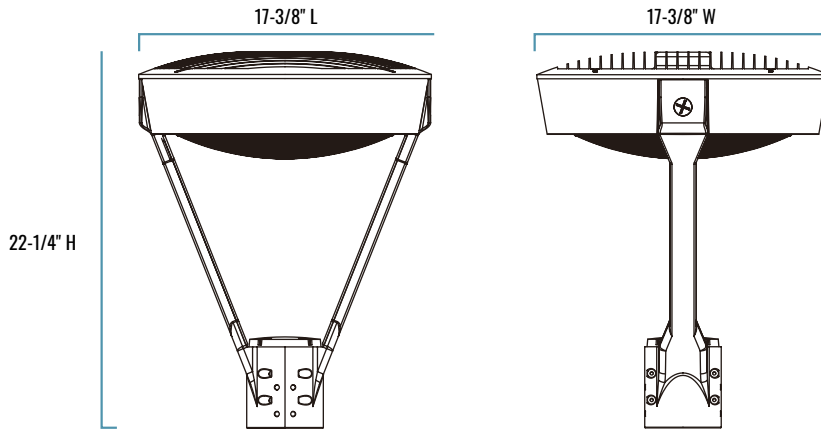
C-AR	A	PTA		SCCT	UL	BZ	P
PRODUCT	SERIES	TYPE	LUMEN PACKAGE*	FIELD SELECTABLE CCT	VOLTAGE	HOUSING COLOR	PHOTOCELL
C-AR	A	PTA Post Top LED Area Light	<b>S9L</b> Up to 9710 Lumens <b>S19L</b> Up to 19,400 Lumens	<b>SCCT</b> Warm White (3000K) Neutral White (4000K)* Cool White (5000K)	<b>UL</b> Universal (120V - 277V)	<b>BZ</b> Bronze	<b>P</b> Photocell

\*Default settings at time of shipping are highest product wattage and 4000K.

### CERTIFICATIONS:



# C-AR-A-PTA Series



## SERIES OVERVIEW

DIMENSIONS	PRODUCT WEIGHT	MOUNTING HEIGHT
17-3/8" L x 17-3/8" W x 22-1/4" H	21.12 lbs.	15 to 25 feet

## FIXTURE SPECIFICATIONS

<b>HOUSING</b>	Bronze, corrosion resistant heavy duty die-cast aluminum
<b>LENS ASSEMBLY</b>	UV stabilized polycarbonate optic lens
<b>MOUNTING</b>	Included with standard 3" post top opening with for 2-3/8" tenon mounting

## LUMINAIRE AND ELECTRICAL PERFORMANCE

OPERATING TEMPERATURE RANGE	ESTIMATED L <sub>70</sub> LIFETIME @ 25°C (77°F)	POWER FACTOR	TOTAL HARMONIC DISTORTION
-40°F to 104°F (-40°C to 40°C)	> 100,000 hours	≥0.9 at full load	< 20% at full load

# C-AR-A-PTA Series

LUMEN PACKAGE	INITIAL DELIVERED LUMENS*				SYSTEM WATTS	CURRENT DRAW (AMPS)			
	3000K	BUG RATINGS** PER TM-15-20	4000K	5000K		120V	208V	240V	277V
S9L	9258	B2-U0-G2	9710	9567	80	0.67A	0.38A	0.33A	0.29A
	7013	B2-U0-G2	7556	7274	60	0.50A	0.29A	0.25A	0.22A
	5260	B1-U0-G1	5667	5456	45	0.38A	0.22A	0.19A	0.16A
S19L	18,547	B3-U0-G3	19,400	19,220	160	0.33A	0.77A	0.67A	0.58A
	14,569	B2-U0-G2	15,721	15,125	125	1.04A	0.60A	0.52A	0.45A
	11,655	B2-U0-G2	12,577	12,100	100	0.83A	0.48A	0.42A	0.36A

\* Default settings at time of shipping are highest product wattage and 4000K.

\*\* For more information on the IES BUG (Backlight-Uplight-Glare) Rating visit: <https://www.ies.org/wp-content/uploads/2017/03/TM-15-11BUGRatingsAddendum.pdf>. Valid with no tilt.

## WARRANTY AND CERTIFICATIONS

WARRANTY	cULus LISTED	DLC
5-Year Limited*	Wet Locations	—

© 2025 Cree Lighting USA LLC. All rights reserved. For informational purposes only. Content is subject to change.  
 Patent [www.creelighting.com/patents](http://www.creelighting.com/patents). C-Lite and the C-Lite logo are registered trademarks of Cree Lighting. Due to continuous product improvement, information in this document is subject to change. The cULus logo is a registered trademark of UL LLC.

US: [creelighting.com](http://creelighting.com), [e-conolight.com](http://e-conolight.com)

Distribution/Sales: 855-617-2733 Customer Service: 888-243-9445

Rev. Date: 01/08/2025

For informational purposes only. Content is subject to change. \*See [creelighting.com/resources/warranties](http://creelighting.com/resources/warranties)

