

C-DL6-A Series

Premium LED 6" Downlight

Replaces 65W Incandescent



Premium LED downlights providing the best combination of performance and value for both residential and commercial applications. These fixtures at 8.6W input offer 75 LPW with 90 CRI color rendering. Easy to install, these downlights are suitable for use in most standard 5" and 6" housings, and includes ideal adapter with separate E26 connector.



PRODUCT SPECIFICATIONS

OVERVIEW

- Initial Delivered Lumens: 650
- CRI: ≥ 90
- CCT: Soft White 3000K, Neutral White 4000K
- Input Power: 8.6 Watts
- Dimmable: Yes
- Distribution: 110° Flood
- Meets CA Title 20 Requirements
- Operating Range: -25°C (-13°F)
- Lifespan: Estimated > 35,000 Hours
- Power Factor: > 0.9
- Total Harmonic Distortion: < 20%
- Limited Warranty: 1-Year*
- Replaces 65W Incandescent

EFFICIENT	DURABLE	RECOMMENDED USE	INPUT VOLTAGE
<ul style="list-style-type: none"> • Up to 75 LPW 	<ul style="list-style-type: none"> • Durable plastic housing protects LEDs and power supply 	<ul style="list-style-type: none"> • New construction/retrofit upgrade for residential and commercial lighting 	<ul style="list-style-type: none"> • 120V

ORDERING INFORMATION

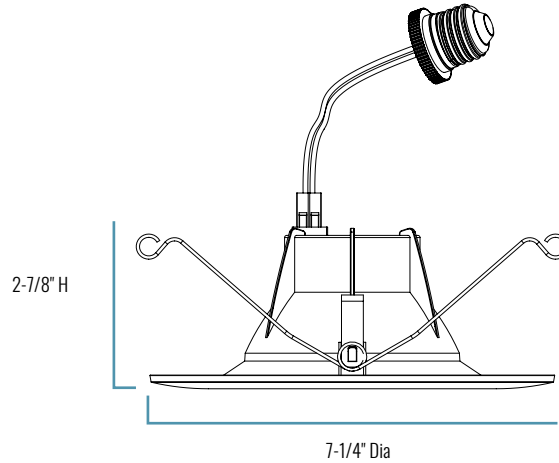
Example SKU: C-DL6-A-650L-30K-B1

PRODUCT	LUMEN PACKAGE	CCT	VOLTAGE	BASE	PACKAGING OPTIONS
C-DL6-A	650L				
C-DL6-A	650L 650 Lumens 8.6W	30K Soft White (3000K) 40K Neutral White (4000K)	Blank 120 Volt	Blank E26 (screw base)	B1 (1) Single Pack 6PK 6-Pack

CERTIFICATIONS:



C-DL6-A Series



SERIES OVERVIEW

DIMENSIONS	PRODUCT WEIGHT	MOUNTING HEIGHT	SPACING
2-7/8" H 7-1/4" Dia (Trim width)	0.5 lbs.	N/A	N/A

FIXTURE SPECIFICATIONS

HOUSING	Durable plastic housing protects LEDs and power supply Suitable for insulated and non-insulated ceilings
LENS ASSEMBLY	Diffusing polycarbonate lens shields direct view of LEDs while lower reflector balances brightness of lens with the ceiling to create a low-glare high angle appearance
MOUNTING	Easy installation with integral clips No tools required E26 Edison base adapter included for ease of incandescent replacement

ELECTRICAL PERFORMANCE

OPERATING MINIMUM	LIFESPAN L_{70} AT 25°C (77°F)	POWER FACTOR	TOTAL HARMONIC DISTORTION	DIMMABLE
32°F to 122°F (0°C to 50°C)	Estimated > 35,000 Hours	> 0.9	< 20%	Yes Dimmable to 10% with select dimmers

INPUT VOLTAGE	120V
CURRENT DRAW (Amps)	0.06A

WARRANTY AND CERTIFICATIONS

WARRANTY	UL LISTED	ENERGY STAR
As of 5/20/26, this is a clearance product and has a 1-year limited warranty. See https://www.creelighting.com/resources/warranties/ for warranty terms	Damp Listed	ENERGY STAR® certified. Please refer to https://www.energystar.gov/productfinder/product/certified-lightfixtures/ results for most current information

CA RESIDENTS WARNING: Cancer and Reproductive Harm – www.p65warnings.ca.gov

©2026 Cree Lighting USA LLC. All rights reserved. For informational purposes only. Content is subject to change. Patent www.creelighting.com/patents. C-Lite® and the C-Lite logo are registered trademarks of Cree Lighting USA LLC. The cULus logo is a registered trademark of UL LLC. ENERGY STAR® and the ENERGY STAR logo are registered trademarks of the U.S. Environmental Protection Agency.

Rev. Date: 05/19/2026

For informational purposes only. Content is subject to change. *See <https://www.creelighting.com/resources/warranties/> for details

C-LITE
LED LIGHTING