

# INSTALLATION INSTRUCTIONS

## C-WR-B-WLIN4-SCCT LED Series

Document:	LPN00601X0001A2_A	Date:	7-26-2021
Created By:	TMT		



7. Select desired wattage and CCT on driver. See **Figure 6**.
8. Reinstall the lens by inserting one end of the lens into either fixture end cap. Gently press down on the center of the lens near the end cap to deflect it about 1", allowing it to clear the limit bracket. Slide the lens as far as possible into the end cap, keeping the lens under the limit bracket. Fit the opposite end of the lens into the fixture. See **Figure 7**.
9. Once the lens is fully fitted in the fixture, slide the lens towards the opposite end of the fixture to lock the lens in place. See **Figure 8**.
10. Supply power to fixture.

### CAUTIONS

#### IMPORTANT SAFEGUARDS

When using electrical equipment, basic safety precautions should always be followed including the following:

#### READ AND FOLLOW ALL SAFETY INSTRUCTIONS

1. **DANGER**- Risk of shock- Disconnect power before installation.  
**DANGER – Risque de choc – Couper l'alimentation avant l'installation.**
2. This luminaire must be installed in accordance with the NEC or your local electrical code. If you are not familiar with these codes and requirements, consult a qualified electrician.  
*Ce produit doit être installé conformément à NEC ou votre code électrique local. Si vous n'êtes pas familier avec ces codes et ces exigences, veuillez contacter un électricien qualifié.*
3. Suitable for damp locations.  
*Convient aux emplacements humides.*

#### SAVE THESE INSTRUCTIONS FOR FUTURE REFERENCE

#### DIRECT MOUNT INSTALLATION

1. Position the fixture on a flat surface, lens side up. See **Figure 1**.
2. Gently press down on the center of the lens near one of the fixture end caps. Deflect the lens approximately 1" to reveal a limit bracket in the end cap. Slide the lens under the limit bracket. This will allow the opposite end of the lens to become free and lift out. See **Figure 2**.
3. Lift the opposite end of the lens and slide the lens out of the fixture. Set the lens aside for later use. See **Figure 3**.
4. Position the fixture in the desired location. Use the fixture as a template to mark the centers of the keyhole slots at both ends of the fixture. Remove the appropriate knockout for entry of supply wiring. See **Figure 4**.
5. Install customer supplied mounting screws appropriate for the mounting surface at the marked locations. Thread the screws into the mounting surface, but stop when the screw heads are approximately 1/4" from the surface. Pass the screw heads through the center holes in the keyholes and slide the fixture until the screws are positioned at one of the ends of the keyholes. Fully tighten the screws. See **Figure 5**.
6. Bring the supply lead into the fixture and wire per the appropriate **Electrical Connections** section.  
**NOTE:** If using the occupancy sensor accessory, please refer to Occupancy Sensor Accessory section for installation and programming of occupancy sensor before proceeding to the Electrical Connection section.

FIGURE 1

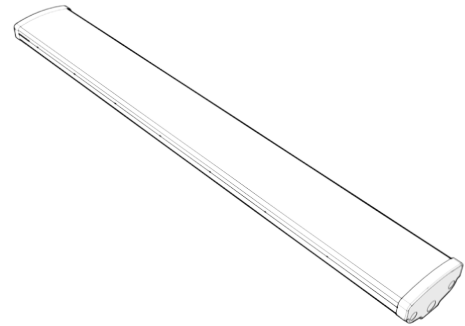


FIGURE 2

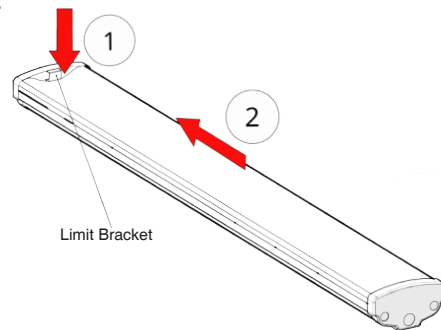


FIGURE 3

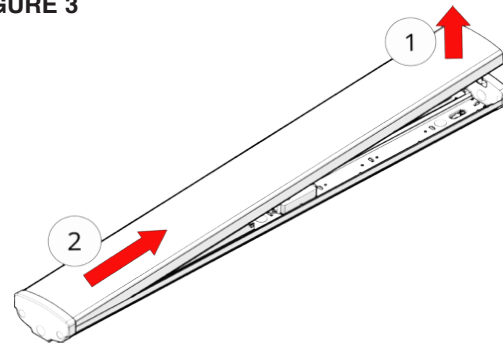
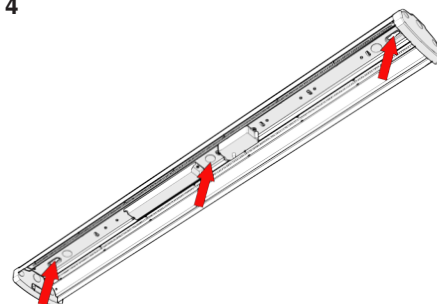


FIGURE 4



# INSTALLATION INSTRUCTIONS

## C-WR-B-WLIN4-SCCT LED Series

### PENDANT MOUNT INSTALLATION

1. Position the fixture on a flat surface, lens side up. See **Figure 1**.
2. Gently press down on the center of the lens near one of the fixture end caps. Deflect the lens approximately 1" to reveal a limit bracket in the end cap. Slide the lens under the limit bracket. This will allow the opposite end of the lens to become free and lift out. See **Figure 2**.
3. Lift the opposite end of the lens and slide the lens out of the fixture. Set the lens aside for later use. See **Figure 3**.
4. Remove the appropriate knockouts at the ends of the fixture for pendant attachment points. See **Figure 9**.
5. Attach customer supplied 1/2" conduit to support the fixture at both ends.  
NOTE: Conduit spacing is 38-7/16" (976 mm) on center.
6. Secure the fixture to the conduit using (2) customer supplied conduit locknuts per conduit location. On each conduit section, one locknut should be positioned on top of the fixture and one inside the fixture. See Figure 10.
7. Route the supply leads through one of the pieces of conduit and into the fixture. Wire the fixture per the appropriate **Electrical Connections** section.  
NOTE: If using the occupancy sensor accessory, please refer to Occupancy Sensor Accessory section for installation and programming of occupancy sensor before proceeding to the Electrical Connection section.
8. Select desired wattage and CCT on driver. See **Figure 6**.
9. Reinstall the lens by inserting one end of the lens into either fixture end caps. Gently press down on the center of the lens near the end cap to deflect it about 1", allowing it to clear the limit bracket. Slide the lens as far as possible into the end cap, keeping the lens under the limit bracket. Fit the opposite end of the lens into the fixture. See **Figure 7**.
10. Once the lens is fully fitted in the fixture, slide the lens towards the opposite end of the fixture to lock the lens in place. See **Figure 8**.
11. Supply power to fixture.

FIGURE 5

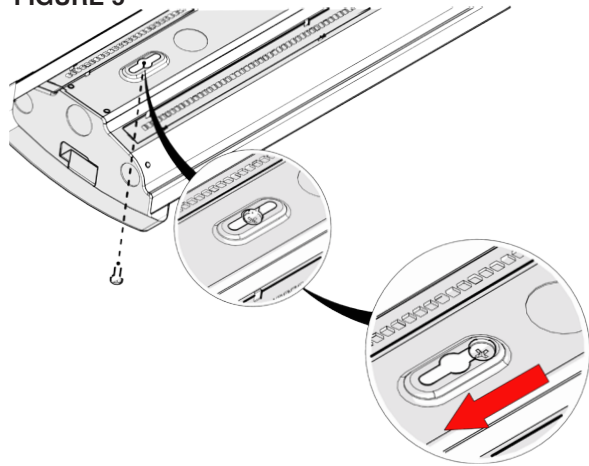


FIGURE 6

LED Driver Wattage Selector		
Switch Position		
HI. <input type="checkbox"/>	ME. <input type="checkbox"/>	LO. <input type="checkbox"/>
43W	30W	15W

LED Driver CCT Selector		
Switch Position		
<input type="checkbox"/>	<input type="checkbox"/>	<input type="checkbox"/>
5000K	4000K	3000K

FIGURE 7

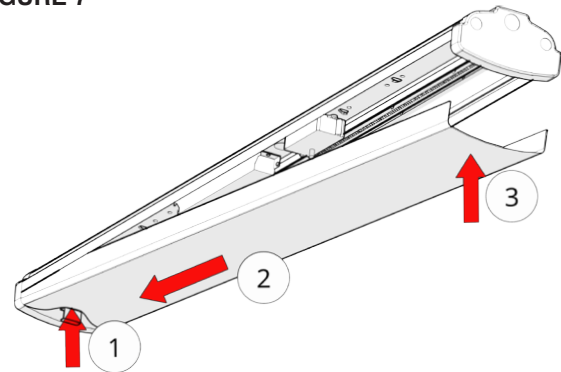
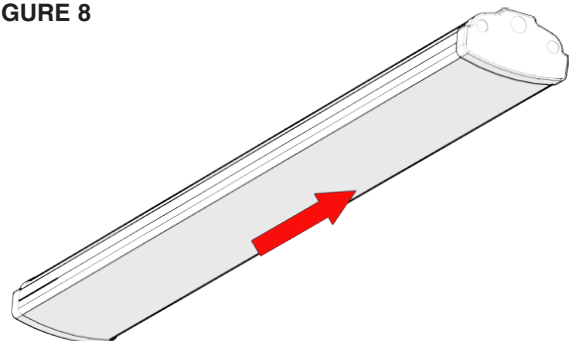


FIGURE 8



### OCCUPANCY SENSOR ACCESSORY (Requires use of C-ACC-MW-L Accessory)

**NOTE:** When the occupancy sensor is used, dimming is controlled by the occupancy sensor.

1. Remove one 1/2" knockout from the end cap at the selected end of the fixture.
2. Mount the sensor to the end cap by passing the sensor wires and threaded nipple through the 1/2" knockout opening. Secure the sensor in place using the conduit nut on the nipple inside the fixture end cap.
3. Refer to instructions included with sensor for setting dip switches to program sensor

# INSTALLATION INSTRUCTIONS C-WR-B-WLIN4-SCCT LED Series

Document:	LPN00601X0001A2_A	Date:	7-26-2021
Created By:	TMT		

FIGURE 9

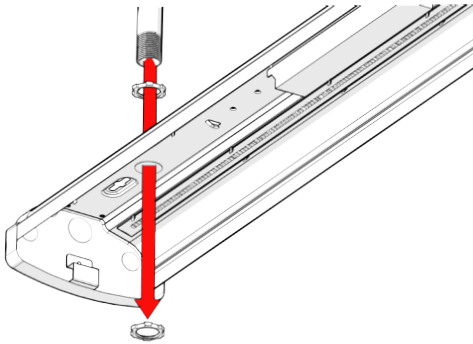
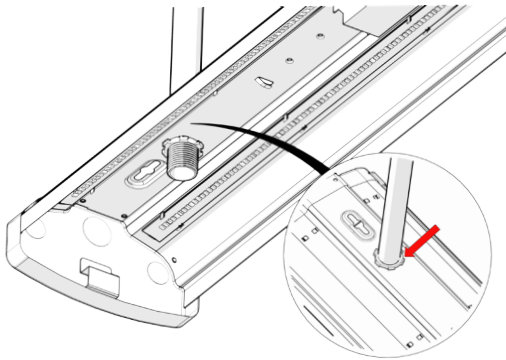


FIGURE 10



## EMERGENCY DRIVER CHECK (For Luminaires Equipped With Emergency Driver)

**NOTE:** Emergency driver and AC driver must be fed from the same branch circuit.

**NOTE:** For short-term testing of the emergency function, the battery must be charged for at least one hour. The emergency driver must be charged for at least 24 hours before conducting a long-term test.

### STEP 1:

When AC power is applied, the charging indicator light is illuminated, indicating the battery is being charged. When power fails, the emergency driver automatically switches to emergency power, operating the LED array. When AC power is restored, the emergency driver returns to the charging mode.

### STEP 2:

Although no routine maintenance is required to keep the emergency driver functional, it should be checked periodically to ensure that it is working. The following schedule is recommended:

- Visually inspect the charging indicator light monthly. It should be illuminated.
- Test the emergency operation of the fixture at 30-day intervals for a minimum of 30 seconds. When the test switch is depressed, the LED array should operate.
- Conduct a 90-minute discharge test once a year. The LED array should operate for at least 90 minutes.

If the fixture fails any of these checks, consult service personnel.

### EM Test Button Status Light Indicator

- Charging - red light on
- EM discharging - red light off
- EM damaged - red light off/red light flashing/fixture flashing
- Test switch button pressed - red light off

REFER ANY SERVICING INDICATED BY THESE CHECKS TO QUALIFIED PERSONNEL

EMERGENCY DRIVER AND AC DRIVER MUST BE FED FROM THE SAME BRANCH CIRCUIT.

## FCC NOTICE

**CAUTION:** Changes or modifications not expressly approved could void your authority to use this equipment.

This device complies with part 15 of the FCC Rules. Operation is subject to the following two conditions: (1) This device may not cause harmful interference, and (2) this device must accept any interference received, including interference that may cause undesired operation.

This equipment has been tested and found to comply with the limits for a Class A digital device, pursuant to part 15 of the FCC Rules. These limits are designed to provide reasonable protection against harmful interference when the equipment is operated in a commercial environment. This equipment generates, uses, and can radiate radio frequency energy and, if not installed and used in accordance with the instruction manual, may cause harmful interference to radio communications. Operation of this equipment in a residential area is likely to cause harmful interference in which case the user will be required to correct the interference at his own expense.  
CAN ICES-005 (A)/NMB-005 (A)

# INSTALLATION INSTRUCTIONS

## C-WR-B-WLIN4-SCCT LED Series

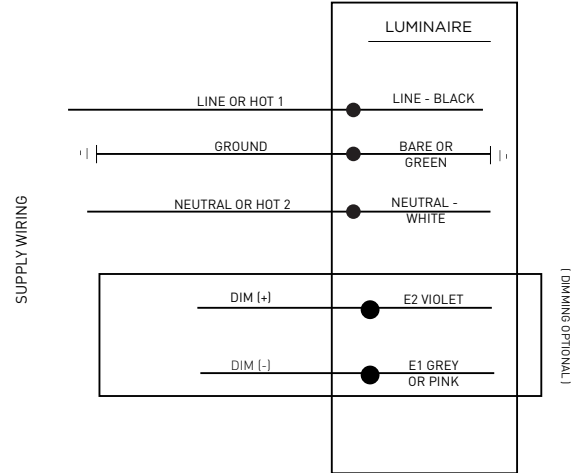
Document: LPN00601X0001A2\_A Date: 7-26-2021  
 Created By: TMT

### ELECTRICAL CONNECTIONS- No Emergency Driver, No Occupancy Sensor

Make the following Electrical Connections:

- Connect the black fixture lead to the voltage supply lead (Hot 1 for 208/240V wiring).
- Connect the white fixture lead to the neutral supply lead (Hot 2 for 208/240V wiring).
- Connect the green ground lead to the supply ground lead.
- If 0/1-10V Dimming is used, connect the violet fixture lead to the supply positive dimming lead. For dimming, use Class 1 wiring methods only. If dimming is not being used ensure to cap off the violet lead.
- If 0/1-10V Dimming is used, connect the grey or pink fixture lead to the supply negative dimming lead. For dimming, use Class 1 wiring methods only. If dimming is not being used ensure to cap off the grey or pink lead.

Tuck all wires carefully into wiring chamber ensuring that no wires are pinched.



### ELECTRICAL CONNECTIONS- Occupancy Sensor, No Emergency Driver

Make the following Electrical Connections:

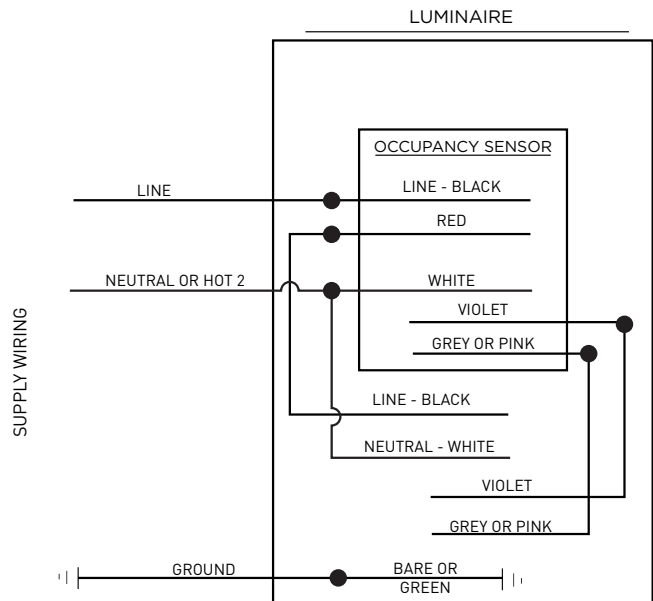
#### STEP 1: (Connecting the Occupancy Sensor)

- Connect the black fixture lead to the red lead from the occupancy sensor.
- Connect the violet fixture lead to the violet lead from the occupancy sensor.
- Connect the grey or pink fixture lead to the grey or pink lead from the occupancy sensor.

#### STEP 2:

- Connect the black lead from the occupancy sensor to the voltage supply lead.
- Connect the white fixture lead and the white lead from the occupancy sensor to the neutral supply lead (Hot 2 for 208/240V wiring).
- Connect the ground bare or green lead to the supply ground lead.

Tuck all wires carefully into wiring chamber ensuring that no wires are pinched.



# INSTALLATION INSTRUCTIONS

## C-WR-B-WLIN4-SCCT LED Series

Document: LPN00601X0001A2\_A Date: 7-26-2021  
 Created By: TMT

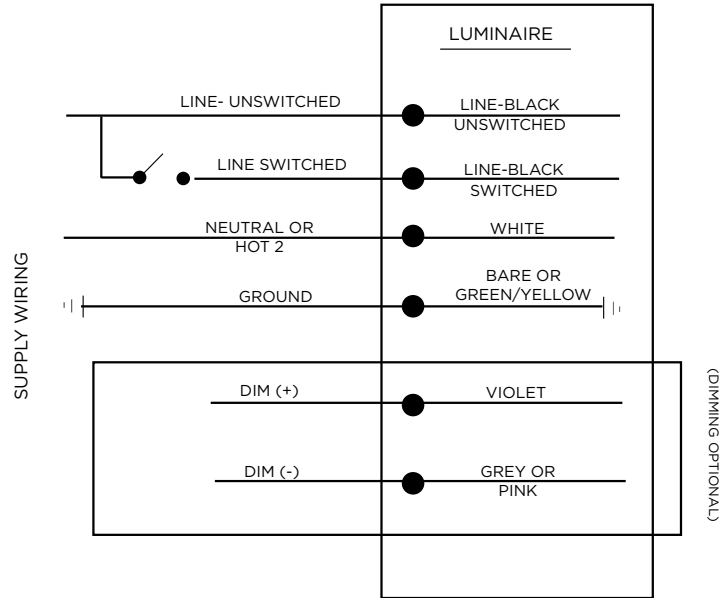
### ELECTRICAL CONNECTIONS- Emergency Driver, No Occupancy Sensor

**NOTE:** The emergency driver and AC driver must be fed from the same branch circuit.

Make the following Electrical Connections:

**STEP 1:**

- a. Connect the black fixture lead labeled unswitched hot to the unswitched voltage supply lead.
- b. Connect the black fixture lead labeled switched hot to the switched voltage supply lead.
- c. Connect the white fixture lead to the neutral supply lead (Hot 2 for 208/240V wiring).
- d. Connect the bare or green ground fixture lead to the supply ground lead.
- e. If 0/1-10V Dimming is used, connect the violet fixture lead to the supply positive dimming lead. If dimming is not being used ensure to cap off the violet fixture lead. Class 1 wiring must be used for dimming connections.
- f. If 0/1-10V Dimming is used, connect the grey or pink fixture lead to the supply negative dimming lead. If dimming is not being used ensure to cap off the grey or pink fixture lead. Class 1 wiring must be used for dimming connections.



Tuck all wires carefully into wiring chamber ensuring that no wires are pinched..

# INSTALLATION INSTRUCTIONS

## C-WR-B-WLIN4-SCCT LED Series

Document:	LPN00601X0001A2_A	Date:	7-26-2021
Created By:	TMT		

### ELECTRICAL CONNECTIONS- Emergency Driver and Occupancy Sensor

**NOTE:** The emergency driver and AC driver must be fed from the same branch circuit.

Make the following Electrical Connections:

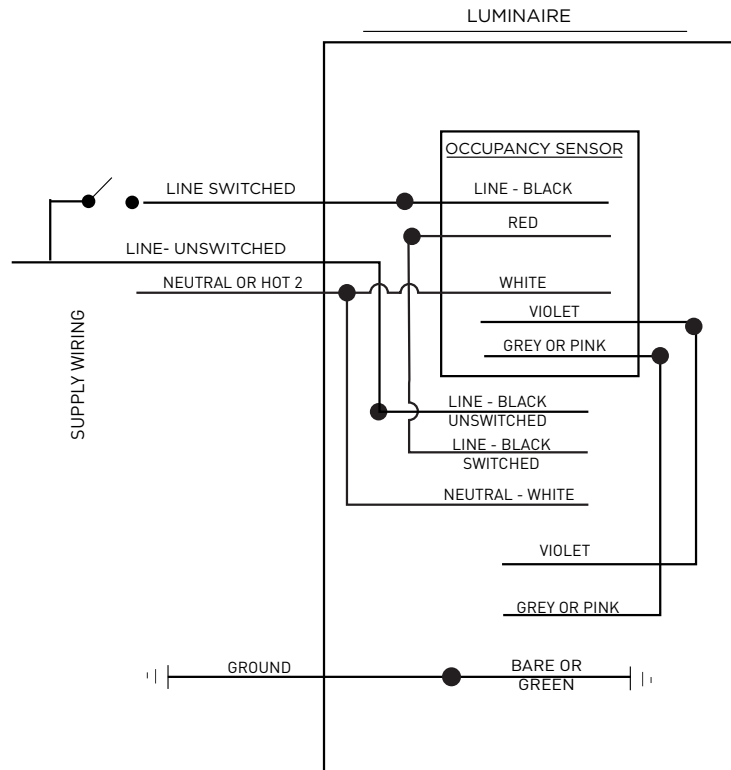
#### STEP 1: (Connecting the Occupancy Sensor)

- Connect the black fixture lead labeled switched hot to the red lead from the occupancy sensor.
- Connect the violet fixture lead to the violet lead from the occupancy sensor.
- Connect the grey or pink fixture lead to the grey or pink lead from the occupancy sensor.

#### STEP 2:

- Connect the black fixture lead labeled unswitched hot to the unswitched voltage supply lead.
- Connect the black lead from the occupancy sensor to the switched voltage supply lead.
- Connect the white fixture lead and the white lead from the occupancy sensor to the neutral supply lead (Hot 2 for 208/240V wiring).
- Connect the bare or green ground fixture lead to the supply ground lead.

Tuck all wires carefully into wiring chamber ensuring that no wires are pinched.



# INSTRUCCIONES DE INSTALACIÓN

## Serie C-WR-B-WLIN4-SCCT LED

Documento:	LPN00601X0001A2_A	Fecha:	26-07-2021
Creado por:	TMT		



### PRECAUCIONES

## MEDIDAS IMPORTANTES DE SEGURIDAD

Al usar aparatos eléctricos, siempre deben seguirse ciertas medidas básicas de seguridad, incluidas las siguientes:

### LEA Y SIGA TODAS LAS INSTRUCCIONES DE SEGURIDAD

- PELIGRO:** Riesgo de descarga eléctrica. Desconecte la alimentación eléctrica antes de la instalación.  
**DANGER – Risque de choc – Couper l'alimentation avant l'installation.**
- Esta luminaria debe instalarse de acuerdo con el Código Eléctrico de Estados Unidos (NEC, por sus siglas en inglés) o con el código eléctrico local. Si no está familiarizado con estos códigos y requisitos, consulte a un electricista calificado.  
*Ce produit doit être installé conformément à NEC ou votre code électrique local. Si vous n'êtes pas familier avec ces codes et ces exigences, veuillez contacter un électricien qualifié.*
- Este producto es adecuado para uso en lugares húmedos.  
*Convient aux emplacements humides.*

### CONSERVE ESTAS INSTRUCCIONES PARA CONSULTAS POSTERIORES

## INSTALACIÓN DE MONTAJE DIRECTO

- Coloque la luminaria sobre una superficie plana con el lente hacia arriba. Consulte la **Figura 1**.
- Presione con cuidado en el centro del lente cerca de una de las tapas finales de la luminaria. Desvíe el lente aproximadamente 1" (2,5 cm) para mostrar un soporte de límite en la tapa final. Deslice el lente debajo del soporte de límite. Esto permitirá que el extremo opuesto del lente se libere y se pueda levantar. Consulte la **Figura 2**.
- Levante el extremo opuesto del lente y deslícelo para retirarlo de la luminaria. Reserve el lente para usarlo posteriormente. Consulte la **Figura 3**.
- Coloque la luminaria en la ubicación deseada. Use la luminaria como plantilla para marcar los centros de las ranuras de ojo de cerradura en ambos lados de la luminaria. Perfore el orificio precortado correspondiente para permitir la entrada del cableado. Consulte la **Figura 4**.
- Instale los tornillos de montaje suministrados por el cliente adecuados para la superficie de montaje en las ubicaciones marcadas. Enrosque los tornillos en la superficie de montaje, pero deténgase cuando las cabezas de los tornillos se encuentren a aproximadamente 1/4" (6,3 mm) de la superficie. Pase las cabezas de los tornillos a través de los orificios centrales de las ranuras de ojo de cerradura y deslice la luminaria hasta que todos los tornillos estén colocados en uno de los lados de las ranuras de ojo de cerradura. Apriete totalmente los tornillos. Consulte la **Figura 5**.
- Lleve el cable de suministro a la luminaria y realice las conexiones de cableado conforme a la sección **Conexiones eléctricas**.

**NOTA:** Si se usa el accesorio de sensor de presencia, consulte la sección Accesorio de sensor de presencia para ver cómo instalarlo y programarlo antes de continuar con la sección Conexiones eléctricas.

7. Seleccione la potencia y el CCT deseados en el controlador. Consulte la **Figura 6**.
8. Vuelva a instalar el lente insertando un extremo de este en cualquiera de las tapas finales de la luminaria. Presione con cuidado hacia abajo en el centro del lente cerca de la tapa final para desviarla aproximadamente 1" (2,5 cm), lo que le permitirá despejar el soporte de límite. Deslice el lente lo más lejos posible hacia la tapa final, manteniéndolo bajo el soporte de límite. Acomode el extremo opuesto del lente en la luminaria. Consulte la **Figura 7**.
9. Una vez que el lente esté totalmente acomodado en la luminaria, deslícelo hacia el extremo opuesto de esta para bloquearlo en su sitio. Consulte la **Figura 8**.
10. Suministre alimentación a la luminaria.

FIGURA 1

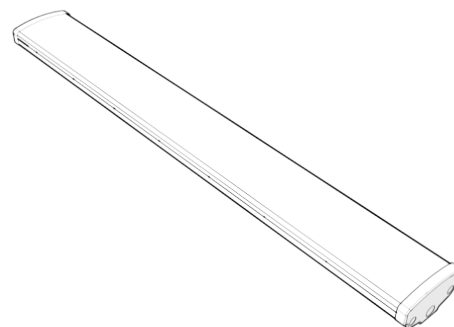


FIGURA 2

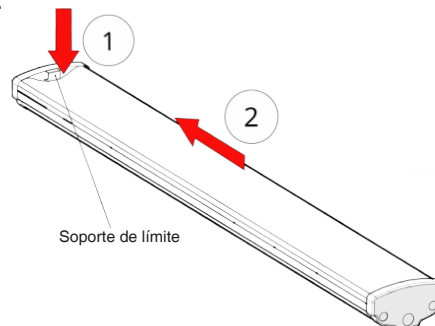


FIGURA 3

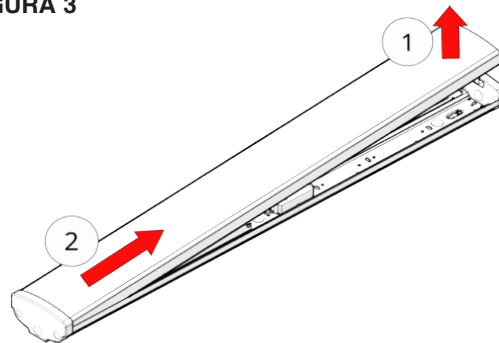
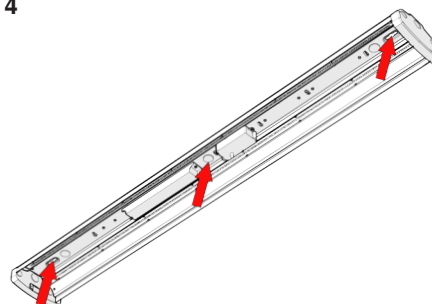


FIGURA 4



# INSTRUCCIONES DE INSTALACIÓN

## Serie C-WR-B-WLIN4-SCCT LED

### INSTALACIÓN DE MONTAJE COLGANTE

1. Coloque la luminaria sobre una superficie plana con el lente hacia arriba. Consulte la **Figura 1**.
2. Presione con cuidado en el centro del lente cerca de una de las tapas finales de la luminaria. Desvíe el lente aproximadamente 1" (2,5 cm) para mostrar un soporte de límite en la tapa final. Deslice el lente debajo del soporte de límite. Esto permitirá que el extremo opuesto del lente se libere y se pueda levantar. Consulte la **Figura 2**.
3. Levante el extremo opuesto del lente y deslícelo para retirarlo de la luminaria. Reserve el lente para usarlo posteriormente. Consulte la **Figura 3**.
4. Perfore los orificios precortados correspondientes en los extremos de la luminaria para los puntos de anclaje en pendiente. Consulte la **Figura 9**.
5. Fije el conducto de 1/2" suministrado por el cliente para sostener la luminaria en ambos extremos.  
**NOTA:** El espaciado del conducto es 38-7/16" (976 mm) al centro.
6. Asegure la luminaria al conducto con las (2) tuercas de seguridad suministradas por el cliente por cada ubicación del conducto. En cada sección del conducto, se debe colocar una tuerca de seguridad en la parte superior y otra dentro de la luminaria. Consulte la **Figura 10**.
7. Pase los cables de suministro a través de una de las piezas del conducto al interior de la luminaria. Realice las conexiones eléctricas de la luminaria conforme a la sección **Conexiones eléctricas**.  
**NOTA:** Si se usa el accesorio de sensor de presencia, consulte la sección Accesorio de sensor de presencia para ver cómo instalarlo y programarlo antes de continuar con la sección Conexiones eléctricas.
8. Seleccione la potencia y el CCT deseados en el controlador. Consulte la **Figura 6**.
9. Vuelva a instalar el lente insertando un extremo de este en cualquiera de las tapas finales de la luminaria. Presione con cuidado hacia abajo en el centro del lente cerca de la tapa final para desviarla aproximadamente 1", (2,5 cm), lo que le permitirá despejar el soporte de límite. Deslice el lente lo más lejos posible hacia la tapa final, manteniéndolo bajo el soporte de límite. Acomode el extremo opuesto del lente en la luminaria. Consulte la **Figura 7**.
10. Una vez que el lente esté totalmente acomodado en la luminaria, deslícelo hacia el extremo opuesto de esta para bloquearlo en su sitio. Consulte la **Figura 8**.
11. Suministre alimentación a la luminaria.

FIGURA 5

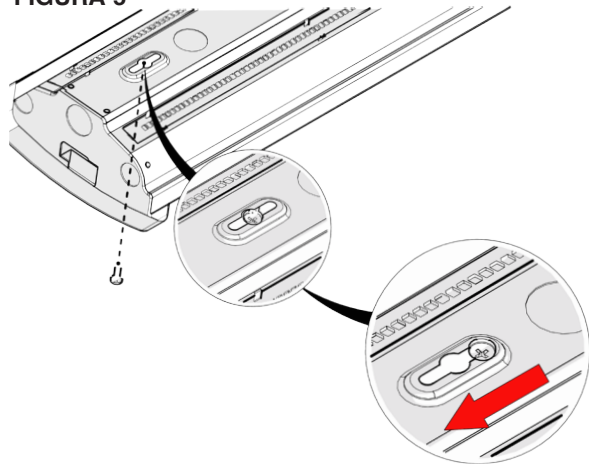


FIGURA 6

Selector de potencia del controlador de LED		
Posición del interruptor		
ALTO <input type="checkbox"/>	MEDIO <input type="checkbox"/>	BAJO <input type="checkbox"/>
43 W	30 W	15 W

Selector de CCT del controlador de LED		
Posición del interruptor		
<input type="checkbox"/>	<input type="checkbox"/>	<input type="checkbox"/>
5000 K	4000 K	3000 K

FIGURA 7

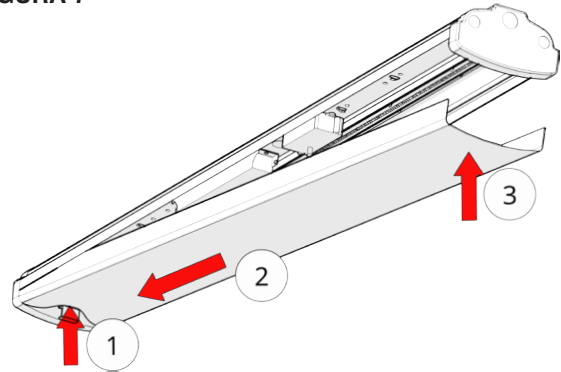
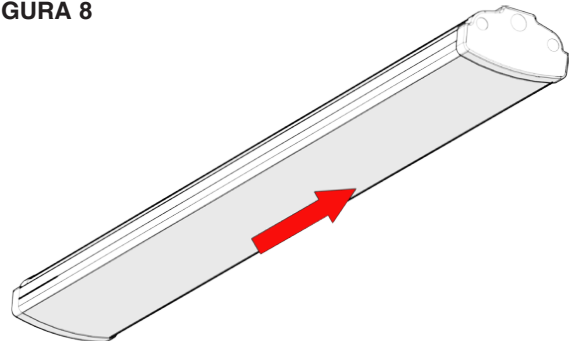


FIGURA 8



### ACCESORIO DE SENSOR DE PRESENCIA (Requiere el uso del accesorio C-ACC-MW-L)

**NOTA:** Cuando se usa el sensor de presencia, la atenuación se controla por medio de este.

1. Perfore un orificio precortado de 1/2" en la tapa final en el lado seleccionado de la luminaria.
2. Instale el sensor en la tapa final pasando los cables del sensor y el acoplador roscado a través de la abertura del orificio precortado de 1/2". Asegure el sensor con la tuerca del conducto en el acoplador dentro de la tapa final de la luminaria.
3. Consulte las instrucciones incluidas con el sensor para configurar los interruptores dip para programar el sensor.

# INSTRUCCIONES DE INSTALACIÓN

## Serie C-WR-B-WLIN4-SCCT LED

Documento:	LPN00601X0001A2_A	Fecha:	26-07-2021
Creado por:	TMT		

FIGURA 9

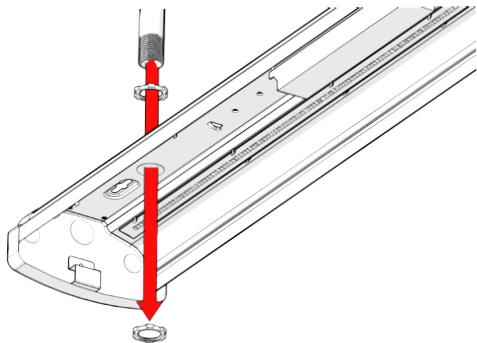
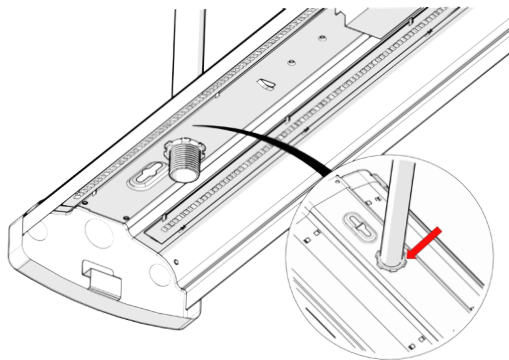


FIGURA 10



### VERIFICACIÓN DEL CONTROLADOR DE EMERGENCIA (Para luminarias equipadas con controlador de emergencia)

**NOTA:** El controlador de emergencia y el controlador de CA deben alimentarse del mismo circuito derivado.

**NOTA:** Para hacer una prueba a corto plazo de la función de emergencia, la batería se deberá cargar durante una hora como mínimo. El controlador de emergencia se deberá cargar durante 24 horas como mínimo antes de llevar a cabo una prueba a largo plazo.

#### PASO 1:

Cuando se aplica alimentación de CA, la luz indicadora de carga se ilumina, indicando que la batería se está cargando. Cuando falla la energía, el controlador de emergencia cambia automáticamente a energía de emergencia, haciendo funcionar la matriz de LED. Cuando se restablece el suministro de CA, el controlador de emergencia regresa al modo de carga.

#### PASO 2:

Aunque no se requiere mantenimiento de rutina para mantener el controlador de emergencia en funcionamiento, se debe verificar periódicamente para asegurarse de que esté funcionando. Se recomienda el siguiente programa:

- Inspeccione visualmente el indicador de carga mensualmente. Debe estar iluminado.
- Pruebe la operación de emergencia de la luminaria a intervalos de 30 días durante un mínimo de 30 segundos. Al oprimirse el interruptor de prueba, la matriz de LED debe funcionar.
- Realice una descarga de 90 minutos una vez al año. La matriz de LED debe funcionar durante al menos 90 minutos.

Si la luminaria falla en cualquiera de estas verificaciones, consulte al personal de servicio.

#### Botón de prueba de EM Luz indicadora del estado

- Cargando: luz roja encendida
- Descarga de EM: luz roja apagada
- EM dañada: luz roja apagada/luz roja parpadeando/luminaria parpadeando
- Botón interruptor de prueba presionado: luz roja apagada

CUALQUIER SERVICIO INDICADO POR ESTAS VERIFICACIONES DEBERÁ REALIZARLO EL PERSONAL CALIFICADO. EL CONTROLADOR DE EMERGENCIA Y EL CONTROLADOR DE CA DEBEN ALIMENTARSE DEL MISMO CIRCUITO DERIVADO.

### AVISO DE LA FCC

**PRECAUCIÓN:** Los cambios o modificaciones que no se autoricen expresamente podrían invalidar su autoridad para usar este equipo.

Este dispositivo cumple con la Sección 15 de las normativas de la FCC. El uso está sujeto a las dos condiciones siguientes: (1) Este dispositivo no debe causar interferencias dañinas y (2) este dispositivo debe aceptar cualquier interferencia recibida, incluyendo aquellas que puedan causar un uso indeseado.

Este equipo ha sido sometido a pruebas y cumple con los límites de un dispositivo digital Clase A, de acuerdo con el apartado 15 de las normas de la FCC. Estos límites están diseñados para ofrecer protección razonable contra interferencias dañinas cuando el equipo se opera en un entorno comercial. Este equipo genera, usa y puede irradiar energía de radiofrecuencia y, si no se le instala y usa de acuerdo con el manual de instrucciones, puede causar interferencias dañinas a las comunicaciones de radio. Es probable que el uso de este equipo en un área residencial cause interferencias perjudiciales, en cuyo caso el usuario deberá corregir dicha interferencia por su propia cuenta.  
CAN ICES-005 (A)/NMB-005 (A)

# INSTRUCCIONES DE INSTALACIÓN

## Serie C-WR-B-WLIN4-SCCT LED

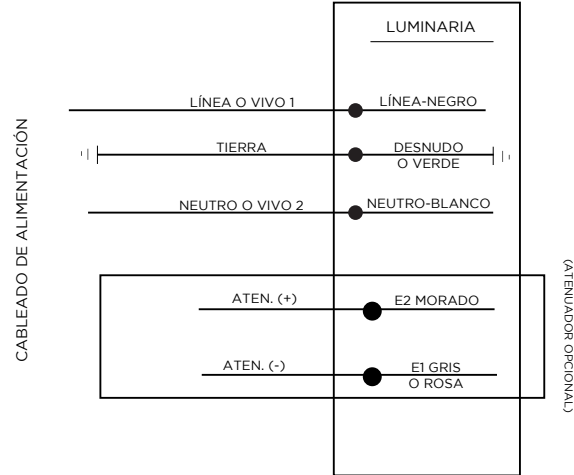
Documento: LPN00601X0001A2\_A Fecha: 26-07-2021  
 Creado por: TMT

### CONEXIONES ELÉCTRICAS: sin controlador de emergencia, sin sensor de presencia

Realice las siguientes conexiones eléctricas:

- Conecte el cable negro de la luminaria al cable de suministro de voltaje (vivo 1 para cableado de 208/240 V).
- Conecte el cable blanco de la luminaria al cable neutro del suministro (vivo 2 para cableado de 208/240 V).
- Conecte el cable verde de tierra al cable de tierra del suministro.
- Si se utiliza atenuación de 0/1-10 V, conecte el cable morado de la luminaria al cable positivo de atenuación del suministro. Para la atenuación, use métodos de cableado de clase 1 únicamente. Si no se usa atenuación, asegúrese de cubrir el cable morado.
- Si se utiliza atenuación de 0/1-10 V, conecte el cable gris o rosa de la luminaria al cable negativo de atenuación del suministro. Para la atenuación, use métodos de cableado de clase 1 únicamente. Si no se utiliza atenuación, asegúrese de cubrir el cable gris o rosa.

Acomode cuidadosamente todos los cables en la caja de conexiones y asegúrese de no aplastar ningún cable.



### CONEXIONES ELÉCTRICAS: con sensor de presencia, sin controlador de emergencia

Realice las siguientes conexiones eléctricas:

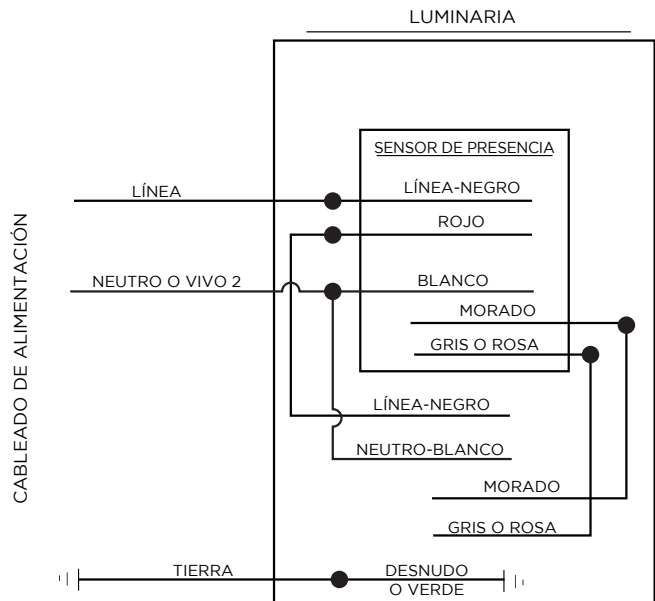
#### PASO 1: (Conexión del sensor de presencia)

- Conecte el cable negro de la luminaria al cable rojo del sensor de presencia.
- Conecte el cable morado de la luminaria al cable morado del sensor de presencia.
- Conecte el cable gris o rosa de la luminaria al cable gris o rosa del sensor de presencia.

#### PASO 2:

- Conecte el cable negro del sensor de presencia al cable de suministro de voltaje.
- Conecte el cable blanco de la luminaria y el cable blanco del sensor de presencia al cable neutro del suministro (vivo 2 para cableado de 208/240 V).
- Conecte el cable expuesto o verde de tierra al cable de tierra del suministro.

Acomode cuidadosamente todos los cables en la caja de conexiones y asegúrese de no aplastar ningún cable.



# INSTRUCCIONES DE INSTALACIÓN

## Serie C-WR-B-WLIN4-SCCT LED

Documento: LPN00601X0001A2\_A Fecha: 26-07-2021  
Creado por: TMT

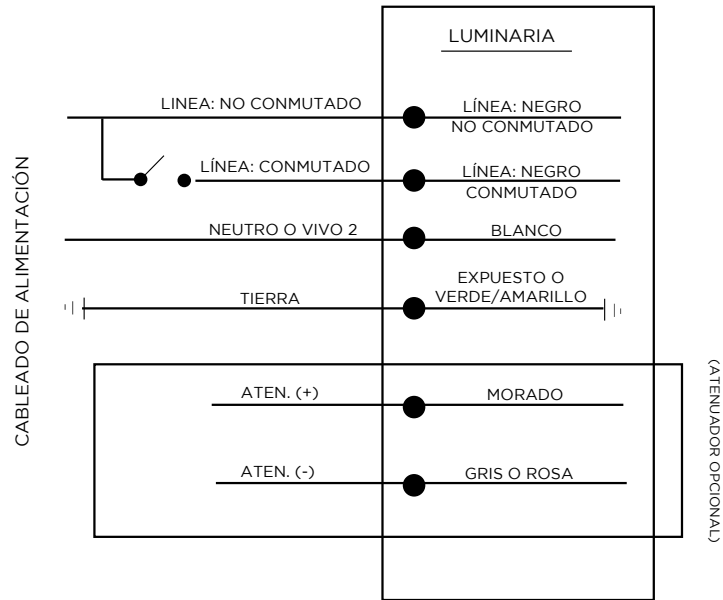
### CONEXIONES ELÉCTRICAS: con controlador de emergencia, sin sensor de presencia

**NOTA:** El controlador de emergencia y el controlador de CA deben alimentarse del mismo circuito derivado.

Realice las siguientes conexiones eléctricas:

#### PASO 1:

- Conecte el cable negro de la luminaria etiquetado como No conmutado al cable no conmutado de suministro de voltaje.
- Conecte el cable negro de la luminaria etiquetado como Conmutado al cable conmutado de suministro del voltaje.
- Conecte el cable blanco de la luminaria al cable neutro del suministro (vivo 2 para cableado de 208/240 V).
- Conecte el cable expuesto o verde de la luminaria al cable de conexión a tierra del suministro.
- Si se utiliza atenuación de 0/1-10 V, conecte el cable morado de la luminaria al cable positivo de atenuación del suministro. Si no se usa atenuación, asegúrese de cubrir el cable morado de la luminaria. Se debe utilizar cableado de Clase 1 para las conexiones del atenuador.
- Si se utiliza atenuación de 0/1-10 V, conecte el cable gris o rosa de la luminaria al cable negativo de atenuación del suministro. Si no se utiliza atenuación, asegúrese de cubrir el cable gris o rosa de la luminaria. Se deben utilizar cableado de Clase 1 para las conexiones del atenuador.



Acomode cuidadosamente todos los cables en la caja de conexiones y asegúrese de no aplastar ningún cable.

# INSTRUCCIONES DE INSTALACIÓN

## Serie C-WR-B-WLIN4-SCCT LED

Documento: LPN00601X0001A2\_A Fecha: 26-07-2021  
Creado por: TMT

### CONEXIONES ELÉCTRICAS: con controlador de emergencia y sensor de presencia

**NOTA:** El controlador de emergencia y el controlador de CA deben alimentarse del mismo circuito derivado.

Realice las siguientes conexiones eléctricas:

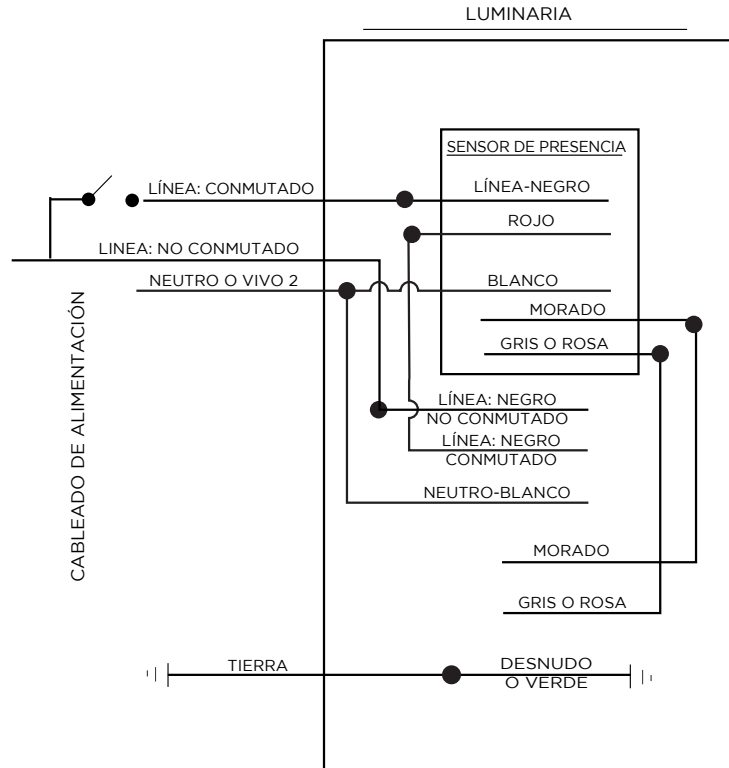
#### PASO 1: (Conexión del sensor de presencia)

- Conecte el cable negro de la luminaria etiquetado como Conmutado vivo al cable rojo del sensor de presencia.
- Conecte el cable morado de la luminaria al cable morado del sensor de presencia.
- Conecte el cable gris o rosa de la luminaria al cable gris o rosa del sensor de presencia.

#### PASO 2:

- Conecte el cable negro de la luminaria etiquetado como No conmutado al cable no conmutado de suministro de voltaje.
- Conecte el cable negro del sensor de presencia al cable conmutado de suministro de voltaje.
- Conecte el cable blanco de la luminaria y el cable blanco del sensor de presencia al cable neutro del suministro (vivo 2 para cableado de 208/240 V).
- Conecte el cable expuesto o verde de tierra de la luminaria al cable de conexión a tierra del suministro.

Acomode cuidadosamente todos los cables en la caja de conexiones y asegúrese de no aplastar ningún cable.



# INSTRUCTIONS D'INSTALLATION

## Série C-WR-B-WLIN4-SCCT LED

Document : LPN00601X0001A2\_A Date : 7-26-2021  
Créé par : TMT

# C-LITE

LED LIGHTING

### ⚠ MISES EN GARDE

## MESURES DE SÉCURITÉ IMPORTANTES

Lors de toute utilisation d'appareils électriques, les consignes de sécurité de base doivent toujours être respectées, dont les suivantes :

### LISEZ ET SUIVEZ TOUTES LES CONSIGNES DE SÉCURITÉ

- DANGER**– Risque de choc – Couper l'alimentation avant l'installation.  
**DANGER** – Risk of shock – Disconnect power before installation.
- Ce produit doit être installé conformément à NEC ou votre code électrique local. Si vous n'êtes pas familier avec ces codes et ces exigences, veuillez communiquer avec un électricien qualifié.  
*This luminaire must be installed in accordance with the NEC or your local electrical code. If you are not familiar with these codes and requirements, consult a qualified electrician.*
- Convient aux emplacements humides.  
*Suitable for damp locations.*

### VEUILLEZ GARDER CES INSTRUCTIONS POUR RÉFÉRENCE ULTÉRIEURE

## INSTALLATION - MONTAGE DIRECT

- Placez le luminaire sur une surface plane, côté lentille vers le haut. Voir **Figure 1**.
- Appuyez délicatement sur le centre de la lentille près de l'un des capuchons d'extrémité du luminaire. Déplacez la lentille d'environ 2,5 cm (1 po) pour faire apparaître un support de fin de course dans le capuchon d'extrémité. Faites glisser la lentille sous le support de limite. Ainsi, l'extrémité opposée de la lentille pourra se dégager et être soulevée. Voir **Figure 2**.
- Soulevez l'extrémité opposée de la lentille et faites glisser la lentille hors du luminaire. Mettez la lentille de côté pour une utilisation ultérieure. Voir **Figure 3**.
- Positionnez le luminaire à l'endroit désiré. Utilisez le luminaire comme gabarit pour marquer les centres des fentes en trou de serrure aux deux extrémités du luminaire. Retirez l'alvéole défonçable appropriée pour le passage des fils d'alimentation. Voir **Figure 4**.
- Posez les vis de montage fournies par le client, adaptées à la surface de montage, aux endroits marqués. Vissez les vis dans la surface de montage, mais arrêtez lorsque les têtes de vis sont à environ 6 mm (1/4 po) de la surface. Passez les têtes de vis dans les trous centraux des trous de serrure et faites glisser le luminaire jusqu'à ce que les vis soient positionnées à l'une des extrémités des trous de serrure. Serrez les vis à fond. Voir **Figure 5**.
- Introduisez le câble d'alimentation dans le luminaire et câblez selon la section appropriée **Raccordements électriques**.  
**REMARQUE** : Si vous utilisez l'accessoire détecteur de présence, veuillez vous reporter à la section Accessoire détecteur de présence pour l'installation et la programmation du détecteur de présence avant de passer à la section Raccordements électriques.

- Sélectionnez la puissance électrique et le CCT désirés sur le pilote. Voir **Figure 6**.
- Réinstallez la lentille en insérant l'une de ses extrémités dans l'un ou l'autre des capuchons d'extrémité du luminaire. Appuyez doucement sur le centre de la lentille près du capuchon d'extrémité pour la faire dévier d'environ 2,5 cm (1 po), ce qui lui permet de dépasser le support de fin de course. Faites glisser la lentille aussi loin que possible dans le capuchon d'extrémité, en maintenant la lentille sous le support de fin de course. Insérez l'extrémité opposée de la lentille dans le luminaire. Voir **Figure 7**.
- Une fois la lentille complètement insérée dans le luminaire, faites-la glisser vers l'extrémité opposée du luminaire pour la verrouiller en place. Voir **Figure 8**.
- Fournissez l'alimentation au luminaire.

FIGURE 1

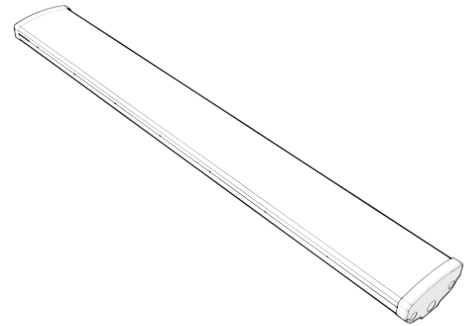


FIGURE 2

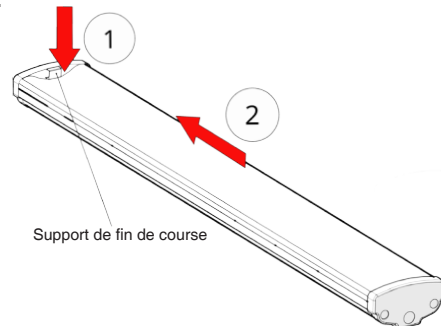


FIGURE 3

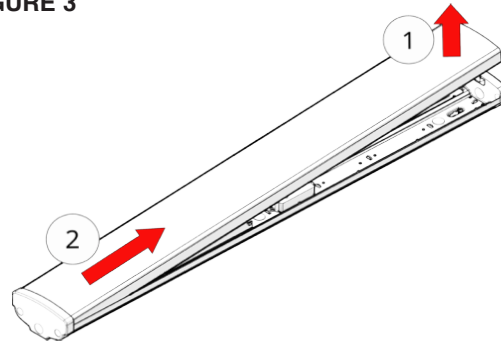
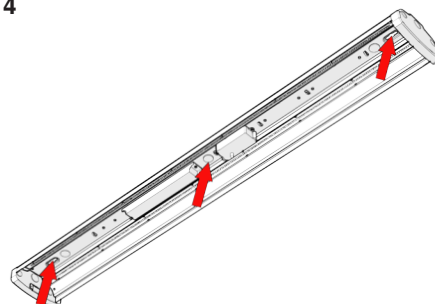


FIGURE 4



# INSTRUCTIONS D'INSTALLATION

## Série C-WR-B-WLIN4-SCCT LED

### INSTALLATION - MONTAGE SUSPENDU

- Placez le luminaire sur une surface plane, côté lentille vers le haut. Voir **Figure 1**.
- Appuyez délicatement sur le centre de la lentille près de l'un des capuchons d'extrémité du luminaire. Déplacez la lentille d'environ 2,5 cm (po) pour faire apparaître un support de fin de course dans le capuchon d'extrémité. Faites glisser la lentille sous le support de limite. Ainsi, l'extrémité opposée de la lentille pourra se dégager et être soulevée. Voir **Figure 2**.
- Soulevez l'extrémité opposée de la lentille et faites glisser la lentille hors du luminaire. Mettez la lentille de côté pour une utilisation ultérieure. Voir **Figure 3**.
- Retirez les alvéoles défonçables appropriées aux extrémités du luminaire pour les points de fixation en suspension. Voir **Figure 9**.
- Fixez le conduit 13 mm (1/2 po) fourni par le client pour soutenir le luminaire aux deux extrémités.  
**REMARQUE** : L'espacement des conduits est 976 mm (38-7/16 po) par rapport au centre.
- Fixez le luminaire au conduit à l'aide de (2) contre-écrous fournis par le client pour chaque emplacement de conduit. Sur chaque section de conduit, un contre-écrou doit être positionné sur le dessus du luminaire et un à l'intérieur du luminaire. Voir **Figure 10**.
- Faites passer les câbles d'alimentation à travers une des parties du conduit et dans le luminaire. Raccordez les fils du luminaire selon la section **Raccordements électriques**.  
**REMARQUE** : Si vous utilisez l'accessoire détecteur de présence, veuillez vous reporter à la section Accessoire détecteur de présence pour l'installation et la programmation du détecteur de présence avant de passer à la section Raccordements électriques.
- Sélectionnez la puissance électrique et le CCT désirés sur le pilote. Voir **Figure 6**.
- Réinstallez la lentille en insérant l'une de ses extrémités dans l'un ou l'autre des capuchons d'extrémité du luminaire. Appuyez doucement sur le centre de la lentille près du capuchon d'extrémité pour la faire dévier d'environ 2,5 cm (1 po), ce qui lui permet de dépasser le support de fin de course. Faites glisser la lentille aussi loin que possible dans le capuchon d'extrémité, en maintenant la lentille sous le support de fin de course. Insérez l'extrémité opposée de la lentille dans le luminaire. Voir **Figure 7**.
- Une fois la lentille complètement insérée dans le luminaire, faites-la glisser vers l'extrémité opposée du luminaire pour la verrouiller en place. Voir **Figure 8**.
- Fournissez l'alimentation au luminaire.

FIGURE 5

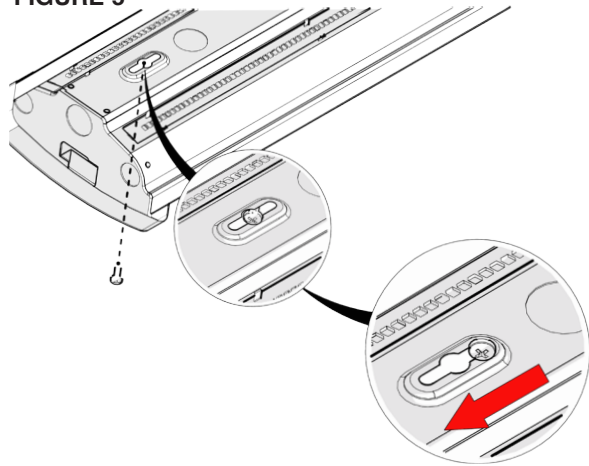


FIGURE 6

Sélecteur de puissance du pilote DEL		
Position de l'interrupteur		
HAUT <input type="checkbox"/>	MOY. <input type="checkbox"/>	BAS <input type="checkbox"/>
43 W	30 W	15 W

Sélecteur CCT du pilote DEL		
Position de l'interrupteur		
<input type="checkbox"/>	<input type="checkbox"/>	<input type="checkbox"/>
5000 K	4000 K	3000 K

FIGURE 7

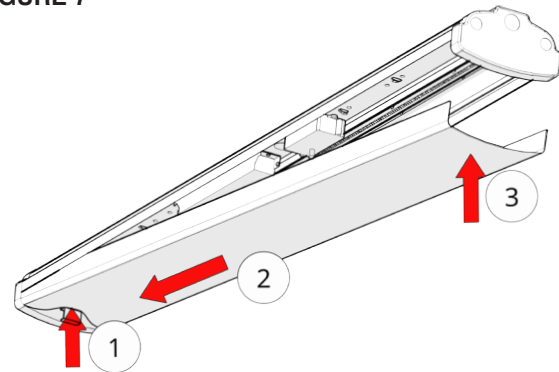
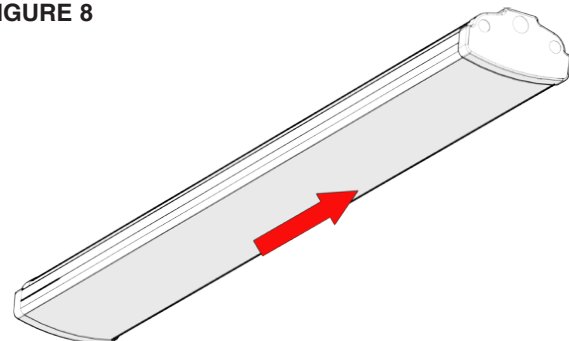


FIGURE 8



### ACCESSOIRE CAPTEUR DE PRÉSENCE (Nécessite d'utiliser l'accessoire C-ACC-MW-L)

**REMARQUE** : Si le capteur de présence est utilisé, la gradation est contrôlée par le capteur de présence.

- Retirez une alvéole défonçable de 12,7 mm (1/2 po) du capuchon d'extrémité à l'extrémité sélectionnée du luminaire.
- Montez le capteur sur le capuchon d'extrémité en faisant passer les fils du capteur et le raccord fileté à travers l'alvéole défonçable de 12,7 mm (1/2 po). Fixez le capteur en place à l'aide de l'écrou du conduit sur le manchon à l'intérieur du capuchon d'extrémité du luminaire.
- Reportez-vous aux instructions fournies avec le capteur pour régler les commutateurs DIP et programmer le capteur.

# INSTRUCTIONS D'INSTALLATION

## Série C-WR-B-WLIN4-SCCT LED

Document : LPN00601X0001A2\_A Date : 7-26-2021  
Créé par : TMT

FIGURE 9

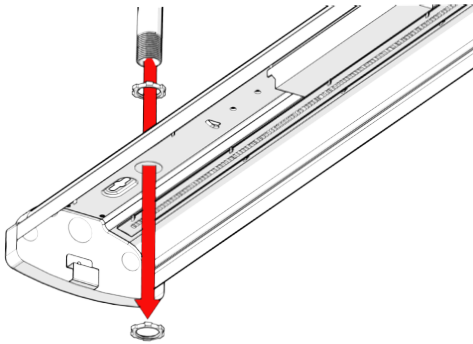
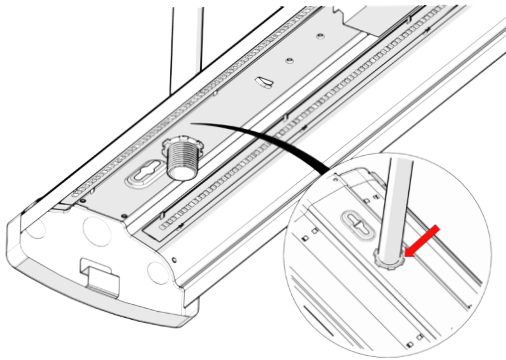


FIGURE 10



### VÉRIFICATION DU PILOTE D'URGENCE (Pour les luminaires équipés d'un pilote d'urgence)

**REMARQUE :** Le pilote d'urgence et le pilote CA doivent être alimentés par le même circuit de dérivation.

**REMARQUE :** Pour effectuer un bref essai de la fonction d'urgence, la batterie doit être rechargée pendant au moins une heure. Le pilote d'urgence doit être rechargé pendant au moins 24 heures avant d'effectuer un essai de longue durée.

#### ÉTAPE 1 :

Lorsque l'alimentation en alternatif est appliquée, le voyant de charge s'allume, indiquant que la batterie est en charge. En cas de panne de courant, le pilote d'urgence passe automatiquement en mode d'alimentation d'urgence et fait fonctionner l'ensemble de DEL. Lorsque l'alimentation en alternatif sera rétablie, le pilote d'urgence reviendra en mode de charge.

#### ÉTAPE 2 :

Bien qu'aucune maintenance de routine ne soit nécessaire pour maintenir le pilote d'urgence en état de fonctionnement, il devrait être testé périodiquement pour s'assurer qu'il fonctionne. Le programme suivant est recommandé :

- Inspectez visuellement le voyant lumineux de charge tous les mois. Il doit être allumé.
- Testez le fonctionnement d'urgence du luminaire tous les 30 jours pendant au moins 30 secondes. Lorsque l'interrupteur d'essai est enfoncé, l'ensemble de DEL doit fonctionner.
- Effectuez un test de décharge de 90 minutes une fois par an. L'ensemble de DEL doit fonctionner pendant au moins 90 minutes.

Si le luminaire échoue à l'un de ces contrôles, adressez-vous au personnel de service.

#### Bouton de test EM : voyant de statut

- En cours de charge - lumière rouge allumée
- EM en cours de décharge - lumière rouge éteinte
- EM endommagé - lumière rouge éteinte/lumière rouge clignotante/luminaire clignotant
- Bouton de l'interrupteur de test enfoncé - lumière rouge éteinte

RAPPORTEZ TOUTE DÉFAILLANCE INDIQUÉE PAR CES CONTRÔLES À UN PERSONNEL DE RÉPARATION QUALIFIÉ  
LE PILOTE D'URGENCE ET LE PILOTE CA DOIVENT ÊTRE ALIMENTÉS DEPUIS LE MÊME CIRCUIT DE DÉRIVATION.

### AVIS DE LA FCC

**MISE EN GARDE :** Les changements ou modifications non expressément approuvés peuvent annuler votre droit à utiliser cet équipement.

Cet appareil est conforme avec la section 15 des Règlements de la FCC. L'utilisation est soumise aux deux conditions suivantes : (1) Cet appareil ne devrait pas causer d'interférences nuisibles, et (2) cet appareil doit supporter toute interférence reçue, y compris les interférences pouvant causer un fonctionnement non désiré.

Cet équipement a été testé et déclaré conforme aux limites applicables à un appareil numérique de classe A, conformément à la section 15 des Règlements de la FCC. Ces limites sont établies afin de fournir une protection raisonnable contre les interférences dommageables lorsque l'appareil est utilisé dans un environnement commercial. Cet équipement génère, utilise et peut émettre une énergie de fréquence radio et, si installé et utilisé non conformément aux instructions du manuel, peut provoquer des interférences nuisibles aux communications radio. L'utilisation de cet équipement dans une zone résidentielle est susceptible de provoquer des interférences nuisibles, auquel cas l'utilisateur devra corriger ces interférences à ses propres frais.  
CAN ICES-005 (A)/NMB-005 (A)

# INSTRUCTIONS D'INSTALLATION

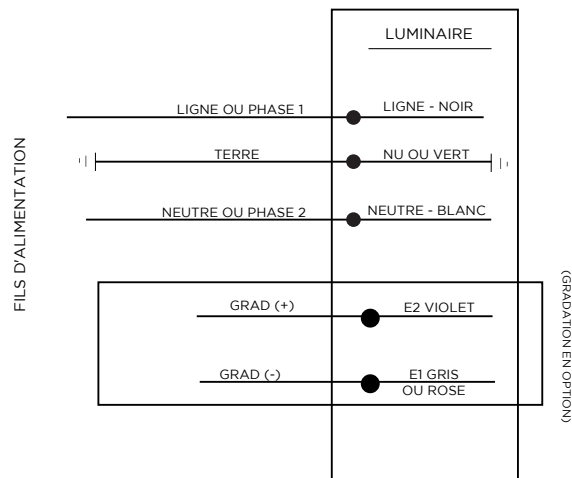
## Série C-WR-B-WLIN4-SCCT LED

Document : LPN00601X0001A2\_A Date : 7-26-2021  
 Créé par : TMT

### RACCORDEMENTS ÉLECTRIQUES - Sans pilote d'urgence, sans détecteur de présence

Effectuez les raccordements électriques suivants :

- Raccordez le fil noir du luminaire au fil d'alimentation en tension (Phase 1 pour câblage 208/240 V).
- Raccordez le fil blanc du luminaire au fil d'alimentation neutre (Phase 2 pour câblage 208/240 V).
- Raccordez le fil de terre vert du luminaire au fil de terre de l'alimentation.
- Si une gradation 0/1 à 10 V est utilisée, raccordez le fil violet du luminaire au fil de gradation positif de l'alimentation. Pour la gradation, utilisez seulement les méthodes de câblage de la classe 1. Si vous n'utilisez pas de gradation, assurez-vous de capuchonner le fil violet.
- Si la gradation 0/1 à 10 V est utilisée, raccordez le fil gris ou rose du luminaire au fil de gradation négatif de l'alimentation. Pour la gradation, utilisez seulement les méthodes de câblage de la classe 1. Si vous n'utilisez pas de gradation, assurez-vous de capuchonner le fil gris ou rose.



Insérez soigneusement tous les fils dans la chambre de câblage en vous assurant qu'aucun fil n'est coincé.

### RACCORDEMENTS ÉLECTRIQUES - Détecteur de présence, sans pilote d'urgence

Effectuez les raccordements électriques suivants :

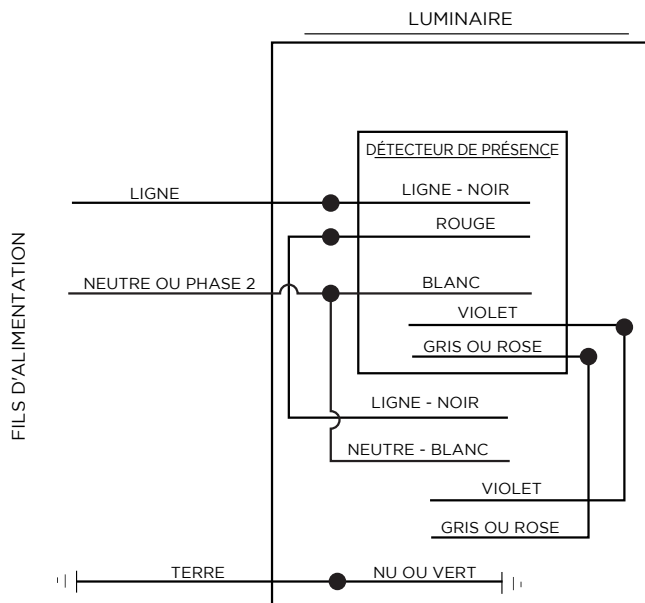
#### ÉTAPE 1 : (Raccordement du détecteur de présence)

- Raccordez le fil noir du luminaire au fil rouge du détecteur de présence.
- Raccordez le fil violet du luminaire au fil violet du détecteur de présence.
- Raccordez le fil gris ou rose du luminaire au fil gris ou rose du détecteur de présence.

#### ÉTAPE 2 :

- Raccordez le fil noir du détecteur de présence au fil d'alimentation en tension.
- Raccordez le fil blanc du luminaire et le fil blanc du détecteur de présence au fil d'alimentation neutre (Phase 2 pour câblage 208/240 V).
- Raccordez le fil de terre nu ou vert au fil de terre de l'alimentation.

Insérez soigneusement tous les fils dans la chambre de câblage en vous assurant qu'aucun fil n'est coincé.



# INSTRUCTIONS D'INSTALLATION

## Série C-WR-B-WLIN4-SCCT LED

Document : LPN00601X0001A2\_A Date : 7-26-2021  
Créé par : TMT

### RACCORDEMENTS ÉLECTRIQUES - Pilote d'urgence, sans détecteur de présence

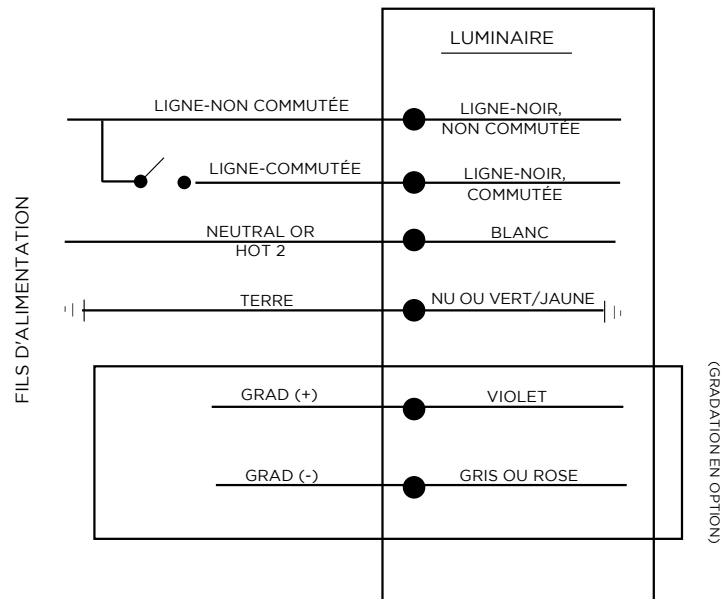
**REMARQUE :** Le pilote d'urgence et le pilote CA doivent être alimentés par le même circuit de dérivation.

Effectuez les raccordements électriques suivants :

#### ÉTAPE 1 :

- Raccordez le fil noir du luminaire étiqueté « phase non commutée » au fil d'alimentation en tension non commutée.
- Raccordez le fil noir du luminaire étiqueté « phase commutée » au fil d'alimentation en tension commutée.
- Raccordez le fil blanc du luminaire au fil d'alimentation neutre (Phase 2 pour câblage 208/240 V).
- Raccordez le fil de terre nu ou vert du luminaire au fil de terre de l'alimentation.
- Si une gradation 0/1 à 10 V est utilisée, raccordez le fil violet du luminaire au fil de gradation positif de l'alimentation. Si vous n'utilisez pas de gradation, assurez-vous de capuchonner le fil violet du luminaire. Le câblage de classe 1 doit être utilisé pour les raccordements de gradation.
- Si la gradation 0/1 à 10 V est utilisée, raccordez le fil gris ou rose du luminaire au fil de gradation négatif de l'alimentation. Si vous n'utilisez pas de gradation, assurez-vous de capuchonner le fil gris ou rose du luminaire. Le câblage de classe 1 doit être utilisé pour les raccordements de gradation.

Insérez soigneusement tous les fils dans la chambre de câblage en vous assurant qu'aucun fil n'est coincé.



# INSTRUCTIONS D'INSTALLATION

## Série C-WR-B-WLIN4-SCCT LED

Document : LPN00601X0001A2\_A Date : 7-26-2021  
Créé par : TMT

### RACCORDEMENTS ÉLECTRIQUES - Pilote d'urgence et détecteur de présence

**REMARQUE :** Le pilote d'urgence et le pilote CA doivent être alimentés par le même circuit de dérivation.

Effectuez les raccordements électriques suivants :

#### ÉTAPE 1 : (Raccordement du détecteur de présence)

- Raccordez le fil noir du luminaire étiqueté « phase commutée » au fil rouge du détecteur de présence.
- Raccordez le fil violet du luminaire au fil violet du détecteur de présence.
- Raccordez le fil gris ou rose du luminaire au fil gris ou rose du détecteur de présence.

#### ÉTAPE 2 :

- Raccordez le fil noir du luminaire étiqueté « phase non commutée » au fil d'alimentation en tension non commutée.
- Raccordez le fil noir du détecteur de présence au fil d'alimentation en tension commutée.
- Raccordez le fil blanc du luminaire et le fil blanc du détecteur de présence au fil d'alimentation neutre (Phase 2 pour câblage 208/240 V).
- Raccordez le fil de terre nu ou vert du luminaire au fil de terre de l'alimentation.

Insérez soigneusement tous les fils dans la chambre de câblage en vous assurant qu'aucun fil n'est coincé.

