

# Stairwell Luminaire

## Installation Instruction

### ⚠ WARNING

- To reduce the risk of death, personal injury or property damage from fire, electric shock, falling parts, cuts/abrasions, and other hazards read all warnings and instructions included with and on the fixture box and all fixture labels.
- Before installing, servicing, or performing routine maintenance upon this equipment, follow these general precautions.
- Commercial installation, service and maintenance of luminaires should be performed by a qualified licensed electrician.
- For the installation: If you are unsure about the installation or maintenance of the luminaires, consult a qualified licensed electrician and check your local electrical code.
- To prevent wiring damage or abrasion, do not expose wiring to edges of sheet metal or other sharp objects.
- Do not make or alter any open holes in an enclosure of wiring or electrical components during kit installation.

### ⚠ WARNING

- Turn off electrical power at fuse or circuit breaker box before wiring fixture to the power supply.
- Turn off the power when you perform any maintenance.
- Verify that supply voltage is correct by comparing it with the luminaire label information.
- All wiring connections should be capped with UL approved wire connectors.

### ⚠ CAUTION

- Avoid direct eye exposure to the light source while it is on.
- Account for small parts and destroy packing material, as these may be hazardous to children.
- Risk of burn. Disconnect power and allow fixture to cool before changing bulb or handing fixture.

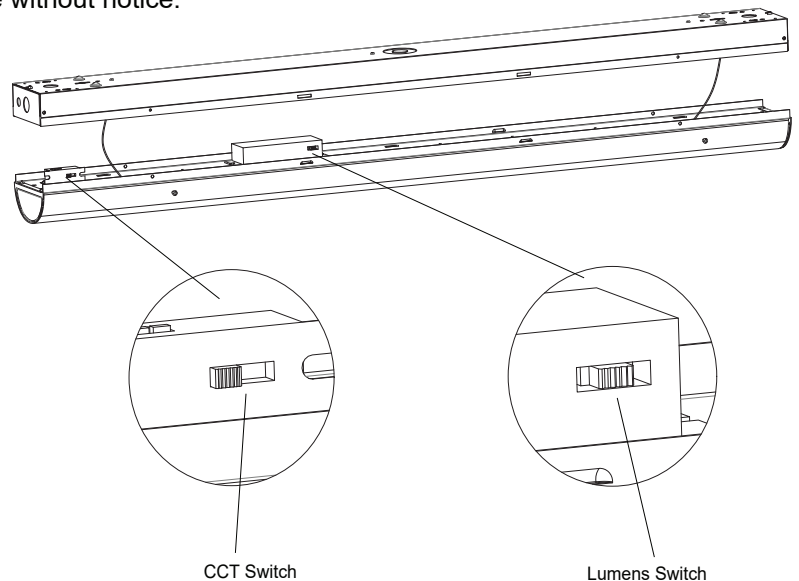
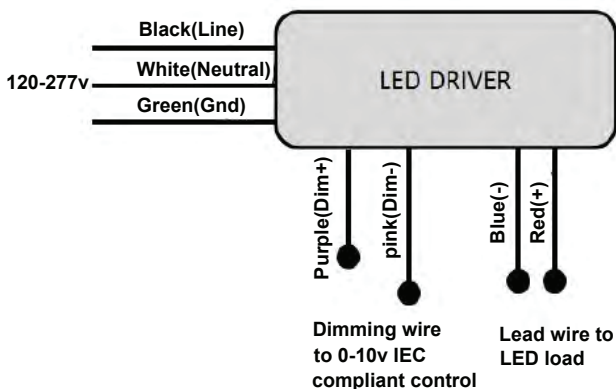
NOTICE: Green ground screw provided in proper location. Do not relocate.

NOTICE: Minimum 90° supply conductors.

NOTICE: Specifications and dimensions subject to change without notice.

NOTICE: Suitable for Dry or Damp location

### General Wiring Diagram



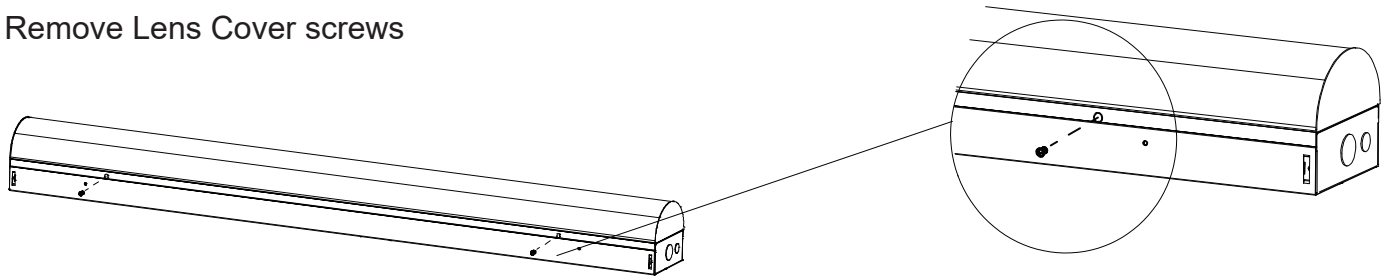
**Field-Adjustable Wattage & CCT**

# Installation Instruction

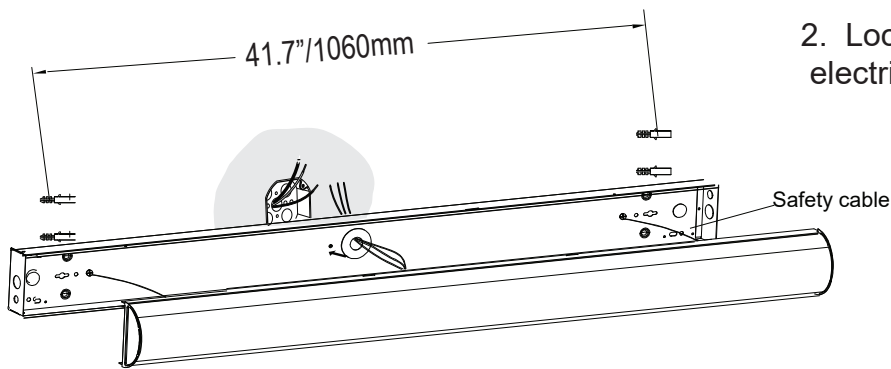
---

## A. Wall mounting

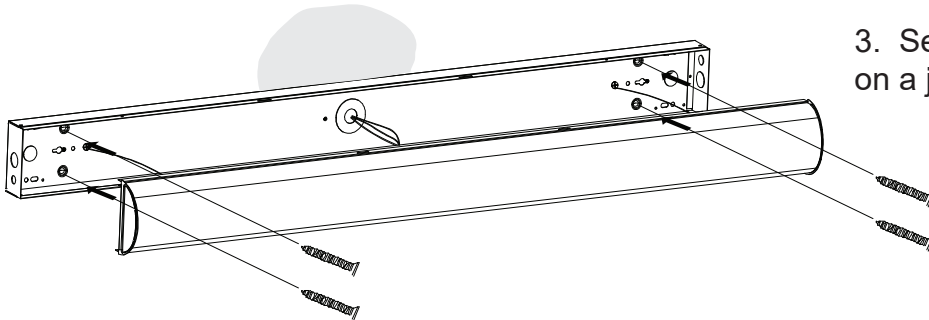
1. Remove Lens Cover screws



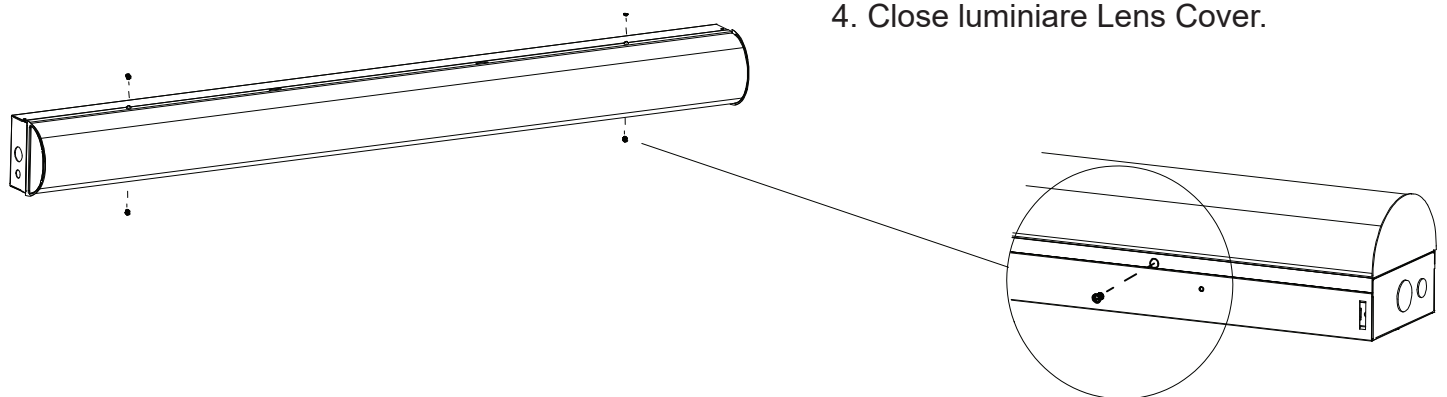
2. Locate wall mounting anchors and make electrical connections (see wiring diagram)



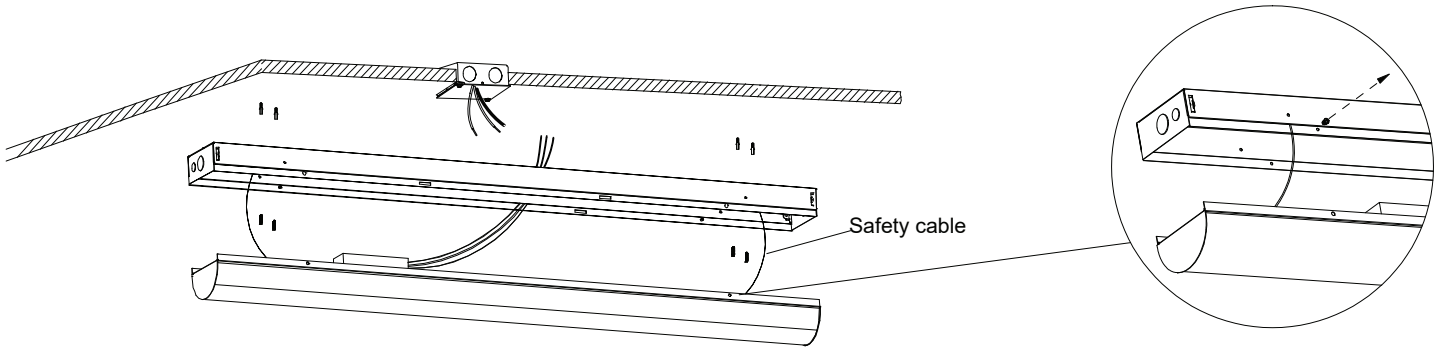
3. Secure the luminaire body to the wall on a junction box or over a junction box.



4. Close luminaire Lens Cover.



## B. Ceiling mounting



1. Remove Lens Cover screws.
2. Locate ceiling mounting anchors and make electrical connections (see wiring diagram).
3. Secure the luminaire body to the ceiling on a junction box or over a junction box.
4. Close luminaire lens cover.