

Noctura Series

LED Area Luminaires - Gen A

Rev. Date: V27 06/23/2026

Product Description

The Noctura® LED Area luminaire minimizes cost of ownership with easy installation, high performance and quality backed by a Cree Lighting 5-year limited warranty. The Noctura Series has a coordinated style across area, flood and wall mount luminaires to provide a consistent daytime appearance across a building site or campus. Versatile mounting configurations offer installation flexibility and ease of application for direct pole, tenon or vertical flat surface mounting.

Applications: Ideal for both retrofit and new installation: parking area, security, or site pathway applications.

Performance Summary

Lumen Output: Up to 35,600 lumens

Efficacy: Up to 155 LPW

CRI: Minimum 70 CRI

CCT: 3000K, 4000K, 5000K, 5700K

Limited Warranty*: 5 years for luminaire, mounts, backlight shields, bird spikes, and cables/1 year for remaining field-installed accessories and replacement parts

* See <https://www.creelighting.com/resources/warranties/> for warranty terms

Accessories

Field-Installed		
Backlight Shield	Bird Spikes	Button Photocell
NTA-BLSF-11L - For use with 11L only	NTA-BRDSPK-19L - For use with 19L only	JL-423CZ
NTA-BLSF-19L - For use with 19L only	NTA-BRDSPK-35L - For use with 35L only	Cable
NTA-BLSF-35L - For use with 35L only		NTX-QC-5 (120-277 Volt only)
		NTX-QC-5-U (120-480 Volt)
		- 5' (1.5m) cable replacement
		Shorting Cap
		XA-XLSLHRT

Ordering Information

Fully assembled luminaire is composed of two components that must be ordered separately:

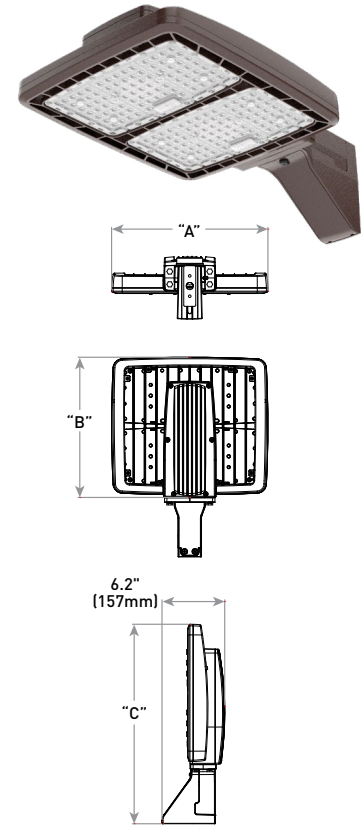
Example: **Mount:** NTA-DA-BZ-U + **Luminaire:** NTA-A-NM-T3-35L-40K-UL-BZ

Mount (Luminaire must be ordered separately)*		
Direct Arm Mounts	Adjustable Arm Mounts	Trunnion Mounts
NTA-DA-BZ-U (Bronze, 120-480 Volt)	NTX-AA-BZ-U (Bronze, 120-480 Volt)	NTX-TR-BZ-U (Bronze, 120-480 Volt)
NTA-DA-WH-U (White, 120-480 Volt)	NTX-AA-WH-U (White, 120-480 Volt)	- Trunnion Mount
- Direct Arm Mount	- Adjustable Arm Mount w/ knockout for Field-Installed Button Photocell (by others)	NTX-TR-7R-BZ-U (Bronze, 120-480 Volt)
NTX-7R-BZ-U (Bronze, 120-480 Volt)	NTX-AA-7R-BZ-U (Bronze, 120-480 Volt)	- Trunnion Mount w/NEMA® 7-pin Photocell Receptacle
- Extended Arm includes a NEMA® 7-pin Photocell Receptacle	- Adjustable Arm Mount w/NEMA® 7-pin Photocell Receptacle	
- Must be used with NTA-DA-BZ-U mount		
NTX-3R-BZ (Bronze, 120-277 Volt)		
- Extended Arm includes a NEMA® 3-pin Photocell Receptacle		
- Must be used with NTA-DA-BZ-U mount		

Note: NEMA® 3-pin and 7-pin Photocell Receptacles require photocell or shorting cap by others

* Reference EPA and pole configuration suitability data beginning on page 9

Direct Mount (NTA-DA-BZ-U)



Lumen Package	Weight**	Dim "A"	Dim "B"	Dim "C"
11L*	12.5 lbs. (5.7kg)	10.6" (269mm)	12.9" (328mm)	18.7" (476mm)
19L*	16.0 lbs. (7.3kg)	15.4" (391mm)	13.8" (351mm)	19.6" (499mm)
35L*	21.1 lbs. (9.6kg)	15.4" (391mm)	19.8" (502mm)	25.6" (650mm)

* See pages 3-5 for additional line drawings

** Includes housing & mount (for housing weight only refer to page 2)

Note: Refer to page 10 for fixture mounting drill pattern.

Luminaire (Mount must be ordered separately)***							
Family	Series	Mounting	Optic*	Lumen Package**	CCT	Voltage	Finish
Available 11L Product Combinations							
NTA	A	NM - Specify Mount from Mount Table	T3 - Type III	11L	50K	UL - 120-277V	WH - White
NTA	A	NM - Specify Mount from Mount Table	T4 - Type IV	11L	30K	UH - 347-480V	BZ - Bronze
NTA	A	DA - Includes Direct Arm	T4 - Type IV	11L	57K	UL - 120-277V	CS - Camaro Silver
NTA	A	NM - Specify Mount from Mount Table	T4 - Type IV	11L	50K	UL - 120-277V	WH - White
NTA	A	NM - Specify Mount from Mount Table	T5 - Type V	11L	40K	UL - 120-277V	WH - White
Available 19L Product Combinations							
NTA	A	NM - Specify Mount from Mount Table	T4 - Type IV	19L	40K	UL - 120-277V	BZ - Bronze
Available 35L Product Combinations							
NTA	A	NM - Specify Mount from Mount Table	T3 - Type III	35L	40K	UL - 120-277V	BZ - Bronze
NTA	A	NM - Specify Mount from Mount Table	T4 - Type IV	35L	40K	UL - 120-277V	BZ - Bronze
NTA	A	NM - Specify Mount from Mount Table	T4 - Type IV	35L	40K	UL - 120-277V	WH - White

* Available with Backlight Shield when ordered with field-installed accessory (see table above)

** Lumen Package codes identify approximate light output only. Actual lumen output levels may vary depending on CCT and optic selection. Refer to Initial Delivered Lumen tables for specific lumen values

*** Note: Limited product availability. Consult factory for availability



Website: creelighting.com

US: (800) 236-6800 Canada: (800) 473-1234

CREE ⇄ **LIGHTING**

Product Specifications

CONSTRUCTION & MATERIALS

- Slim, low profile design minimizes wind load requirements
- Luminaire housing is rugged die cast aluminum with weathertight integral LED driver compartment which is specifically designed for advanced LED thermal management
- Housing and mounting accessories finished in bronze polyester powder coat paint, 2.5 mil nominal thickness
- Mounting options include: adjustable arm w/knockout provision for field-installed button type photocell (by others), adjustable arm w/NEMA® 7-pin photocell receptacle, trunnion mount, trunnion mount w/NEMA® 7-pin photocell receptacle, and direct arm mount
- Extension arm accessory for direct arm mount with a NEMA® 3-pin or 7-pin photocell receptacle
- Photocell or shorting cap by others
- Adjustable arm mount is constructed of rugged die cast aluminum and mounts to 2" (51mm) IP, 2.375" (60mm) O.D. tenons. It includes tooth lock aiming that can be adjusted from 0° (horizontal) to 45° in 5° increments
- Trunnion mount features rugged steel construction, mounts to vertical flat surfaces, and can be adjusted from 0° (horizontal) to 45° in 15° increments
- Direct arm is constructed of rugged die cast aluminum and mounts to 3-6" (76-152mm) square poles or 4-5" (102-127mm) round poles with (2) 5/16" bolts
- Mount secures to luminaire housing with (4) 5/16" bolts and lock washers (included)
- Designed for downlight applications only, 45-degree tilt maximum
- **Housing Weight:** 11L-8.6 lbs. (3.9kg); 19L-12.1 lbs. (5.5kg); 35L-17.2 lbs. (7.8kg)

OPTICS

- Mid-power LED array Area optics are available in IES Type III, IV and V distributions for 3000K, 4000K, 5000K, or 5700K CCT with a minimum of 70 CRI. Efficacies up to 155 LPW for minimal energy consumption. Backlight shields are available for light trespass and glare control

ELECTRICAL SYSTEM

- **Input Voltage:** 120-277V or 347-480V (11L only), 50/60Hz
- **Power Factor:** > 0.9 at full load
- **Total Harmonic Distortion:** < 20% at full load
- Integral 10kV/5kA surge suppression protection standard
- When code dictates fusing, a slow blow fuse or type C/D breaker should be used to address inrush current
- Quick connect supply cord makes installation easy
- Designed with 0-10V dimming capabilities. Controls by others
- **10V Source Current:** 0.20 mA
- **Operating Temperature Range:** -30°C - +40°C (-22°F - +104°F)

REGULATORY & VOLUNTARY QUALIFICATIONS

- cULus Listed (UL1598)
- Suitable for wet locations
- Meets NEMA C82.77 standards
- Drivers and LEDs are UL Recognized in accordance with UL8750
- Enclosure meets IP66 requirements per IEC 60529
- Direct and adjustable arms are certified to ANSI C136.31-2018, 3G vibration standards. Trunnion mounts are certified to ANSI C136.31-2001, 1.5G vibration standards
- ANSI C136.2 10kV/5kA surge protection, tested in accordance with IEEE/ANSI C62.41.2
- Meets FCC Part 15, Subpart B, Class A limits for conducted and radiated emissions
- RoHS compliant. Consult factory for additional details
- **CA RESIDENTS WARNING:** Cancer and Reproductive Harm – www.p65warnings.ca.gov

Electrical Data*							
Lumen Package	System Watts 120-480V**	Total Current (A)					
		120V	208V	240V	277V	347V	480V
11L	75	0.75	0.40	0.35	0.30	0.24	0.17
19L	130	1.30	0.75	0.65	0.56	0.45	0.33
35L	230	2.30	1.33	1.15	1.00	N/A	N/A

* Electrical data at 25°C (77°F). Actual wattage may differ by +/- 10% when operating between 120-480V +/-10%.
 ** 347-480V available only with 11L lumen package.

Noctura Series Ambient Adjusted Lumen Maintenance ¹					
Ambient	Initial LMF	25K hr Reported ² LMF	50K hr Reported ² LMF	75K hr Estimated ³ LMF	100K hr Estimated ³ LMF
5°C (41°F)	1.04	0.98	0.92	0.87	0.82
10°C (50°F)	1.03	0.97	0.91	0.86	0.81
15°C (59°F)	1.02	0.96	0.91	0.85	0.80
20°C (68°F)	1.01	0.95	0.90	0.84	0.79
25°C (77°F)	1.00	0.94	0.89	0.83	0.79
30°C (86°F)	0.99	0.93	0.88	0.83	0.78
35°C (95°F)	0.98	0.93	0.87	0.82	0.77
40°C (104°F)	0.97	0.92	0.86	0.81	0.76

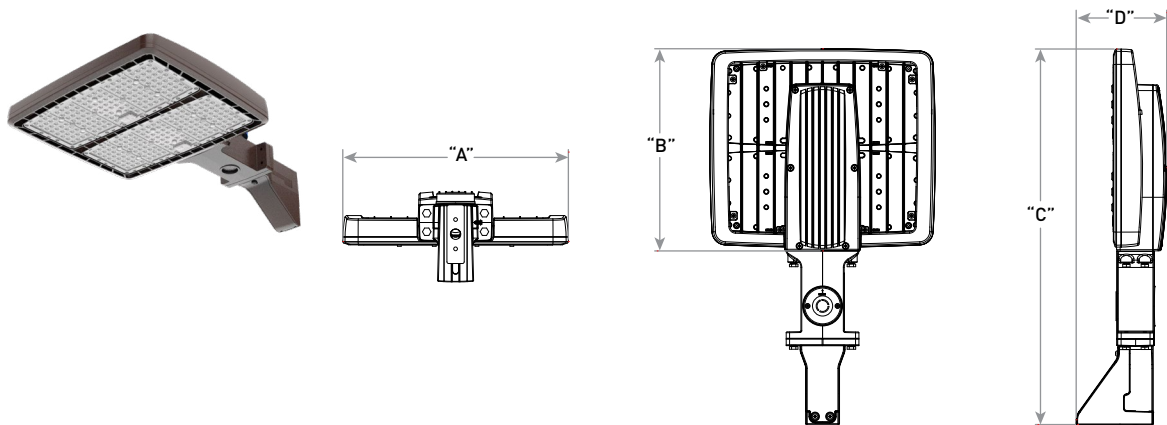
¹ Lumen maintenance values at 25°C (77°F) are calculated per IES TM-21 based on IES LM-80 report data for the LED package and in-situ luminaire testing. Luminaire ambient temperature factors (LATF) have been applied to all lumen maintenance factors. Please refer to the [Temperature Zone Reference Document](#) for outdoor average nighttime ambient conditions.

² In accordance with IES TM-21, Reported values represent interpolated values based on time durations that are up to 6x the tested duration in the IES LM-80 report for the LED.

³ Estimated values are calculated and represent time durations that exceed the 6x test duration of the LED.

Noctura® LED Area Luminaire

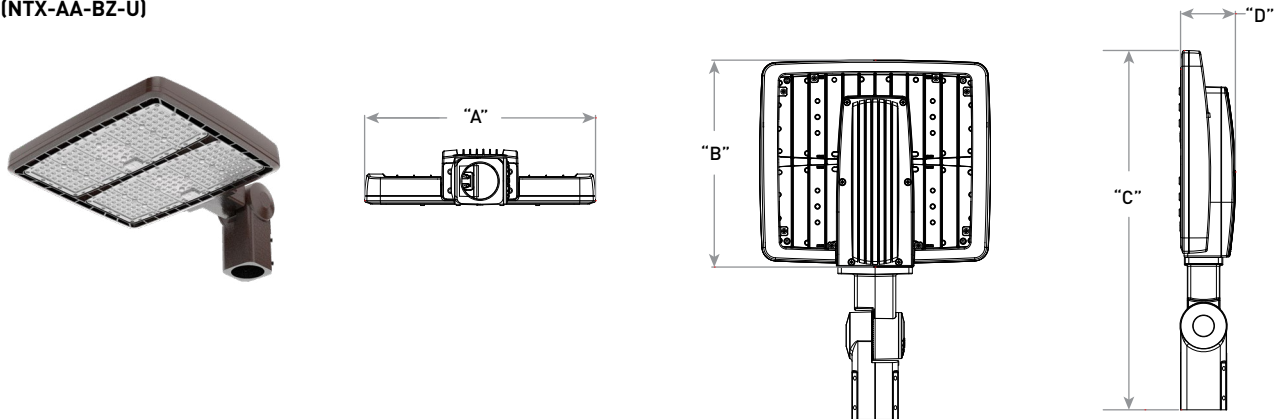
19L
Direct Mount w/ Extended Arm, NEMA® 3-Pin or 7-pin Photocell Receptacle
(NTA-DA-BZ-U w/ NTX-3R-BZ or NTX-7R-BZ-U)



Lumen Package	Weight*	Dim "A"	Dim "B"	Dim "C"	Dim "D"
11L	15.0 lbs. (6.8kg)	10.6" (269mm)	12.9" (327mm)	24.7" (628mm)	6.2" (157mm)
19L	18.4 lbs. (8.4kg)	10.6" (269mm)	13.8" (350mm)	25.6" (651mm)	6.2" (157mm)
35L	23.5 lbs. (10.7kg)	15.4" (391mm)	19.8" (502mm)	31.5" (801mm)	6.2" (158mm)

* Includes housing & mount (for housing weight only refer to page 2)

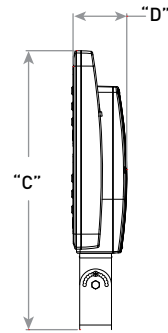
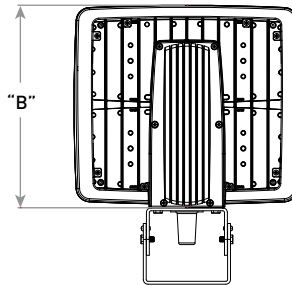
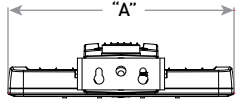
19L
Adjustable Arm Mount w/Knockout for Field-Installed Button Photocell (by others)
(NTX-AA-BZ-U)



Lumen Package	Weight	Dim "A"	Dim "B"	Dim "C"	Dim "D"
11L	12.3 lbs. (5.6kg)	10.6" (269mm)	12.9" (327mm)	23.0" (585mm)	3.6" (92mm)
19L	15.8 lbs. (7.2kg)	15.4" (391mm)	13.8" (350mm)	23.9" (608mm)	3.7" (93mm)
35L	20.9 lbs. (9.5kg)	15.4" (391mm)	19.8" (502mm)	29.9" (760mm)	3.8" (95mm)

* Includes housing & mount (for housing weight only refer to page 2)

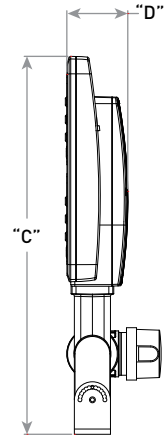
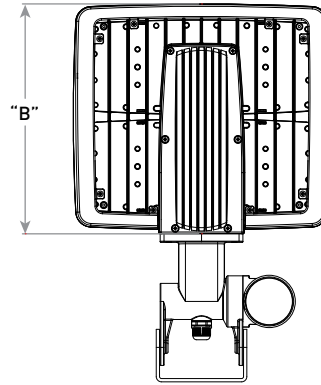
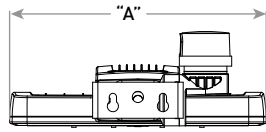
**35L
Trunnion Mount
(NTX-TR-BZ-U)**



Lumen Package	Weight*	Dim "A"	Dim "B"	Dim "C"	Dim "D"
11L	11.7 lbs. (5.3kg)	10.6" (269mm)	12.9" (327mm)	18.1" (459mm)	3.6" (92mm)
19L	15.2 lbs. (6.9kg)	15.4" (391mm)	13.8" (350mm)	19.0" (482mm)	3.7" (93mm)
35L	20.3 lbs. (9.2kg)	15.4" (391mm)	19.7" (502mm)	25.0" (634mm)	3.7" (93mm)

* Includes housing & mount (for housing weight only refer to page 2)

19L
Trunnion Mount w/NEMA® 7-pin Photocell Receptacle
(NTX-TR-7R-BZ-U)



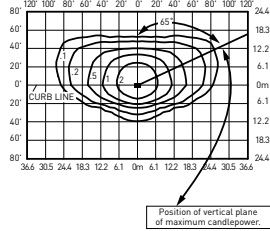
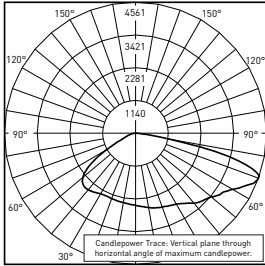
Lumen Package	Weight*	Dim "A"	Dim "B"	Dim "C"	Dim "D"
11L	12.8 lbs. (5.8kg)	10.7" (273mm)	12.9" (327mm)	21.8" (553mm)	3.6" (92mm)
19L	16.2 lbs. (7.3kg)	15.4" (391mm)	13.8" (350mm)	22.7" (576mm)	3.7" (93mm)
35L	21.3 lbs. (9.7kg)	15.4" (391mm)	19.8" (502mm)	28.6" (727mm)	3.7" (94mm)

* Includes housing & mount (for housing weight only refer to page 2)

Photometry

All published luminaire photometric testing performed to IES LM-79 standards. To obtain an IES file specific to your project consult: <http://www.creelighting.com/products/outdoor/area/noctura-area>

T3



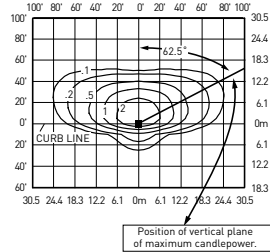
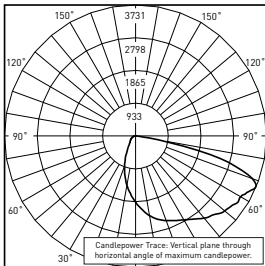
RESTL Test Report #: PL14468-001A
 NTA-A-NM-T3-11L-40K-UL-**
Initial Delivered Lumens: 10,914

NTA-A-NM-T3-11L-40K-UL-BZ
Mounting Height: 25' (7.6m) A.F.G.
Initial Delivered Lumens: 11,475
 Initial FC at grade

Type III Medium Distribution			
Lumen Package	Initial Delivered Lumens*	BUG Ratings** Per TM-15-20	Efficacy (LPW)
11L	11,475 (5000K)	B3 U0 G2	153
35L	35,600 (4000K)	B4 U0 G3	155

* Initial delivered lumens at 25°C (77°F). Actual production yield may vary between -10 and +10% of initial delivered lumens
 ** For more information on the IES BUG (Backlight-Uplight-Glare) Rating visit: <https://www.ies.org/wp-content/uploads/2017/03/TM-15-11BUGRatingsAddendum.pdf>. Valid with no tilt

T3 w/BLS



RESTL Test Report #: PL14469-001A
 NTA-A-NM-T3-11L-40K-UL-** w/NTA-BLSF-11L
Initial Delivered Lumens: 7,236

NTA-A-NM-T3-11L-40K-UL-BZ w/NTA-BLSF-11L
Mounting Height: 25' (7.6m) A.F.G.
Initial Delivered Lumens: 7,575
 Initial FC at grade

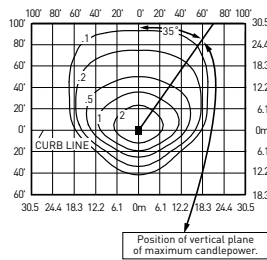
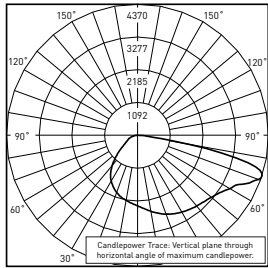
Type III Medium w/BLS Distribution			
Lumen Package	Initial Delivered Lumens*	BUG Ratings** Per TM-15-20	Efficacy (LPW)
11L	7,575 (5000K)	B1 U0 G1	101
35L	23,500 (4000K)	B3 U0 G3	102

* Initial delivered lumens at 25°C (77°F). Actual production yield may vary between -10 and +10% of initial delivered lumens
 ** For more information on the IES BUG (Backlight-Uplight-Glare) Rating visit: <https://www.ies.org/wp-content/uploads/2017/03/TM-15-11BUGRatingsAddendum.pdf>. Valid with no tilt

Photometry

All published luminaire photometric testing performed to IES LM-79 standards. To obtain an IES file specific to your project consult: <http://www.creelighting.com/products/outdoor/area/noctura-area>

T4



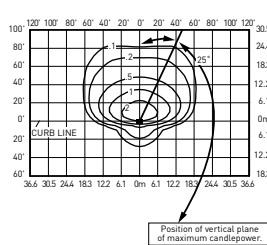
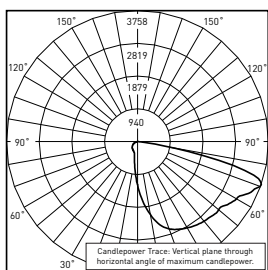
RESTL Test Report #: PL14470-001A
NTA-A-NM-T4-11L-40K-UL-*
Initial Delivered Lumens: 10,892

NTA-A-NM-T4-11L-40K-UL-BZ
Mounting Height: 25' (7.6m) A.F.G.
Initial Delivered Lumens: 11,475
 Initial FC at grade

Type IV Medium Distribution						
Lumen Package	3000K			4000K/5000K/5700K		
	Initial Delivered Lumens*	BUG Ratings** Per TM-15-20	Efficacy (LPW)	Initial Delivered Lumens*	BUG Ratings** Per TM-15-20	Efficacy (LPW)
11L	10,725	B2 U0 G2	143	11,475 (5000K/5700K)	B2 U0 G2	153
19L	N/A	N/A	N/A	19,200 (4000K)	B3 U0 G3	148
35L	N/A	N/A	N/A	35,600 (4000K)	B4 U0 G4	155

* Initial delivered lumens at 25°C (77°F). Actual production yield may vary between -10 and +10% of initial delivered lumens
 ** For more information on the IES BUG [Backlight-Uplight-Glare] Rating visit: <https://www.ies.org/wp-content/uploads/2017/03/TM-15-11BUGRatingsAddendum.pdf>. Valid with no tilt

T4 w/BLS



RESTL Test Report #: PL14471-001A
NTA-A-NM-T4-11L-40K-UL-* w/NTA-BLSF-11L
Initial Delivered Lumens: 7,186

NTA-A-NM-T4-11L-40K-UL-BZ w/NTA-BLSF-11L
Mounting Height: 25' (7.6m) A.F.G.
Initial Delivered Lumens: 7,575
 Initial FC at grade

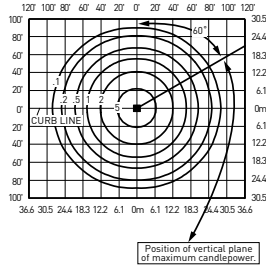
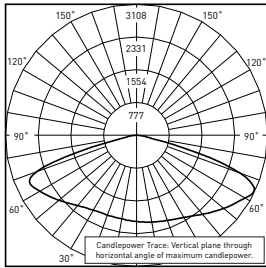
Type IV Medium w/BLS Distribution						
Lumen Package	3000K			4000K/5000K/5700K		
	Initial Delivered Lumens*	BUG Ratings** Per TM-15-20	Efficacy (LPW)	Initial Delivered Lumens*	BUG Ratings** Per TM-15-20	Efficacy (LPW)
11L	7,075	B1 U0 G2	94	7,575 (5000K/5700K)	B1 U0 G2	101
19L	N/A	N/A	N/A	19,200 (4000K)	B1 U0 G2	98
35L	N/A	N/A	N/A	35,600 (4000K)	B2 U0 G3	102

* Initial delivered lumens at 25°C (77°F). Actual production yield may vary between -10 and +10% of initial delivered lumens
 ** For more information on the IES BUG [Backlight-Uplight-Glare] Rating visit: <https://www.ies.org/wp-content/uploads/2017/03/TM-15-11BUGRatingsAddendum.pdf>. Valid with no tilt

Photometry

All published luminaire photometric testing performed to IES LM-79 standards. To obtain an IES file specific to your project consult: <http://www.creelighting.com/products/outdoor/area/noctura-area>

T5



Ningbo TengLi Testing Co. Test Report #:
 STD190155NB-LD-R-R
 NTA-A-NM-T5-11L-30K-UL-**
Initial Delivered Lumens: 11,626

NTA-A-NM-T5-35L-40K-UL-BZ
Mounting Height: 25' (7.6m) A.F.G.
Initial Delivered Lumens: 35,600
 Initial FC at grade

Type V Medium Distribution			
Lumen Package	Initial Delivered Lumens*	BUG Ratings** Per TM-15-20	Efficacy (LPW)
11L	11,475 (4000K)	B3 U0 G2	153

* Initial delivered lumens at 25°C (77°F). Actual production yield may vary between -10 and +10% of initial delivered lumens
 ** For more information on the IES BUG (Backlight-Uplight-Glare) Rating visit: <https://www.ies.org/wp-content/uploads/2017/03/TM-15-11BUGRatingsAddendum.pdf>. Valid with no tilt

Luminaire EPA

Adjustable Arm Mount - NTX-AA-BZ-U w/housing Weight: 11L: 12.3 lbs. (5.6kg); 19L: 15.8 lbs. (7.2kg); 35L: 20.9 lbs. (9.5kg); Add 1.1lbs. (0.5kg) for NTX-AA-7R-BZ-U mount								
Lumen Package	Single	2 @ 90°	2 @ 180°	3 @ 90°	3 @ 120°	3 @ 180°	4 @ 90°	4 @ 180°
Tenon Configuration Single [0°-45° Tilt]: If used with Cree Lighting tenons, please add tenon EPA with Luminaire EPA								
	PB-1A*; PT-1; PW-1A3**	PB-2A*; PB-2R2.375; PD-2A4(90); PT-2(90)*	PB-2A*; PB-2R2.375; PD-2A4(180); PT-2(180); PW-2A3**	PB-3A*; PB-7R2.375; PD-3A4(90); PT-3(90)	PB-3A*; PB-7R2.375; PT-3(120)	PB-3A*; PB-7R2.375	PB-4A*(90); PB-4R2.375; PD-4A4(90); PT-4(90)	PB-4A*(180); PB-4R2.375
0° Tilt								
11L	0.56	1.12	1.12	1.49	1.49	1.49	1.86	1.86
19L	0.59	1.18	1.18	1.69	1.69	1.69	2.20	2.20
35L	0.77	1.54	1.54	2.06	2.06	2.06	2.58	2.58
10° Tilt								
11L	0.56	1.12	1.12	1.66	1.66	1.66	2.20	2.20
19L	0.75	1.50	1.50	2.25	2.25	2.25	3.00	3.00
35L	0.87	1.74	1.74	2.63	2.63	2.63	3.48	3.48
20° Tilt								
11L	0.67	1.34	1.34	2.01	2.01	2.01	2.68	2.68
19L	0.96	1.92	1.92	2.88	2.88	2.88	3.84	3.84
35L	1.17	2.34	2.34	3.51	3.51	3.51	4.68	4.68
30° Tilt								
11L	0.77	1.54	1.54	2.31	2.31	2.31	3.08	3.08
19L	1.10	2.20	2.20	3.30	3.30	3.30	4.40	4.40
35L	1.39	2.78	2.78	4.17	4.17	4.17	5.56	5.56
45° Tilt								
11L	0.86	1.72	1.72	2.58	2.58	2.58	3.44	3.44
19L	1.23	2.46	2.46	3.69	3.69	3.69	4.92	4.92
35L	1.60	3.20	3.20	4.80	4.80	4.80	6.40	6.40

* Specify pole size: 3 (3"), 4 (4"), 5 (5"), or 6 (6") for single, double or triple luminaire orientation or 4 (4"), 5 (5"), or 6 (6") for quad luminaire orientation
 ** These EPA values must be multiplied by the following ratio: Fixture Mounting Height/Total Pole Height. Specify pole size: 3 (3"), 4 (4"), 5 (5"), or 6 (6")

Tenon EPA

Part Number	EPA
PB-1A*	None
PB-2A*	0.82
PB-3A*	1.52
PB-4A*(180)	2.22
PB-4A*(90)	1.11
PB-2R2.375	0.92
PB-7R2.375	1.62
PB-4R2.375	2.32
PD Series Tenons	0.09
PT Series Tenons	0.10
PW-1A3**	0.47
PW-2A3**	0.94
WM-2	0.08
WM-4	0.25



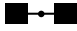


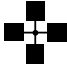
* Specify pole size: 3 (3"), 4 (4"), 5 (5"), or 6 (6") for single, double or triple luminaire orientation or 4 (4"), 5 (5"), or 6 (6") for quad luminaire orientation
 ** These EPA values must be multiplied by the following ratio: Fixture Mounting Height/Total Pole Height. Specify pole size: 3 (3"), 4 (4"), 5 (5"), or 6 (6")

Tenons and Brackets[‡] (must specify color)	
<p>Square Internal Mount Vertical Tenons (Steel) - Mounts to 3-6" (76-152mm) square aluminum or steel poles</p> <p>PB-1A* - Single PB-4A*(90) - 90° Quad PB-2A* - 180° Twin PB-4A*(180) - 180° Quad PB-3A* - 180° Triple</p> <p>Square Internal Mount Horizontal Tenons (Aluminum) - Mounts to 4" (102mm) square aluminum or steel poles</p> <p>PD-2A4(90) - 90° Twin PD-3A4(90) - 90° Triple PD-2A4(180) - 180° Twin PD-4A4(90) - 90° Quad</p> <p>Wall Mount Brackets - Mounts to wall or roof</p> <p>WM-2 - Horizontal for NTX-AA mounts WM-4 - L-Shape for NTX-AA mounts</p>	<p>Round External Mount Vertical Tenons (Steel) - Mounts to 2.375" (60mm) O.D. round aluminum or steel poles or tenons</p> <p>PB-2R2.375 - Twin PB-4R2.375 - Quad PB-7R2.375 - Triple</p> <p>Round External Mount Horizontal Tenons (Aluminum) - Mounts to 2.375" (60mm) O.D. round aluminum or steel poles or tenons</p> <p>- Mounts to square pole with PB-1A* tenon</p> <p>PT-1 - Single (Vertical) PT-3(90) - 90° Triple PT-2(90) - 90° Twin PT-3(120) - 120° Triple PT-2(180) - 180° Twin PT-4(90) - 90° Quad</p> <p>Mid-Pole Bracket - Mounts to square pole</p> <p>PW-1A3** - Single PW-2A3** - Double</p> <p>Ground Mount Post - For ground-mounted flood luminaires PGM-1 - for NTX-AA mounts</p>

[‡] Refer to the [Bracket and Tenons spec sheet](#) for more details

Luminaire EPA

Direct Arm Mount - NTA-DA-BZ-U w/housing Weight: 11L: 12.5 lbs. (5.7kg); 19L: 16.0 lbs. (7.3kg); 35L: 21.1 lbs. (9.6kg); Add 2.4 lbs. (1.1kg) for NTX-3R-BZ or NTX-7R-BZ-U Extended Arms

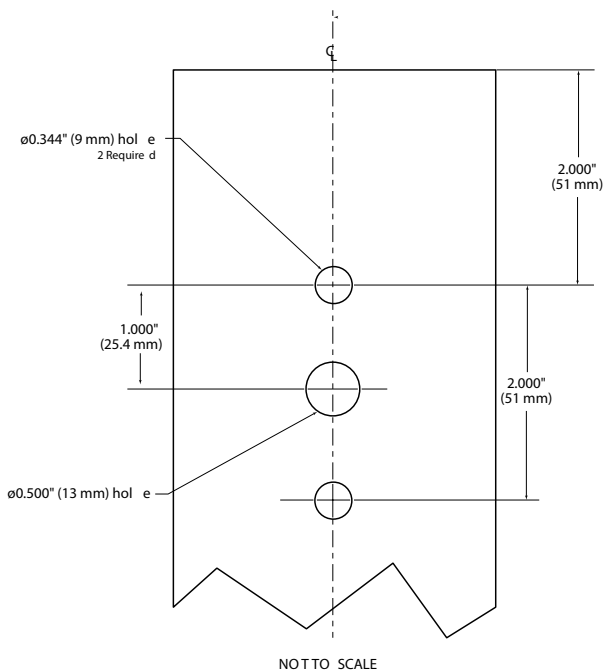
Lumen Package	Single	2 @ 90°	2 @ 180°	3 @ 90°	3 @ 120°	4 @ 90°
						
11L	0.50	0.83	1.00	1.33	1.00	1.66
19L	0.54	1.01	1.08	1.55	1.31	2.02
35L	0.71	1.19	1.44	1.90	1.58	2.38

Direct Mount Configurations

Compatibility with NTA-DA-BZ-U and NTA-DA-BZ-U w/ NTX-3R-BZ or NTX-7R-BZ-U Direct Arm Mounts

Lumen Package	2 @ 90°	2 @ 180°	3 @ 90°	3 @ 120°	4 @ 90°
3" Square					
All	✓	✓	✓	N/A	✓
4" Square					
All	✓	✓	✓	N/A	✓
4" Round					
All	✓	✓	✓	✓	✓
5" Square					
All	✓	✓	✓	N/A	✓
5" Round					
All	✓	✓	✓	✓	✓
6" Square					
All	✓	✓	✓	N/A	✓

Fixture Mounting Drill Pattern for NTA-DA-BZ-U



Replacement Parts

Driver Replacement Kits		
Product	Lumen Package	Voltage*
NTA-A-DVRKT		UL
NTA-A-DVRKT	11L 11,475 lumens	UL Universal 120-277V
	19L 19,200 lumens	
	35L 35,600 lumens	

* Consult factory for UH (347-480V).