

LED LINEAR HIGH BAY

Installation Instructions

MODEL NUMBERS: 102-70400013-1 / 102-70400014-1 / 102-70400015-1 / 102-70400016-1

IMPORTANT SAFETY INFORMATION

Read this entire manual before attempting installation or operation.

This fixture is designed to operate with either 120–277VAC or 277–480VAC. Installation must follow all local and national electrical codes.

GENERAL SAFETY PRECAUTIONS

- Installation must comply with all local and national electrical codes.
- Installation and servicing must be performed by a qualified, licensed electrician.
- Turn off power at the circuit breaker before installation or maintenance.
- Do not install a damaged product.
- Fixture must be properly grounded.
- Use UL-listed connectors and minimum 90°C supply conductors.

FCC COMPLIANCE NOTICE

- This device complies with Part 15 of the FCC Rules. Operation is subject to:
 - This device may not cause harmful interference.
 - This device must accept any interference received.
- Modifying this product without manufacturer approval may void your authority to operate the equipment.

CAUTION

- Do not test the LED light using a portable generator.
- Follow all local, regional, and national regulations.
- Do not install during rain or in wet conditions to prevent shock or damage.
- Use gloves and safety glasses to avoid injury.
- Allow unit to cool before handling.
- This fixture is suitable for indoor high-bay installations only.

LED LINEAR HIGH BAY

Installation Instructions

PRODUCT FUNCTIONALITY & WIRING

PART	DESCRIPTION	QTY
A	Linear High Bay Fixture	1
B	Mounting Chain / Brackets	2
C	Wire Connectors (UL)	3

TOOLS REQUIRED (NOT INCLUDED):

- Safety Glasses
- Ladder
- Screwdriver / Drill
- Wire Stripper
- Silicone Sealant

INSTALLATION STEPS

NOTE: Ensure power is turned off at the breaker panel before beginning installation.

STEP 1: POWER OFF

- Ensure circuit breaker is off before installation

STEP 2: MOUNTING OPTIONS

- Choose from the following:

A. Chain/Cable Mounting (Fig. A)

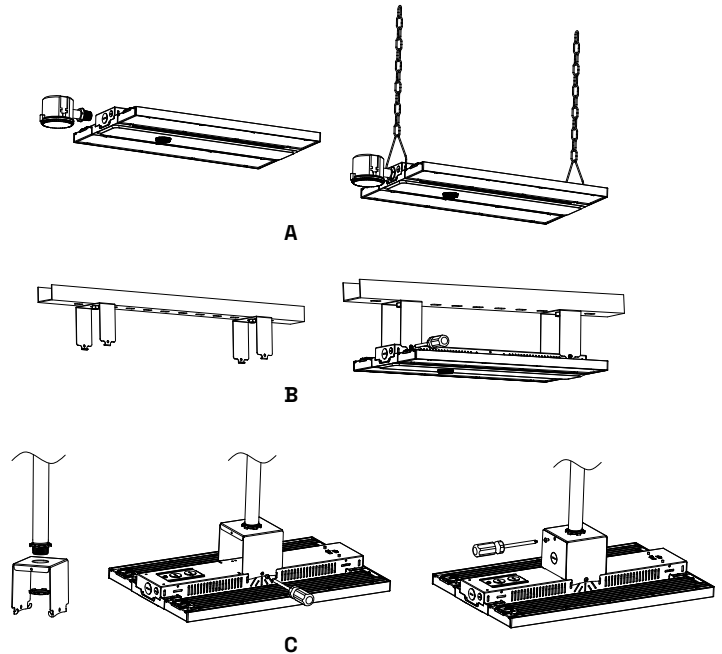
- Hook and secure chain to fixture and support rail.
- Adjust chain length as needed.

B. Surface Mount (Fig. B)

- Fix bracket to ceiling.
- Mount fixture to bracket and secure with screws.

C. 3/4" NPT Pipe Mount (Fig. C)

- Mount fixture using threaded fitting.
- Lock side brackets securely.



STEP 3: WIRING CONNECTIONS

- Connect supply wires:

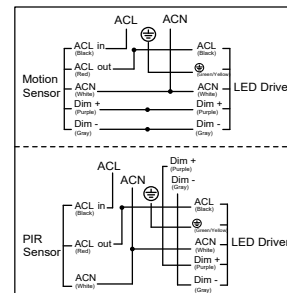
- Black (Line)
- White (Neutral)
- Green/Yellow (Ground)

Seal connections with silicone to prevent moisture.

STEP 4: LOCK HOUSING

- Ensure all connections are secure and the fixture is tightly closed.

Wiring Diagram



LED LINEAR HIGH BAY

Installation Instructions

FIELD ADJUSTMENTS

CCT & Wattage Selector Switch

Use selector switch on fixture side for:

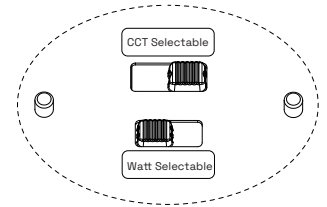
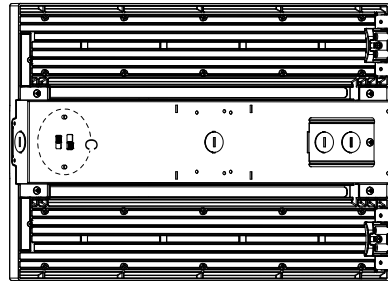
- Color temperature (CCT)
- Wattage level

Default: 4000K / Max wattage

Dimming Options (choose one)

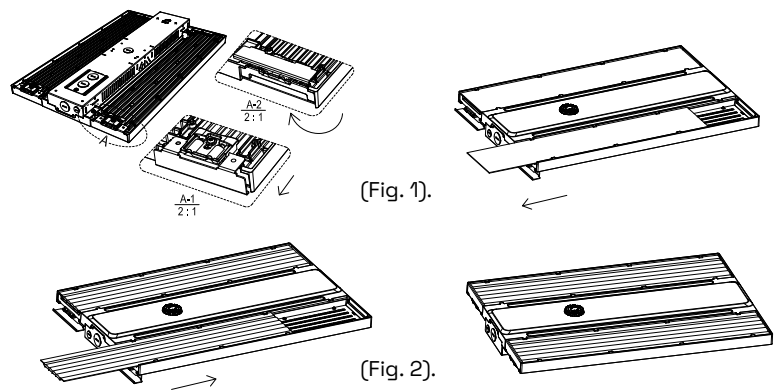
- 0-10VDC
- PWM Signal
- Resistance Unit

NOTE: Do not use dimming if equipped with motion sensor.



LENS REPLACEMENT IN FIELD

- Open lens retaining plate using clasp (Fig. 1).
- Replace lens and secure in place (Fig. 2).



OPTIONAL ACCESSORIES

Motion / PIR Sensor

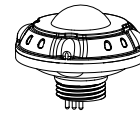
- Connect via plug-in socket.
- Adjust working mode via remote control.

Backup Driver

- Assemble to rear bracket and wire through junction box.

Wire Guard

- Secure to fixture with screws.



LED LINEAR HIGH BAY

Installation Instructions

USAGE, CARE & MAINTENANCE

- Use gloves and safety glasses during servicing.
- Avoid direct exposure to light while energized.
- Clean with dry cloth. Do not use chemicals.
- Regularly inspect for moisture or loose wiring.

WARRANTY

5-Year Limited Warranty

This product is warranted against manufacturing defects for 5 years from the purchase date.

Excludes:

- Improper installation
- Unauthorized modifications or use
- Environmental damage (moisture, corrosion, power surges)

Note: Proof of purchase is required for all warranty claims.

RETAIN THIS MANUAL FOR FUTURE USE